

feather & black

Oliver Bunk Bed

IMPORTANT - READ CAREFULLY - RETAIN FOR FUTURE REFERENCE

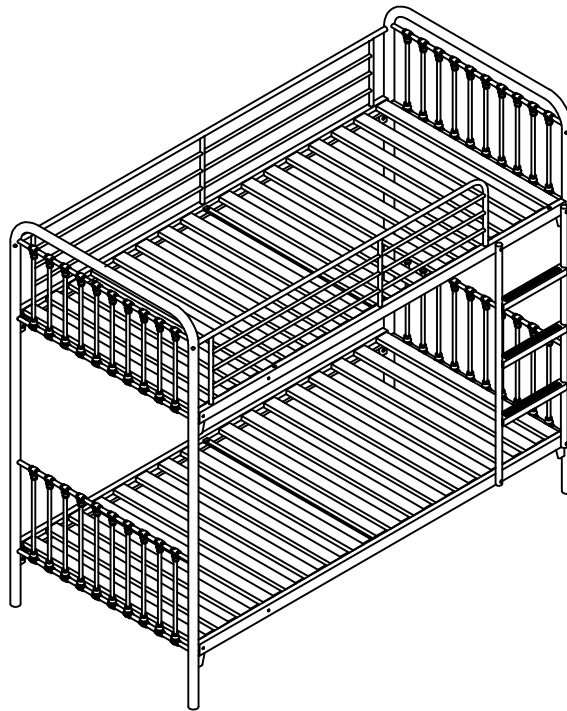
- Read all instructions before assembly. KEEP INSTRUCTIONS FOR FUTURE USE
 - Save all packing materials until assembly is complete to avoid accidentally discarding any fittings.
 - All assembly fastenings should always be tightened properly and care should be taken that no fittings are loose.
 - To clean, slightly moisten cloth with water and wipe surfaces. A damp cloth holds dust and prevents damage. Repeat with a dry, soft, lint-free cloth.
 - Do not use abrasives or cleaning products which may contain ammonia or solvents.
 - Maximum thickness of mattress to be used on this bed: **160mm**, the top of the mattress shall NOT come above the line marked on the bed. Suggested mattress size 900mm x 1900mm.
 - Please do not use this bed if any structural parts are damaged or missing.
 - The upper bunk is not suitable to be used by children under 6 years. Be aware of the dangers of young children / under 6 falling from the upper bunk.
 - Children can be strangled by ropes, strings, cords, harnesses, belts or any other such item attached to or hang from this bunk bed.
 - WARNING “ Children can become trapped between the bed and wall to avoid Risk of serious injury the distance between the top safety barrier and the wall shall not exceed 75mm or shall be more than 230 mm ”.
 - This bed conforms to BS EN 747-1 & 2:2012.
 - THIS BED IS SUPPLIED BY : FURNTEC LTD.
-
- TOOLS REQUIRED:
 - Please use Allen key



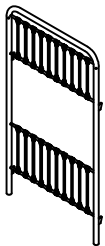
Oliver Bunk Bed

Feather & Black

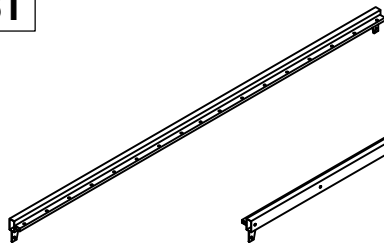
(Keep these instructions for future reference.)



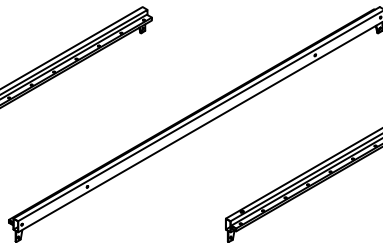
PARTS LIST



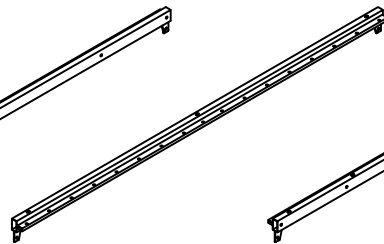
① x 2pcs



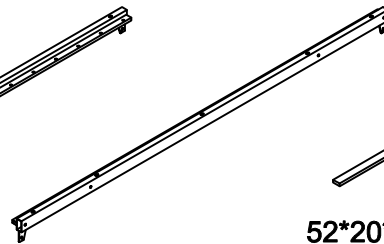
② x 1pc



③ x 1pc



④ x 1pc



⑤ x 1pc

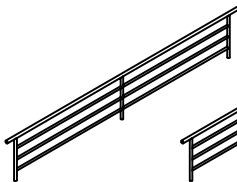


52*20*896

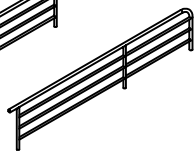
⑥ x 32pcs



⑦ x 2pcs



⑧ x 1pc



⑨ x 1pc



⑩ x 1pc

HARDWARE LIST



① 1/4"*65mm=6pcs



② 1/4"*55mm=3pcs



③ 1/4"*38mm=4pcs



④ 1/4"*25mm=64pcs



⑤ 1/4"*32mm=4pcs



⑥ 1/4"*9mm=8pcs

⑦ 82pcs



⑧ 3pcs



① 1/4"=4pcs



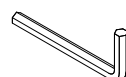
② 2pcs



③ 4pcs



④ 4pcs

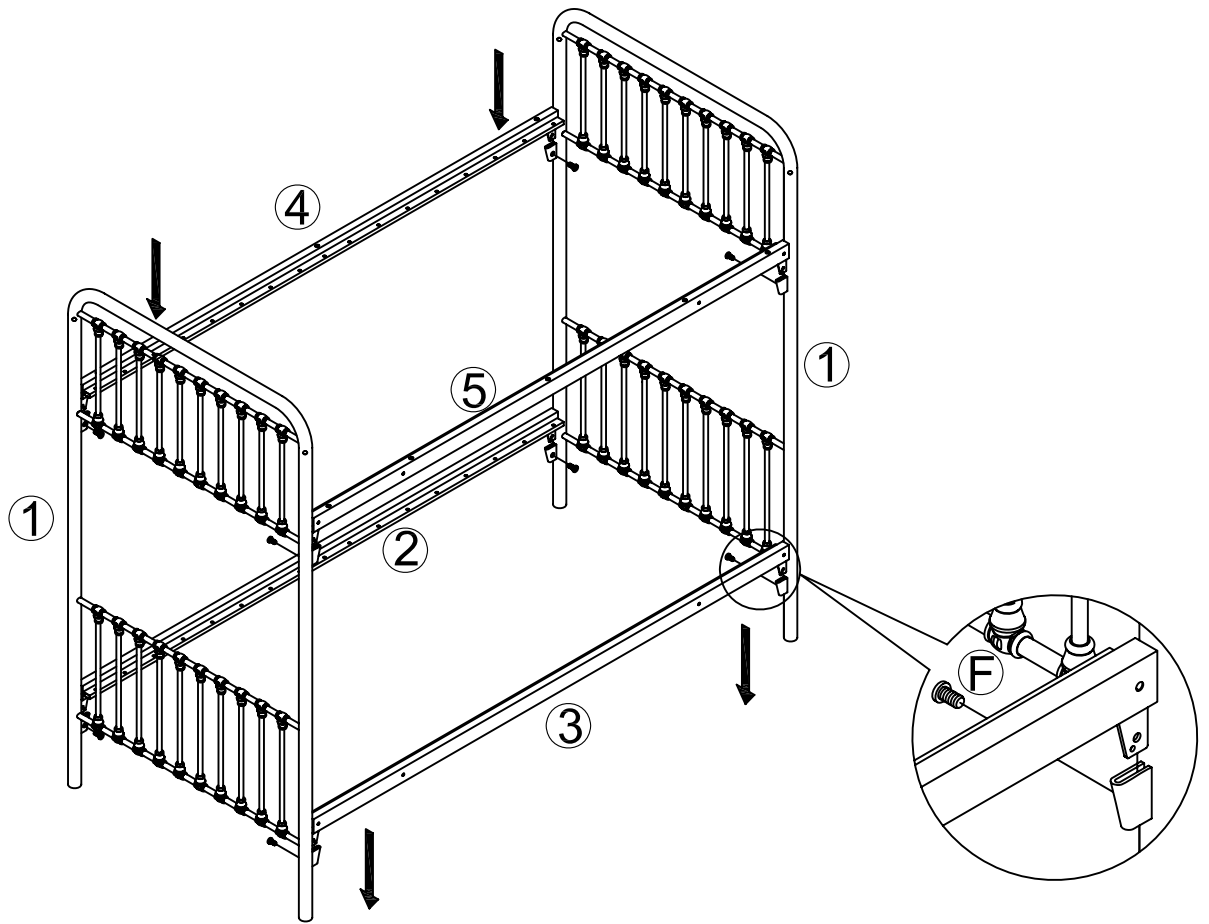


⑤ 1pc

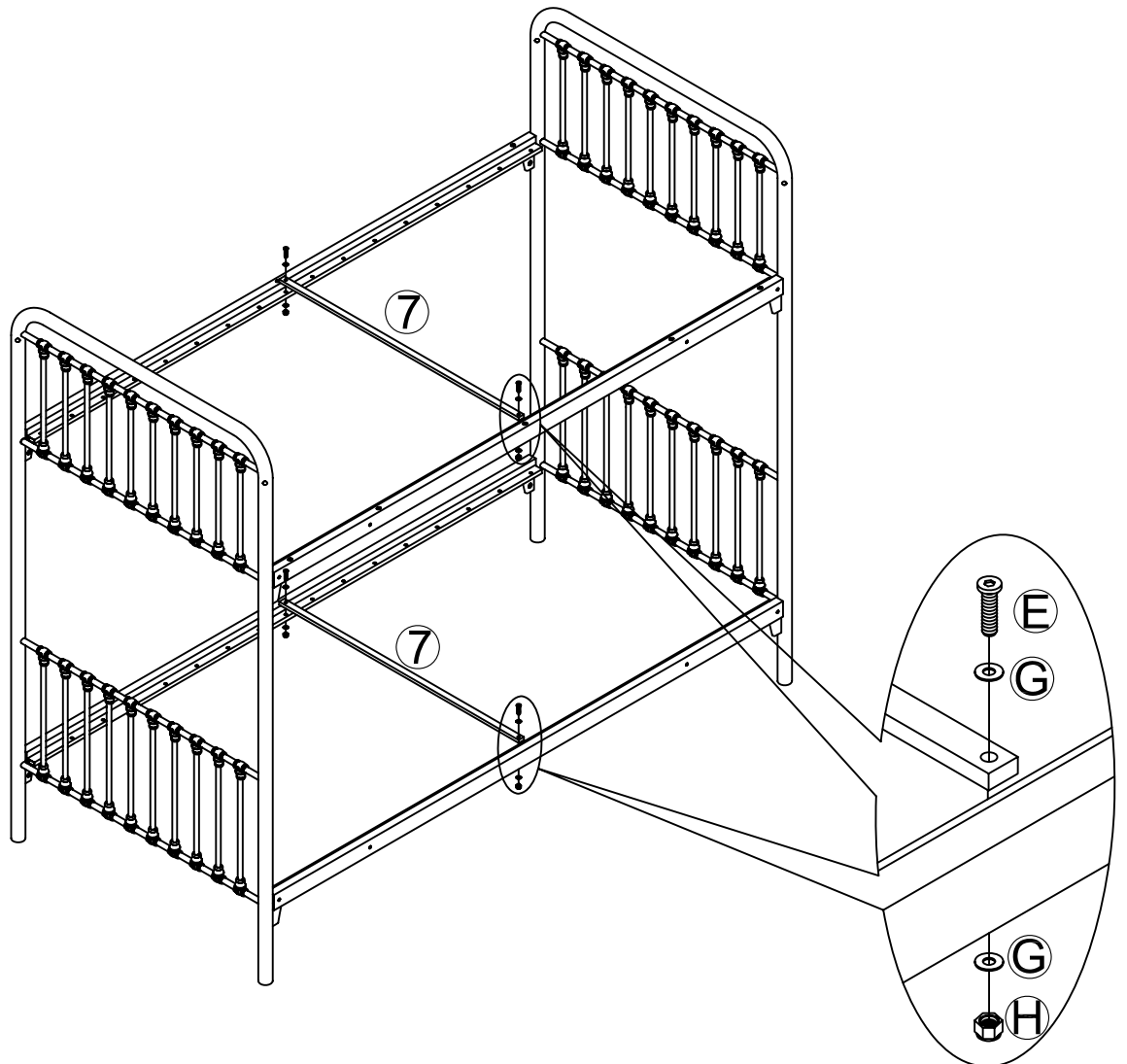


⑥ 1pc

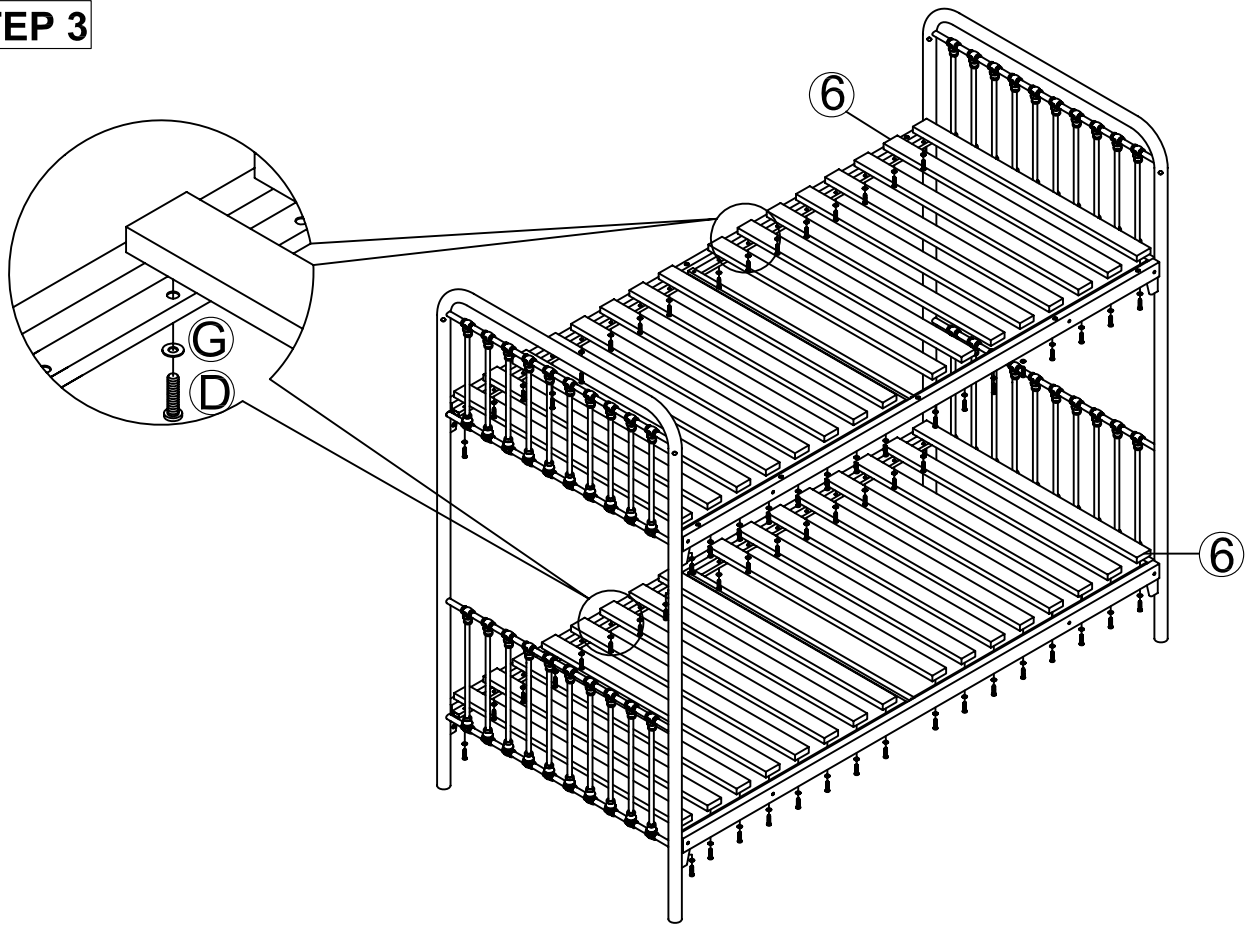
STEP 1



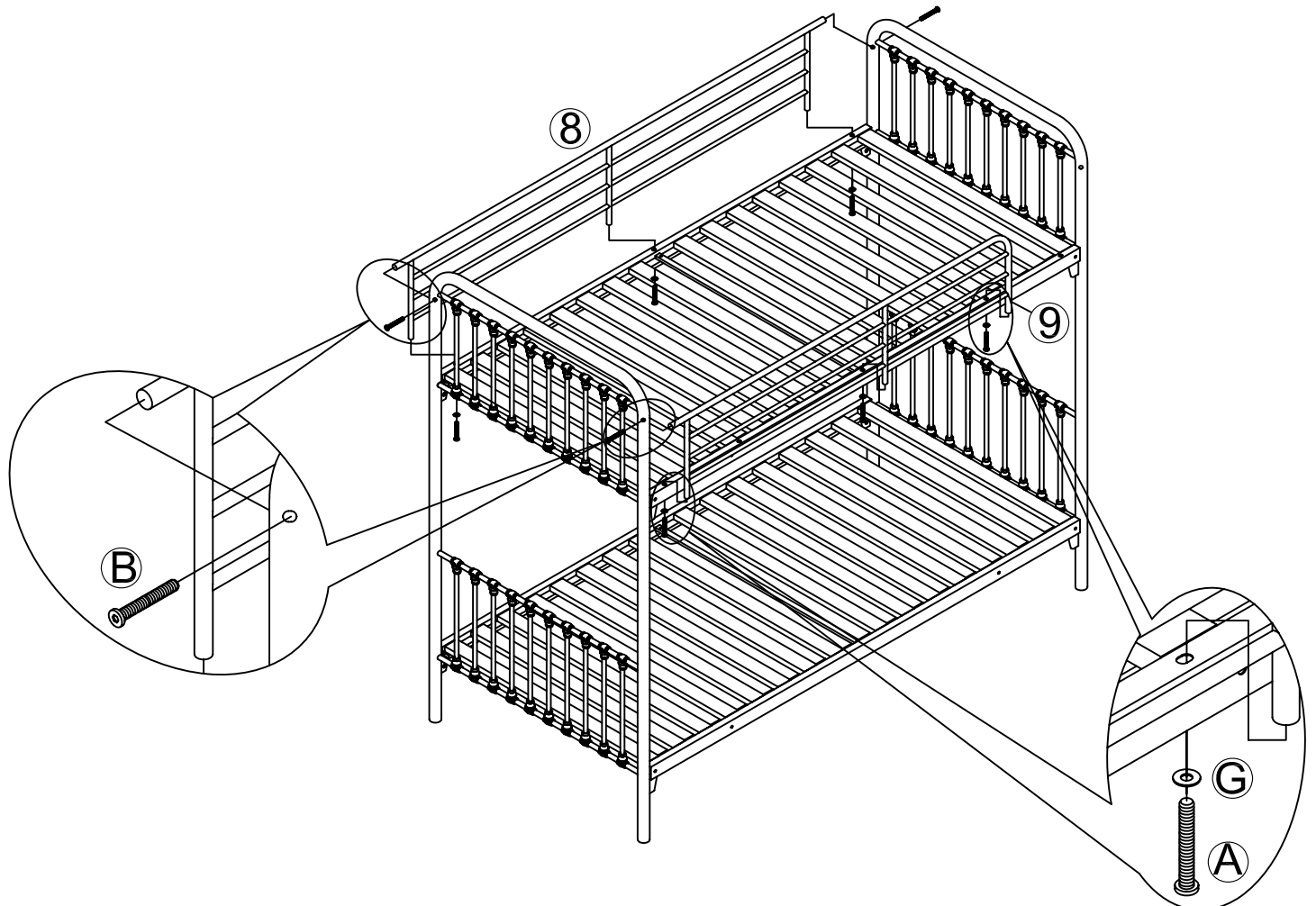
STEP 2



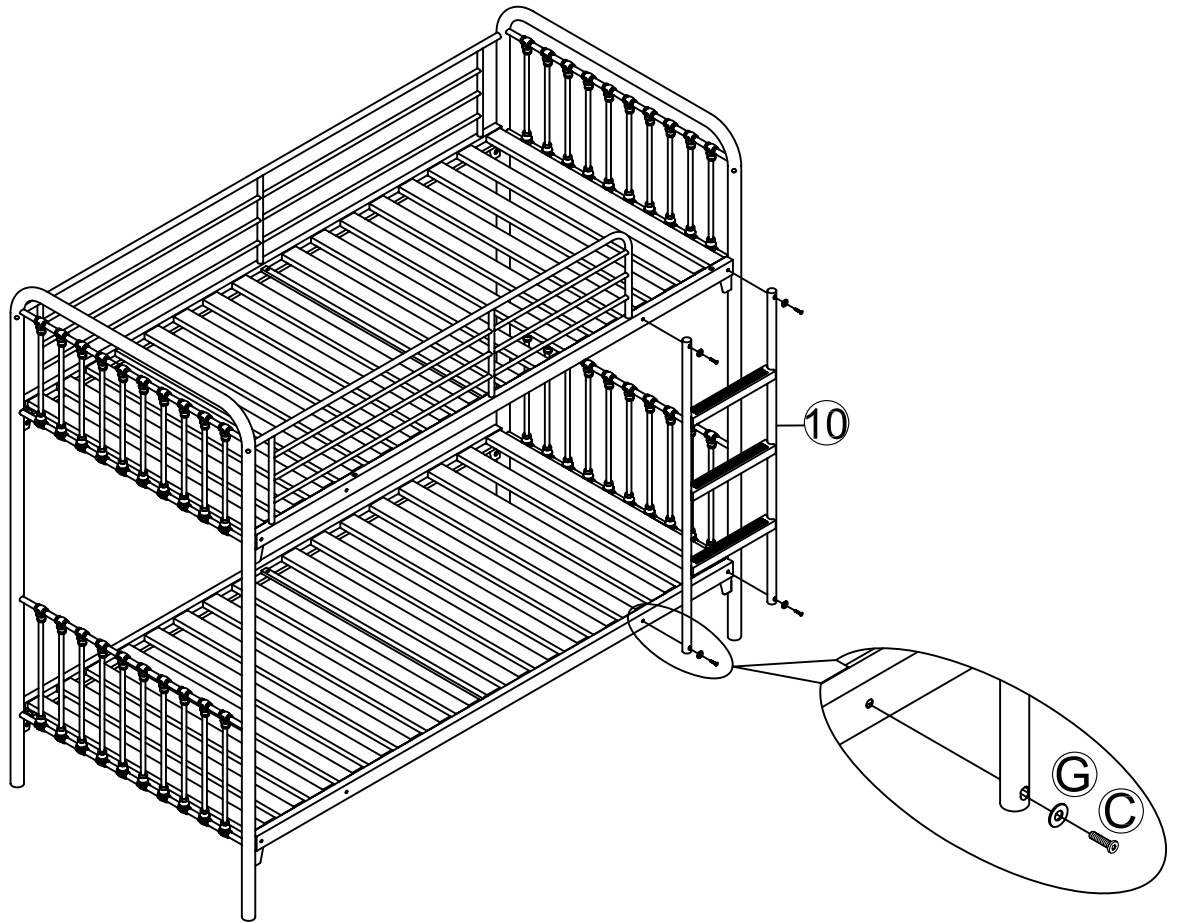
STEP 3



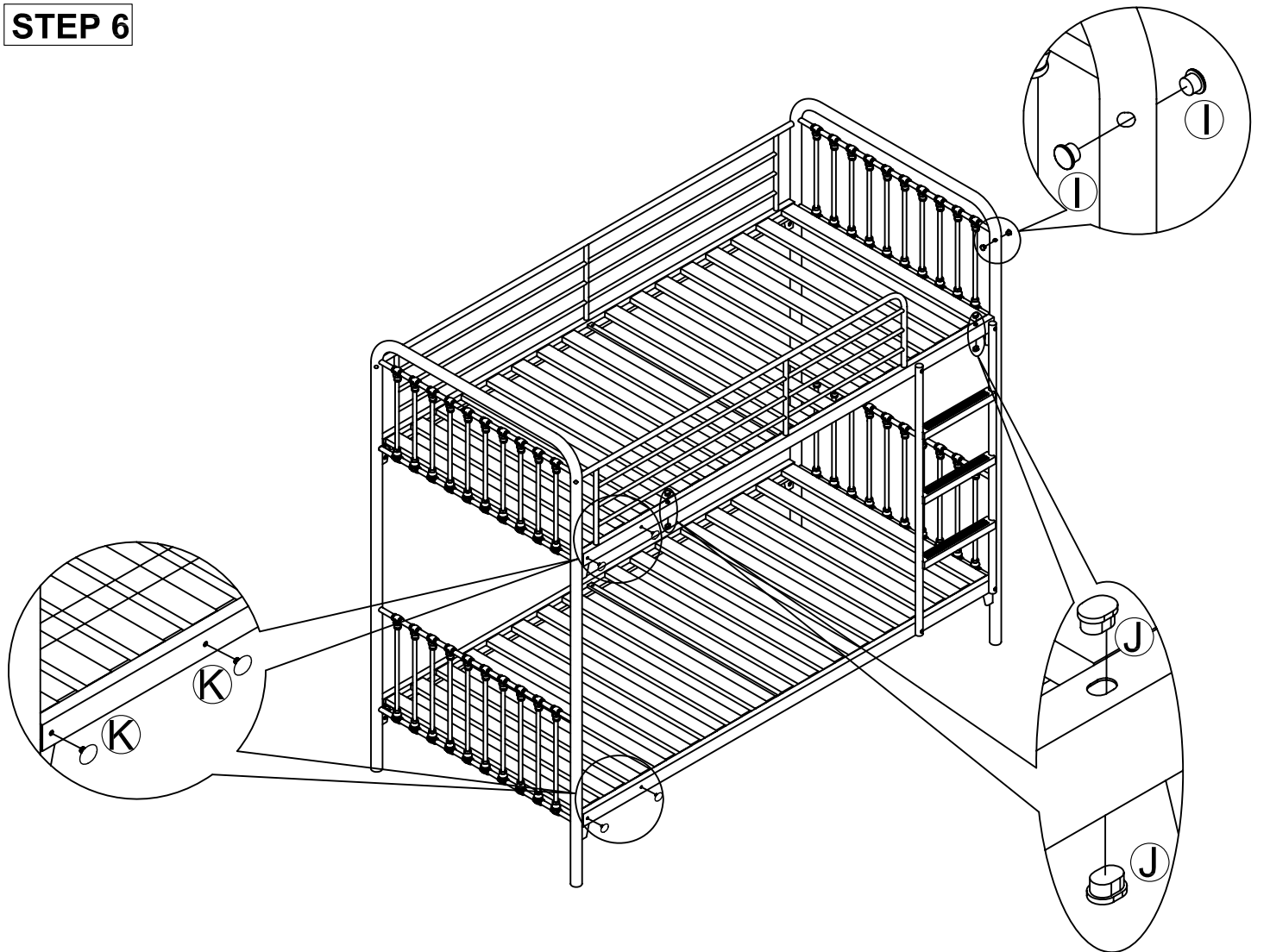
STEP 4



STEP 5

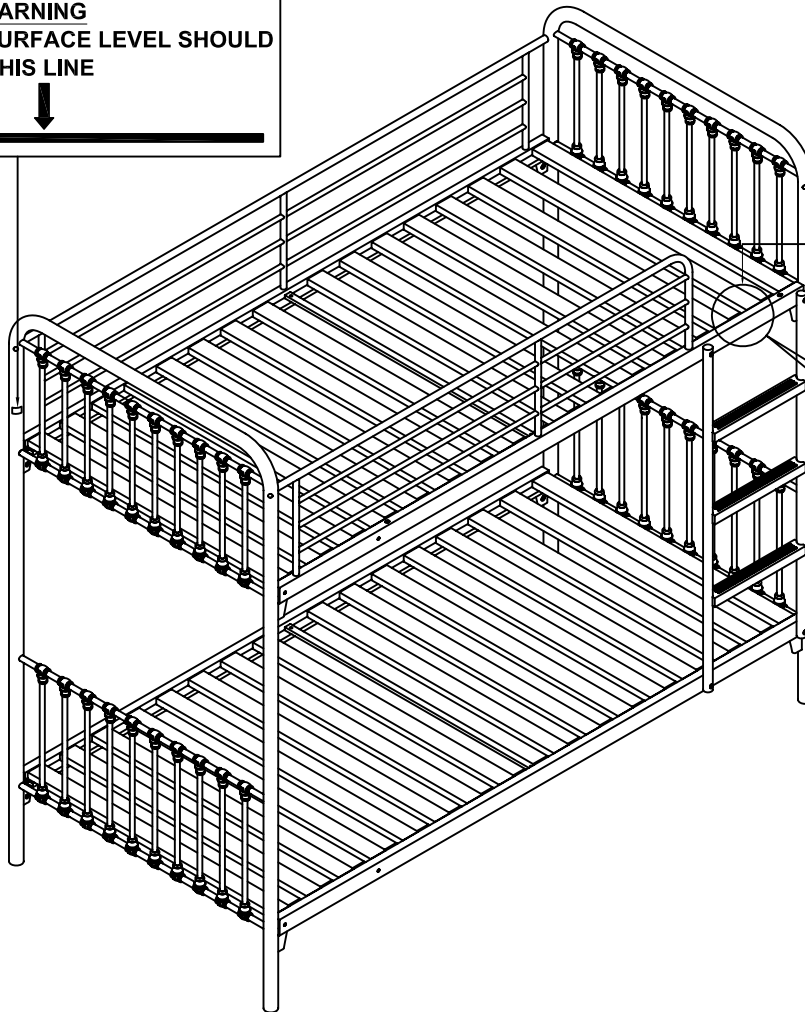


STEP 6

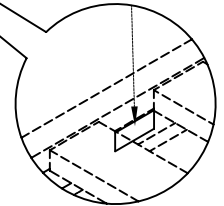


STEP 7

WARNING
THE MATTRESS SURFACE LEVEL SHOULD
NOT BE ABOVE THIS LINE



Manufacture by Furntec Ltd
This bunk bed complies with
BS EN 747-1/2:2012



COMPLETED BUNK BED