

feather & black

Mala Underbed Drawer - 10JAV2500

IMPORTANT READ CAREFULLY - RETAIN FOR FUTURE REFERENCE

Thank you for buying the Mala Underbed Drawer - 10JAV2500

- Please take a few minutes to read through these instructions before attempting to build this product.
- It is recommended that this product is assembled by two adults
- This product contains small parts, keep small children clear of the assembly area

PRODUCT SAFETY

- All assembly fastenings should always be tightened properly and care should be taken that no fittings are loose
- Periodically check and ensure that all components are in their proper position, free from damage, and that all connectors are tight

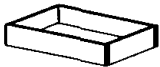


PRODUCT CARE

- Wipe clean using a soft damp cloth followed by dry cloth
- Do not use abrasives or cleaning products which may contain ammonia or solvents
- Take care when handling or moving the furniture. Careless handling can damage wooden furniture, try to lift rather than drag

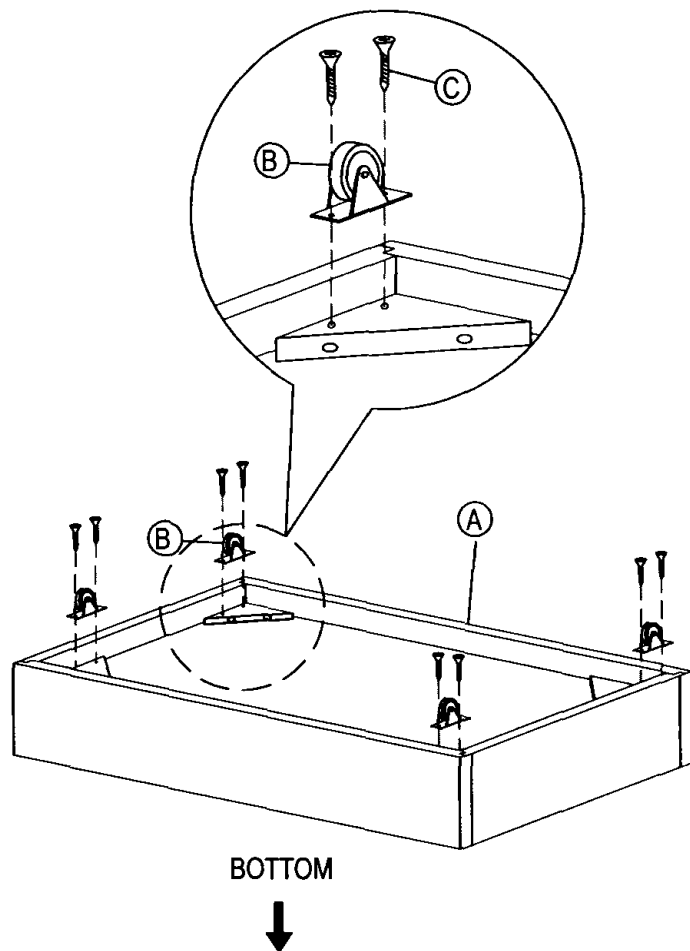
TOOLS REQUIRED:

- Please use Philips Head Screwdriver (not included) to assemble the Mala Underbed Drawer



| | PARTS | Q'TY |
|---|--|-------|
| A |  | 1 PC |
| B |  | 4 PCS |
| C |  M3.5 X 16MM | 8 PCS |

①



②

