

## Verona Wardrobe Assembly Instructions

### Pre-assembly Preparation

**Please read** these instructions fully prior to assembly to familiarise yourself with the various stages of construction. Carefully open all packs supplied and check the contents against the parts and fittings check list.

Do not destroy any of the packaging until you are certain that you have all the necessary parts for the assembly.

This item is heavy once assembled. Please try to assemble the item as close as possible to the point of use. Take care when moving the item to avoid personal injury or damage to the product and always lift rather than drag.

There are small components used in the construction of this furniture as well as plastic foil packaging, these should be kept away from young children whilst assembling.

This product requires a minimum of 2 people to assemble.

### Product Safety

All assembly fastenings should always be tightened properly and care should be taken to ensure that no fittings are loose.

Periodically check and ensure that all components are in their proper position, free from damage, and that all connectors are tight.

### Product Care

To clean, slightly moisten cloth with water and wipe surfaces. A damp cloth holds dust and prevents damage. repeat with a dry, soft, lint-free cloth.

Do not use abrasives or cleaning products which may contain ammonia or solvents

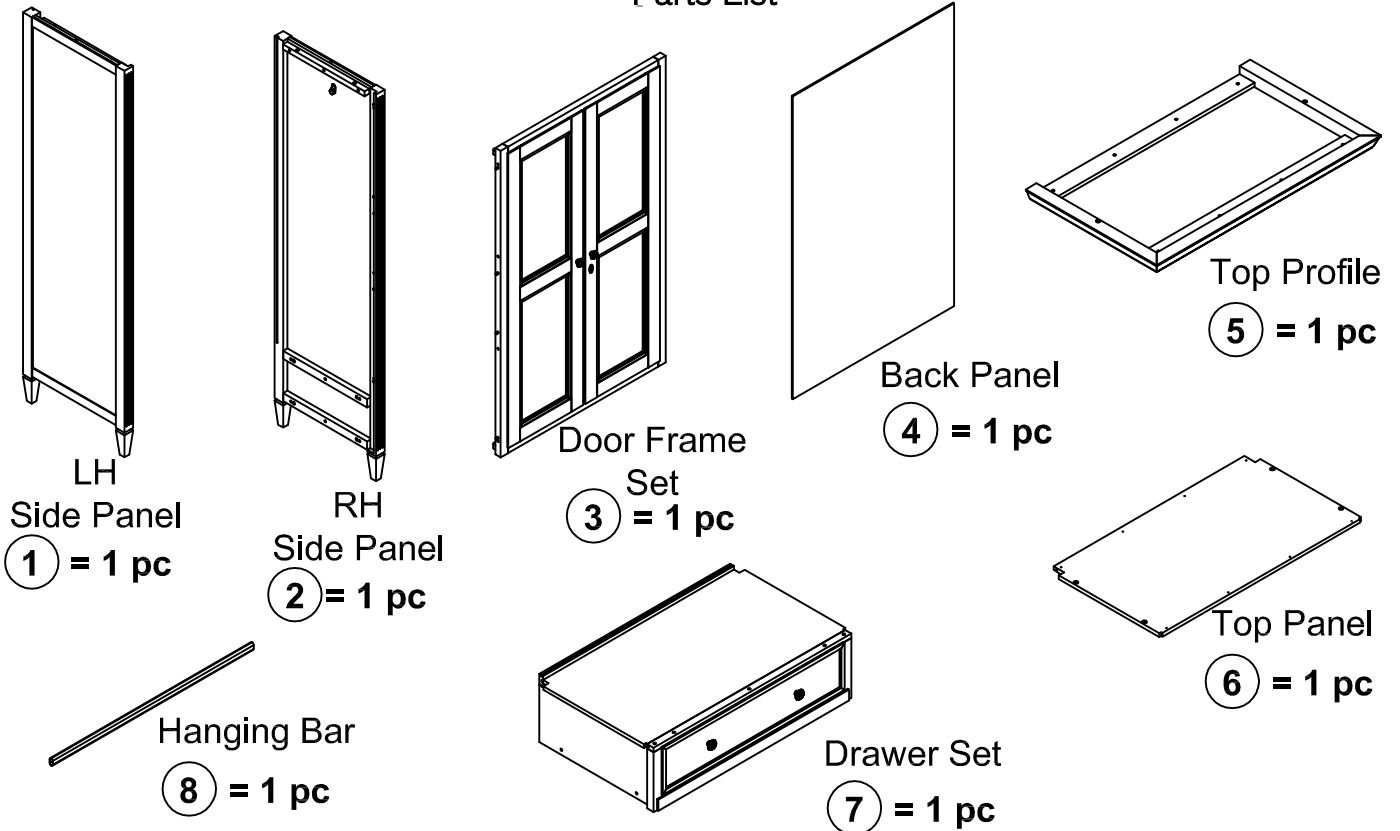
### Tools Required:

Please use an Allen Key (included) and a Phillips Screwdriver (not included) to assemble your Verona Wardrobe.

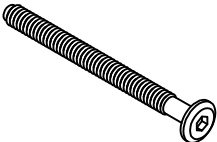
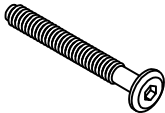
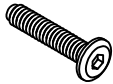
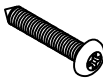
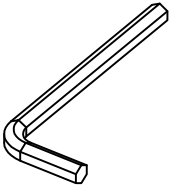



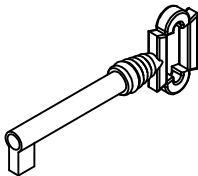
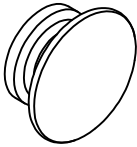


If you require any advice during assembly please call our customer service team on 01243 380600.

### Parts List

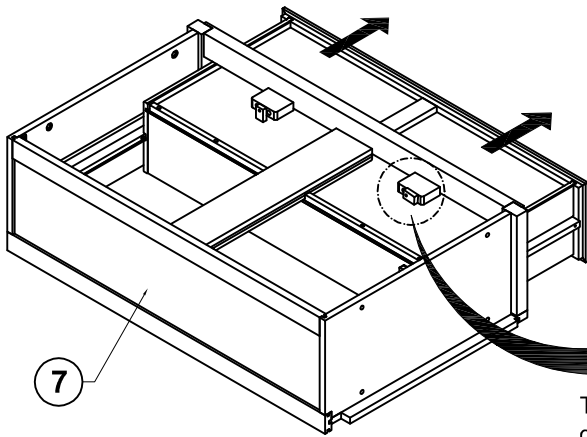


### Hardware and Wall Fixing Packs

 <b>Bolt 70mm</b> <b>A = 2 pcs</b>	 <b>Bolt 50mm</b> <b>B = 8 pcs</b>	 <b>Bolt 30mm</b> <b>C = 15 pcs</b>	 <b>Screw</b> <b>D = 8 pcs</b>	 <b>Allen Key</b> <b>E = 1 pc</b>
 <b>Strap Fixing Screw</b> <b>F = 1 pc</b>	 <b>Strap Fixing Washer</b> <b>G = 1 pc</b>	 <b>Strap</b> <b>H = 1 pc</b>	 <b>Key</b> <b>I = 1 pc</b>	 <b>Optional Painted Handle</b> <b>4 pcs</b>

# Verona Wardrobe Assembly Instructions

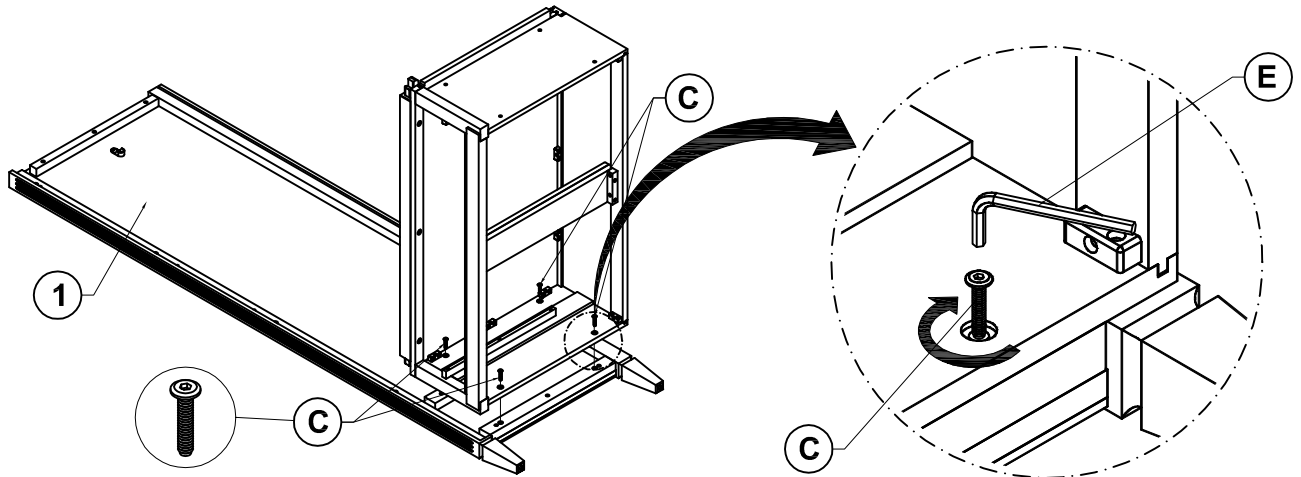
1



Turn the drawer stopper as shown to release the drawer out of drawer box

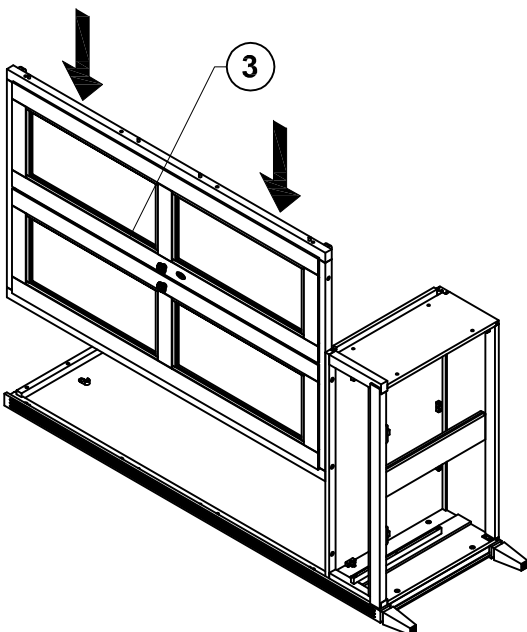
2

Use 4x bolts 30mm to fix the drawer box to LH side panel - as shown



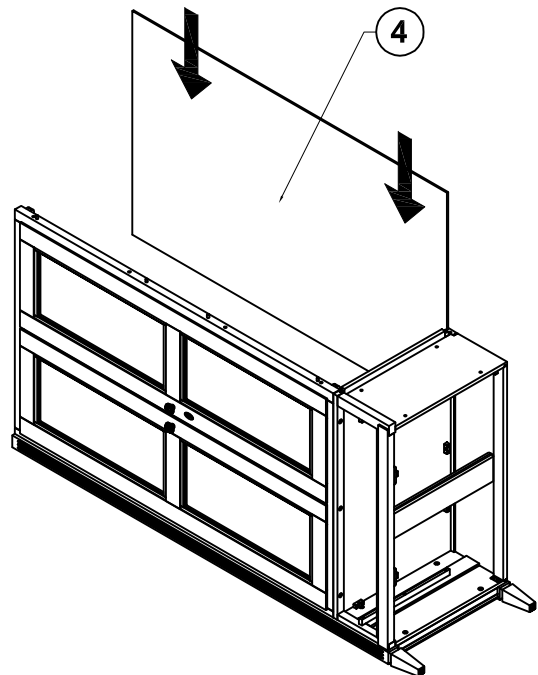
3

Put the door frame set and place as the dowel pins guide



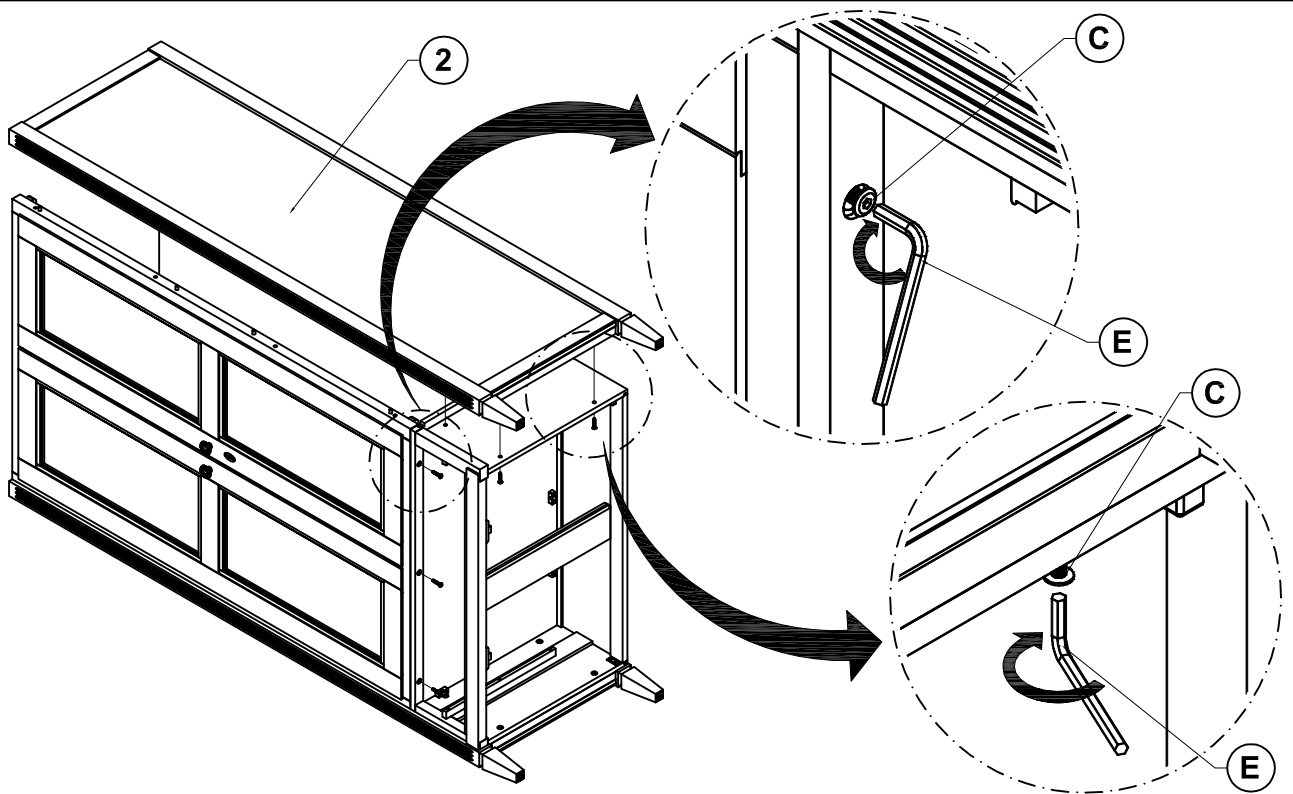
4

Insert the back panel



# Verona Wardrobe Assembly Instructions

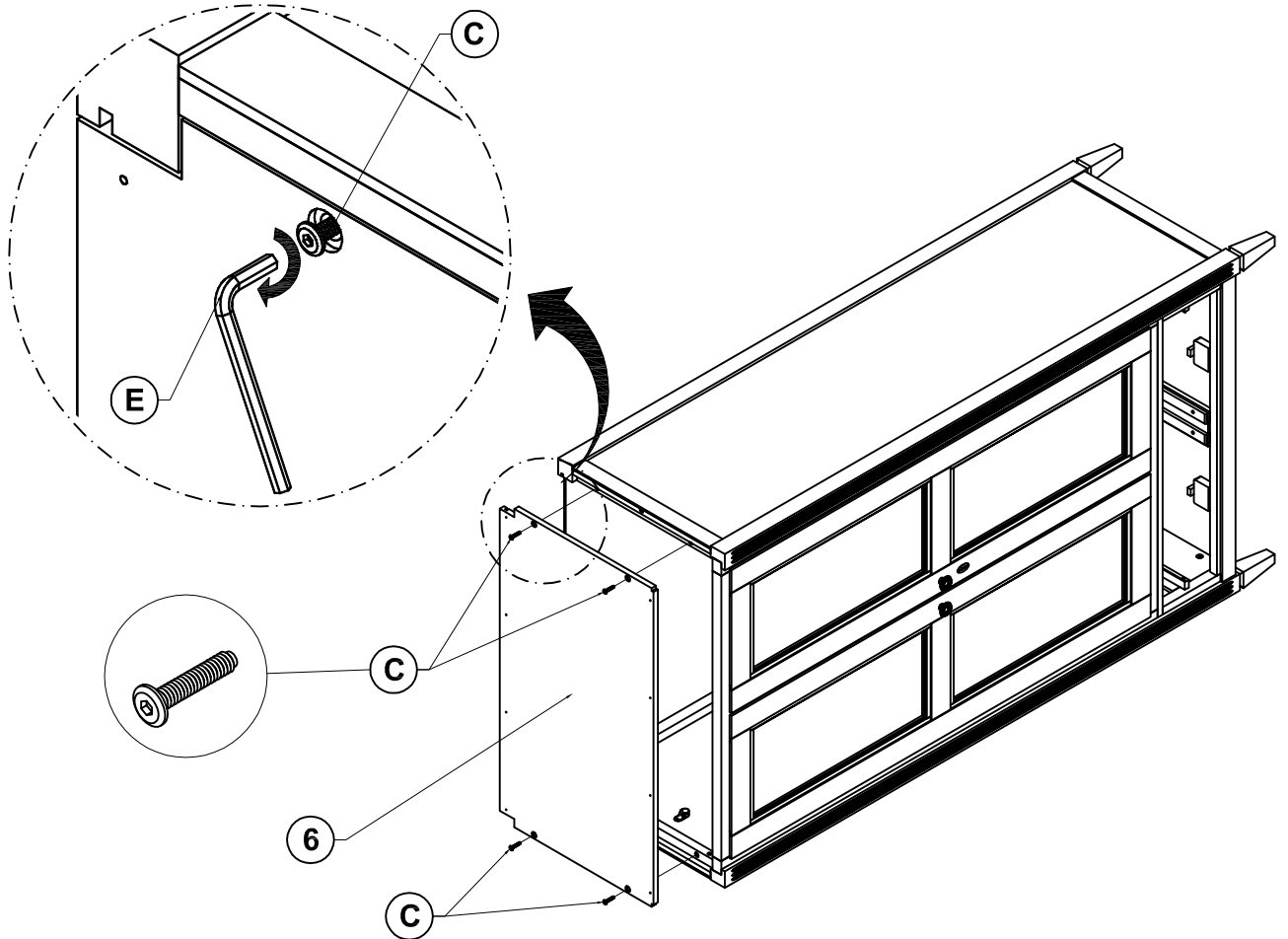
**5**



Use 4x bolts 30mm to fix the drawer box to RH side panel and 3x bolts 30mm to fix the drawer box to door frame set - as shown

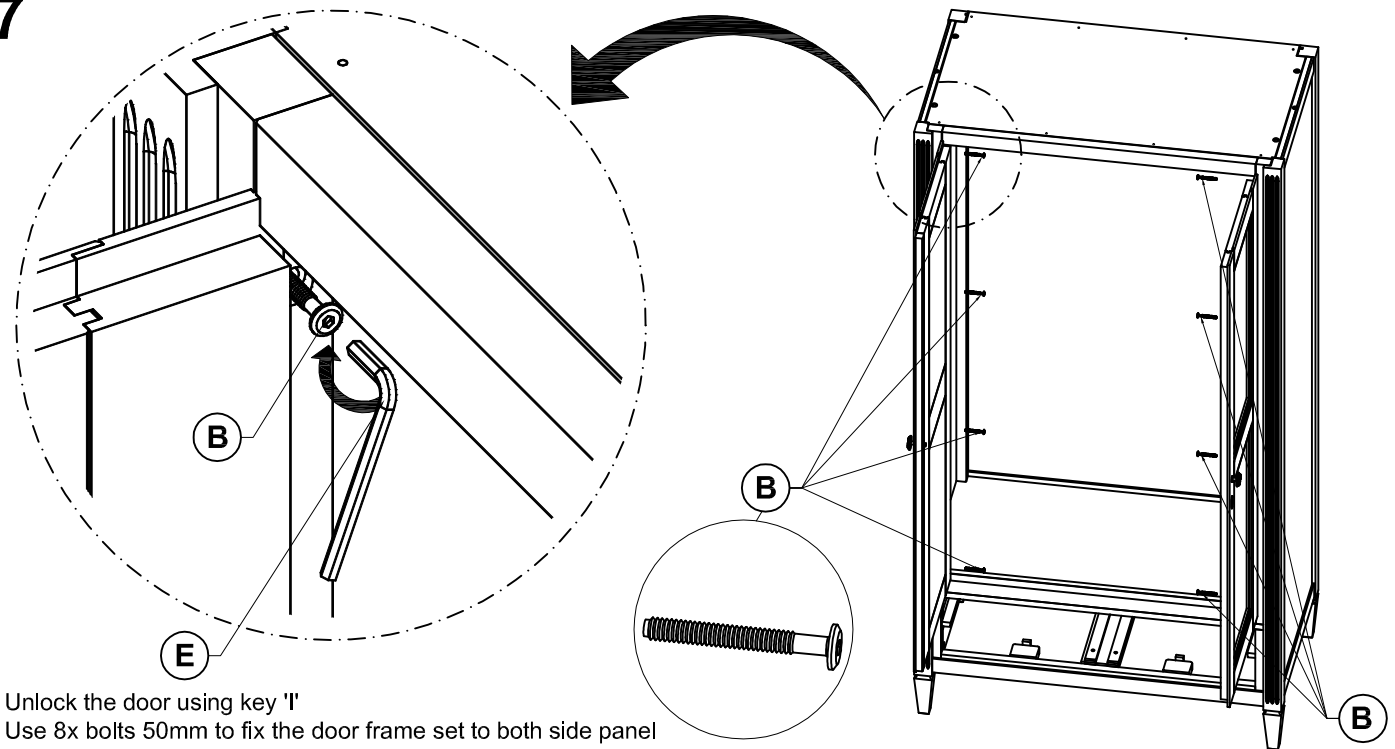
**6**

Fix the top panel using 4x bolts 30mm



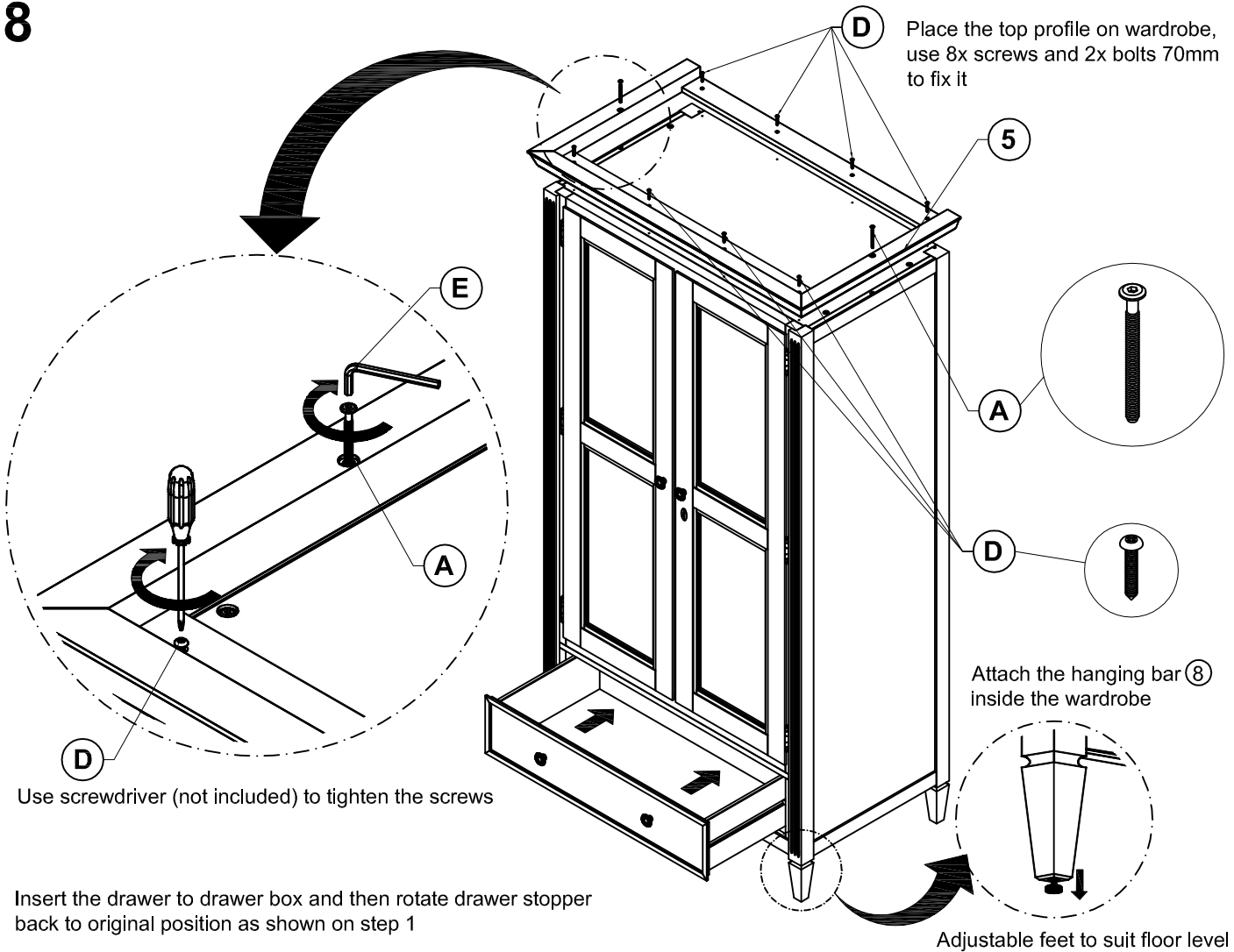
# Verona Wardrobe Assembly Instructions

**7**



Unlock the door using key 'I'  
Use 8x bolts 50mm to fix the door frame set to both side panel

**8**



Place the top profile on wardrobe,  
use 8x screws and 2x bolts 70mm  
to fix it

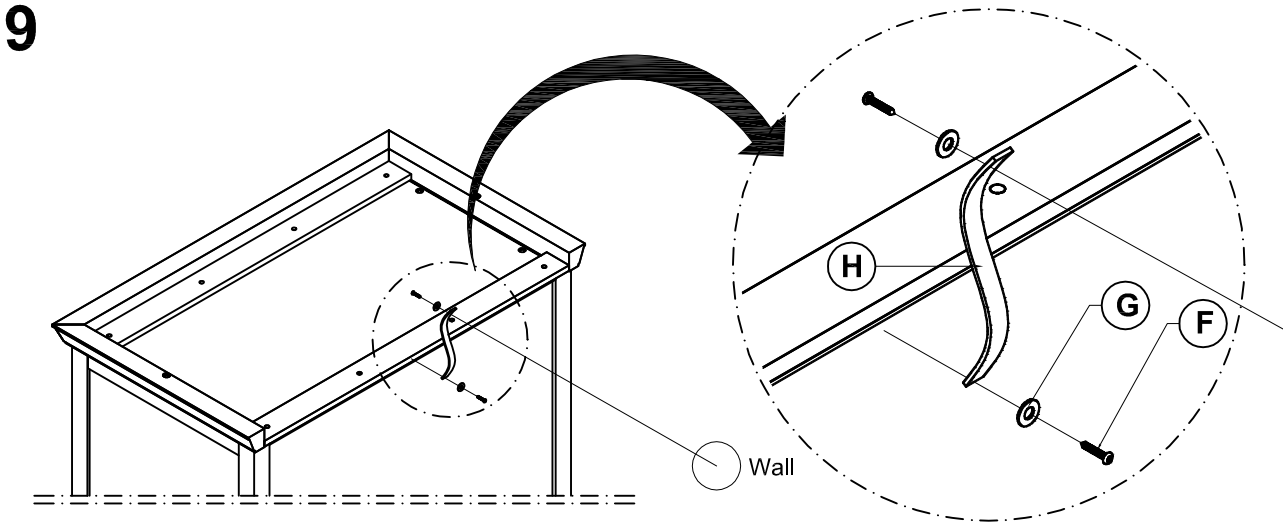
Use screwdriver (not included) to tighten the screws

Insert the drawer to drawer box and then rotate drawer stopper  
back to original position as shown on step 1

Attach the hanging bar (8)  
inside the wardrobe

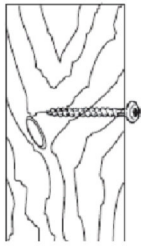
Adjustable feet to suit floor level

## Verona Wardrobe Wall Fixing Instructions



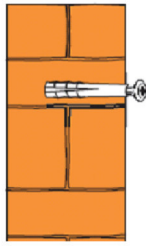
To avoid any risk of tipping, it is recommended to secure this unit to the wall as below instruction guide  
Due to different wall types, fixing NOT included

### Wall Fixing - If in doubt seek professional advice



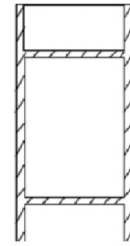
#### Wood

If fixing to wood make sure that it isn't chipboard as screws can easily pull away from the core structure



#### Brick or Masonry

Use an appropriate wall plug provided you are sure your wall is sound



#### Cavity Wall

Special toggle wall plugs are needed. Seek expert advice