

# feather&black

Perfect Bedtimes

## Verona King Size Bed (5.0') – Assembly Guide

**IMPORTANT READ CAREFULLY – RETAIN FOR FUTURE REFERENCE**

**Thank you for buying the Verona King Size Bed (5.0')**

- Please take a few quiet minutes to read these instructions
- It is recommended that this product is assembled by two adults
- This product contains small parts, keep small children clear of the assembly area

### **PRODUCT SAFETY**

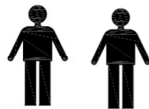
- All assembly fastenings should always be tightened properly and care should be taken that no fittings are loose
- Periodically check and ensure that all components are in their proper position, free from damage, and that all connectors are tight

### **PRODUCT CARE**

- Wipe clean using a soft damp cloth followed by dry cloth
- Do not use abrasives or cleaning product which may contain ammonia or solvents
- Take care when handling or moving the furniture. Careless handling can damage wooden furniture, try to lift rather than drag
- Do not jump or stand on product

### **ASSEMBLY**

- Please use Allen key (included) to assemble the Verona King Size Bed (5.0')



Contact Detail Customer Service Centre  
(01243)380 600

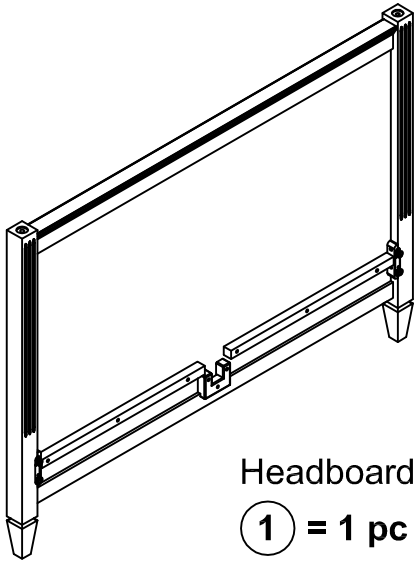
[sales@featherandblack.com](mailto:sales@featherandblack.com)

[www.featherandblack.com](http://www.featherandblack.com)

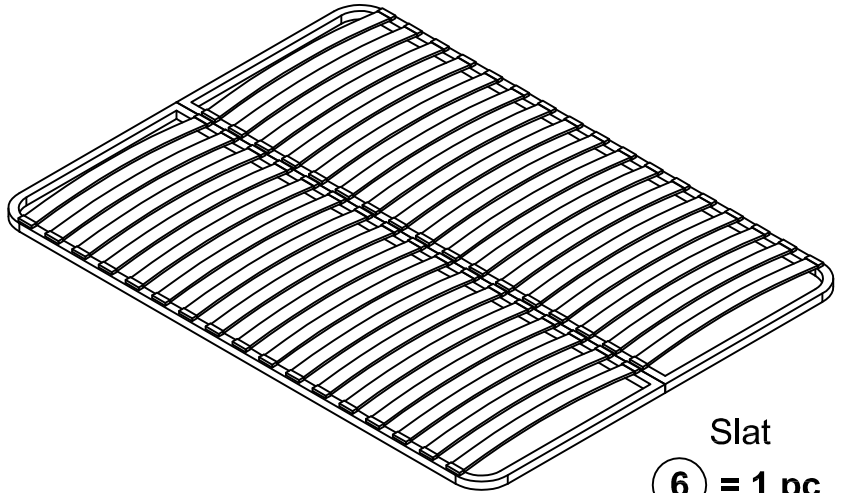
# ASSEMBLY INSTRUCTIONS

## VERONA KING SIZE BED (5.0')

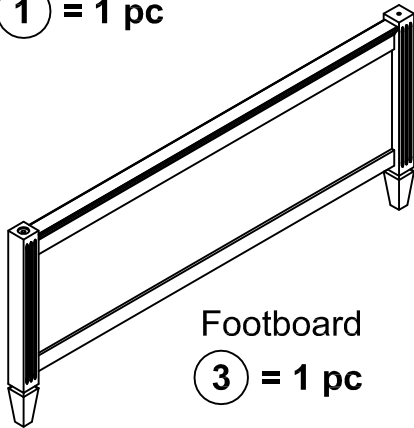
### Parts List



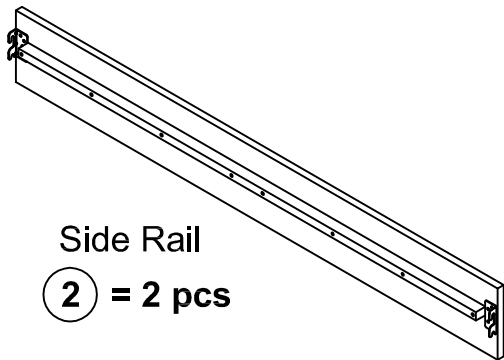
Headboard  
① = 1 pc



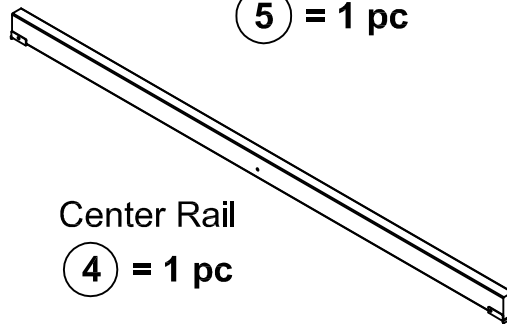
Slat  
⑥ = 1 pc



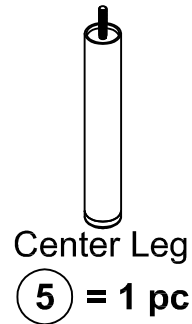
Footboard  
③ = 1 pc



Side Rail  
② = 2 pcs



Center Rail  
④ = 1 pc

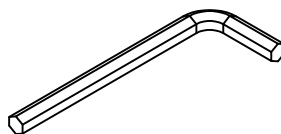


Center Leg  
⑤ = 1 pc



Finial  
⑦ = 4 pcs

### Hardware List

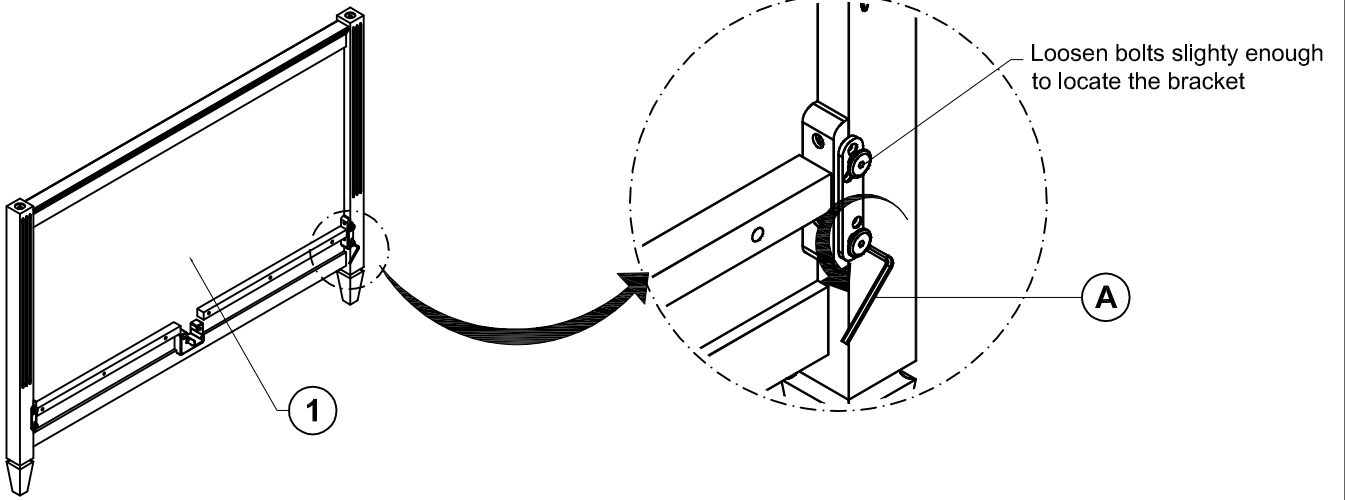


Allen Key  
① = x 1

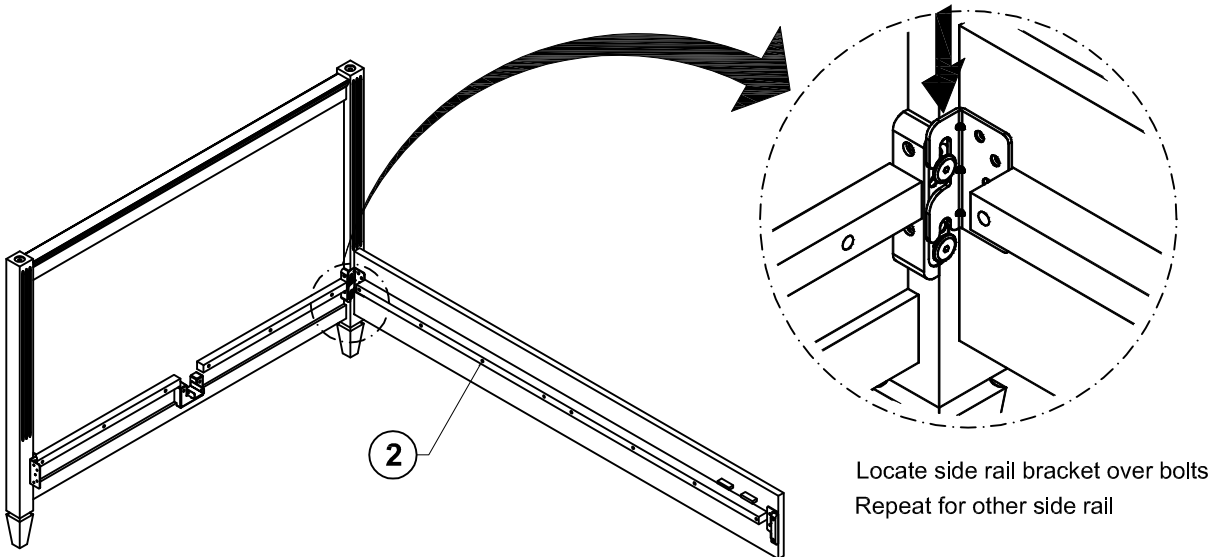
# ASSEMBLY INSTRUCTIONS

## VERONA KING SIZE BED (5.0')

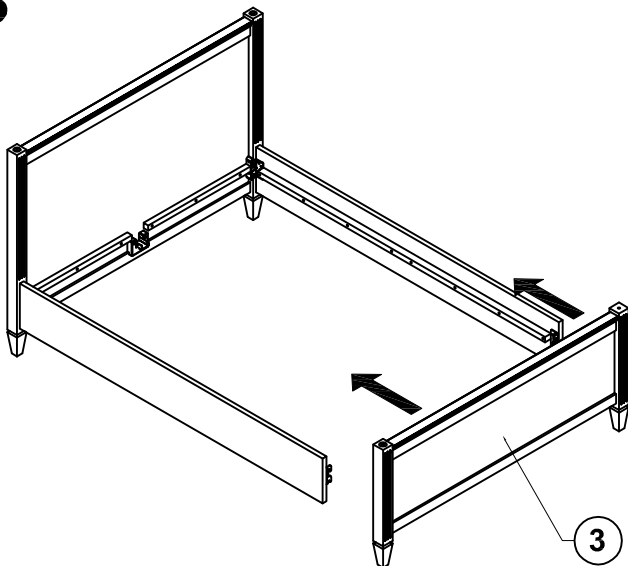
1



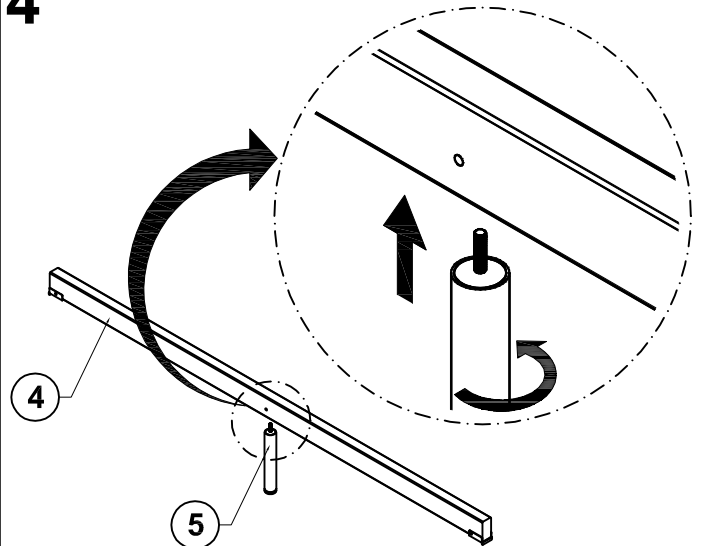
2



3



4

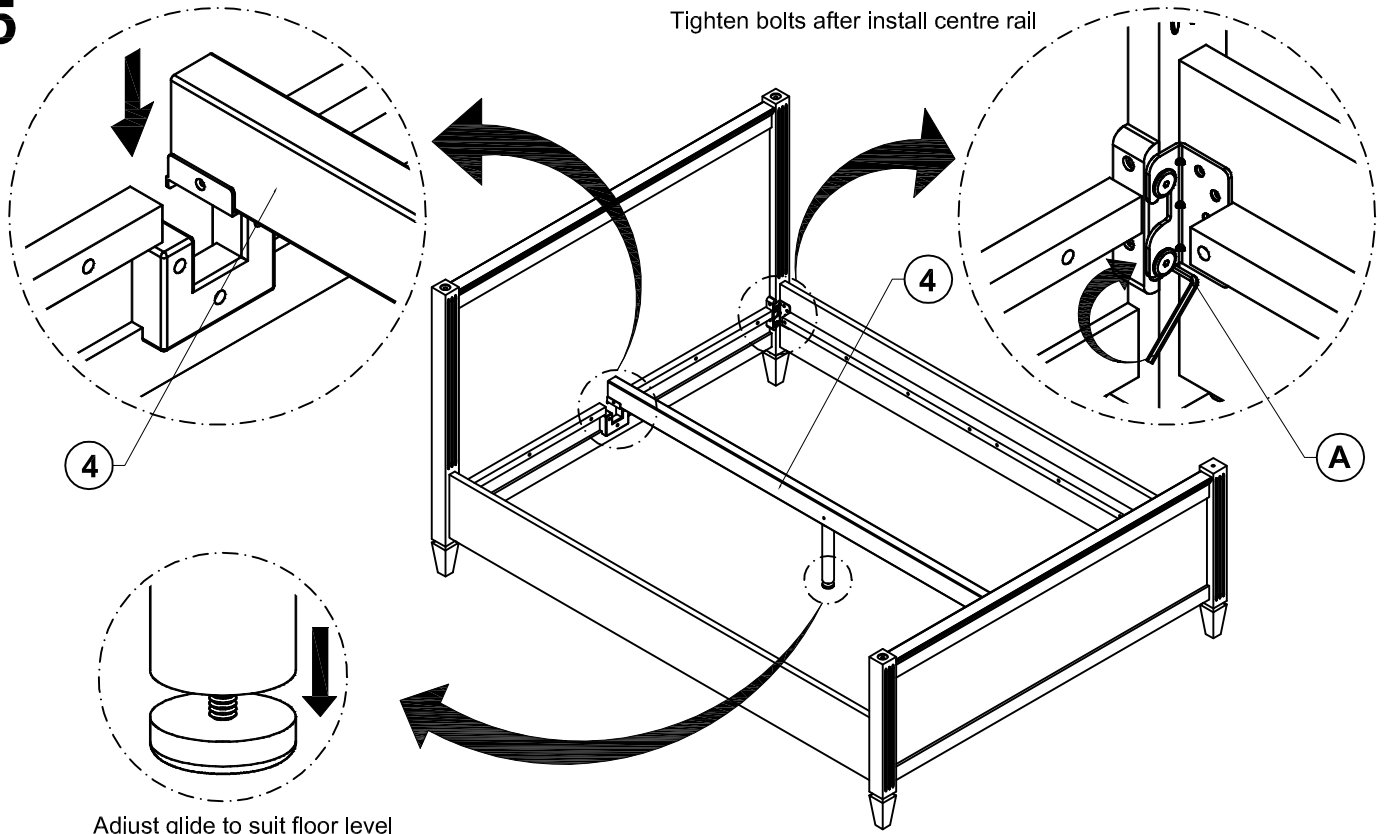


# ASSEMBLY INSTRUCTIONS

## VERONA KING SIZE BED (5.0')

5

Tighten bolts after install centre rail



6

