

feather & black

## Riley Bedstead Double

### IMPORTANT READ CAREFULLY – RETAIN FOR FUTURE REFERENCE

- Read all instructions before assembly. KEEP INSTRUCTIONS FOR FUTURE USE
- Save all packing materials until assembly is complete to avoid accidentally discarding fittings
- All assembly fastenings should always be tightened properly and that care should be taken that no fittings are loose
- To clean, slightly moisten cloth with water and wipe surfaces. A damp cloth holds dust and prevents damage. Repeat with a dry, soft, lint-free cloth
- Do not use abrasives or cleaning products which may contain ammonia or solvents
- Once bed is assembled, do not sit, stand or apply weight directly to slats unless mattress is in place.

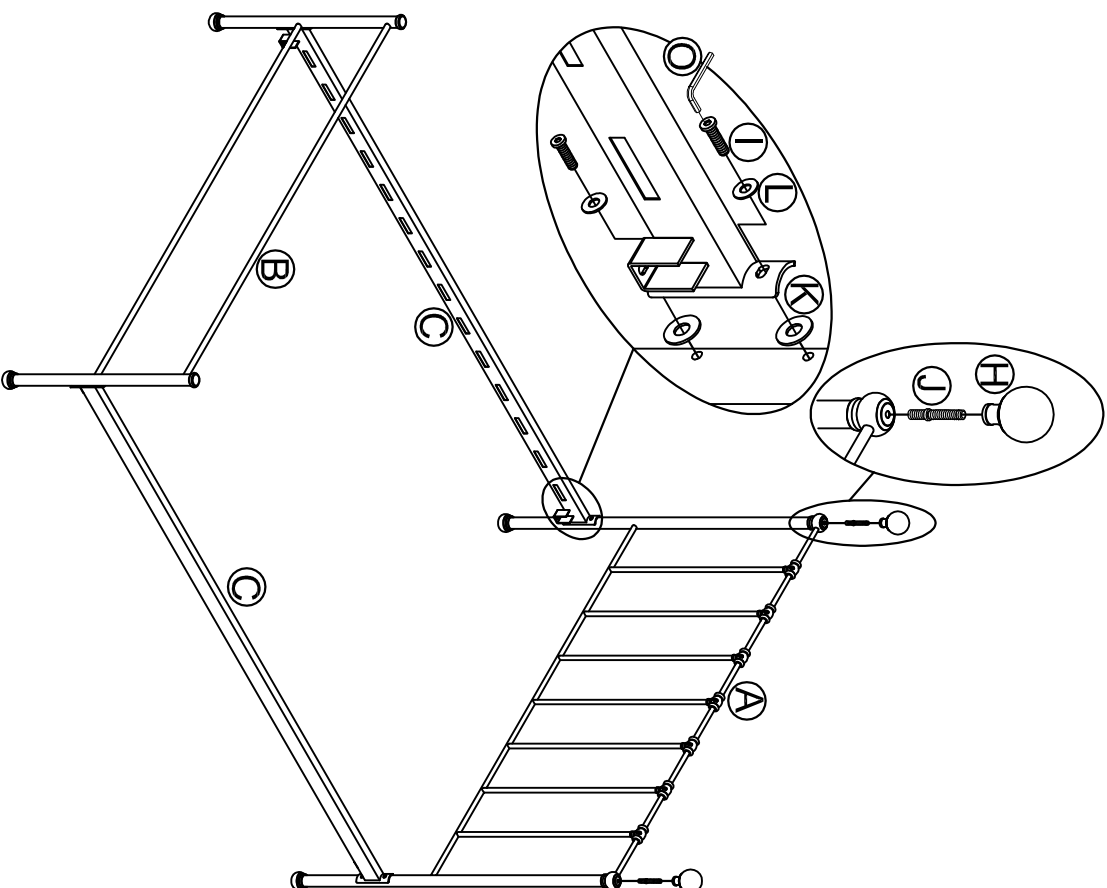
### TOOLS REQUIRED:

- Please use Allen key

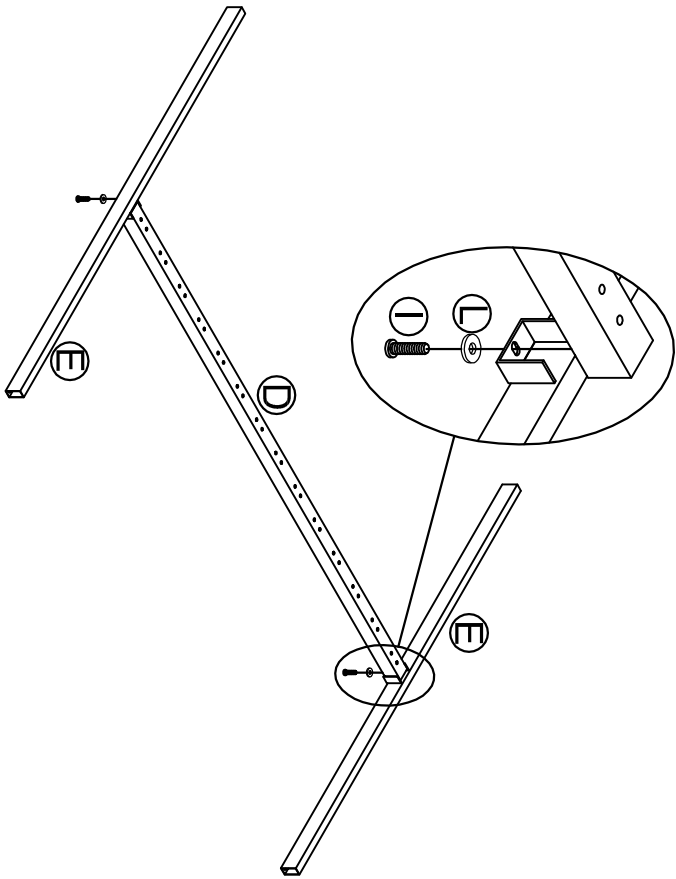


	PARTS	Q'TY
A		1PC
B		1PC
C		2PCS
D		1PC
E		2PCS
F		28PCS
G		2PCS
H		2PCS
I	 1/4"x22	17PCS
J	 1/4"x45	2PCS
K	 1/4" x Ø23 x 2.0	8PCS
L	 1/4" x Ø16*1.0	17PCS
M		14PCS
N		28PCS
O	 M4	1PC

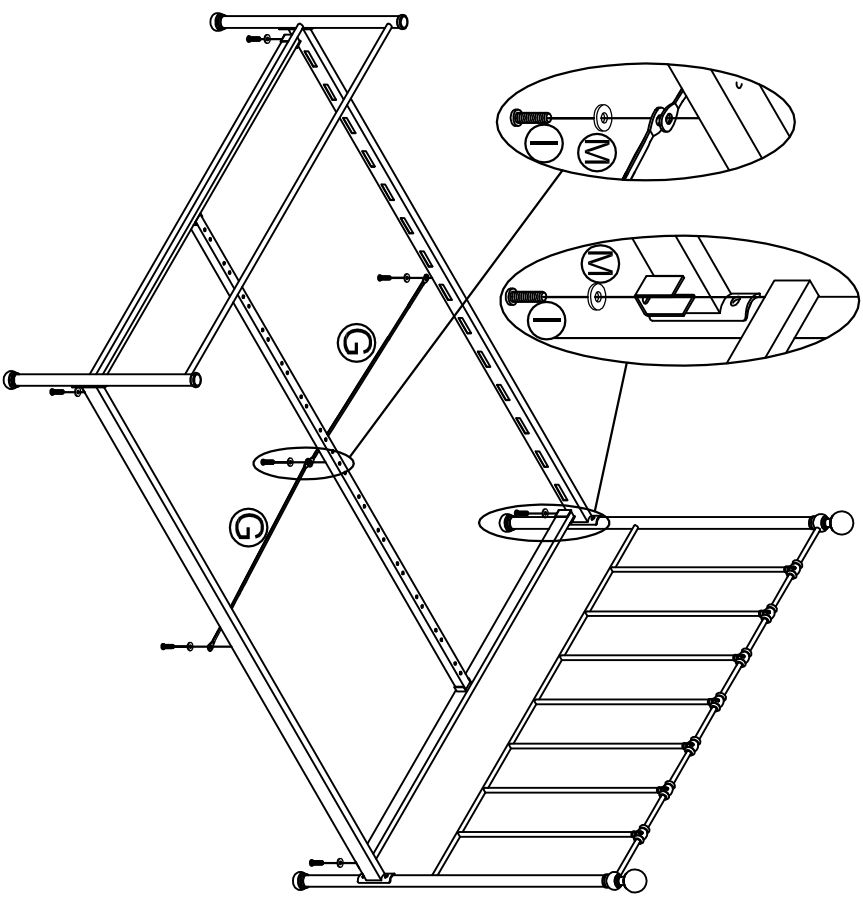
1



2



3

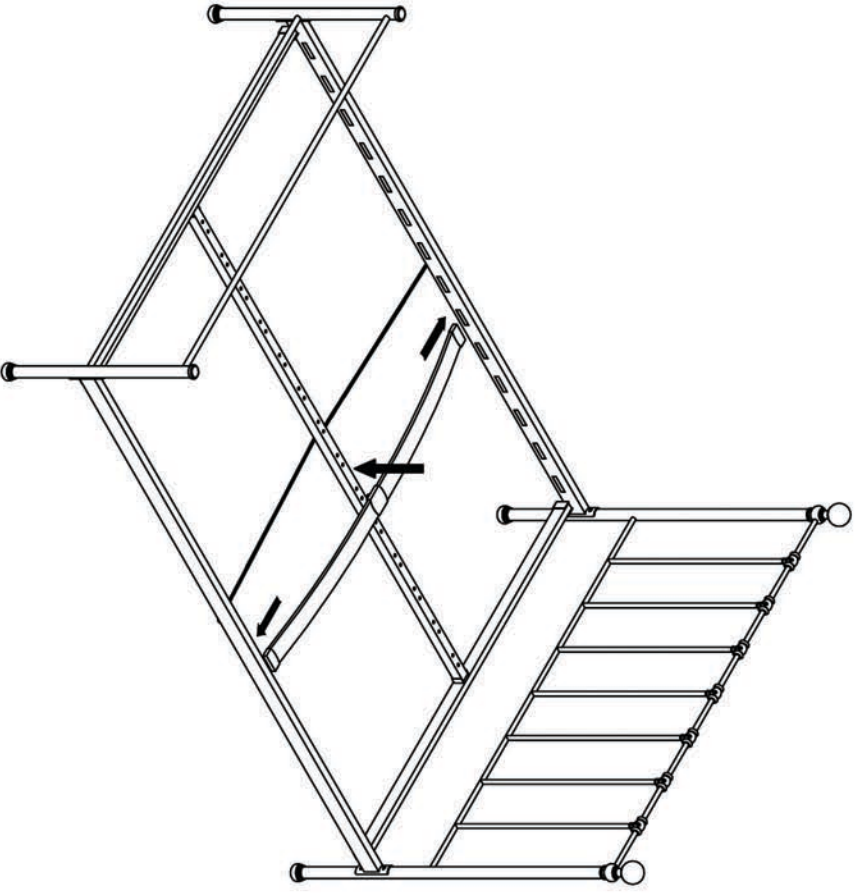
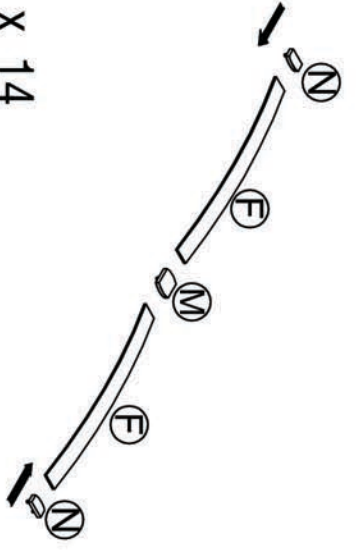




Edited with the trial version of  
Foxit Advanced PDF Editor  
To remove this notice, visit:  
[www.foxitsoftware.com/shopping](http://www.foxitsoftware.com/shopping)

4

X 14



5

