

feather & black

Quinn Bed Assembly

**IMPORTANT - PLEASE READ CAREFULLY
AND RETAIN FOR FUTURE REFERENCE.**

Please take a few minutes to read these instructions

This product contains small parts, keep small children clear of the assembly area.

PRODUCT SAFETY

- All assembly fastenings should always be tightened properly and care should be taken that no fittings are loose.
- Periodically check and ensure that all components are in their proper position, free from damage, and that all connectors are tight.

PRODUCT CARE


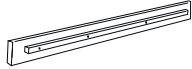
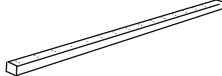



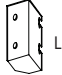
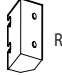


- **FABRIC** - We recommend vacuuming gently on a regular basis.
- Do not use abrasives or cleaning products which may contain ammonia or solvents.
- Take care when handling or moving the furniture. Careless handling can damage wooden furniture, try to lift rather than drag.

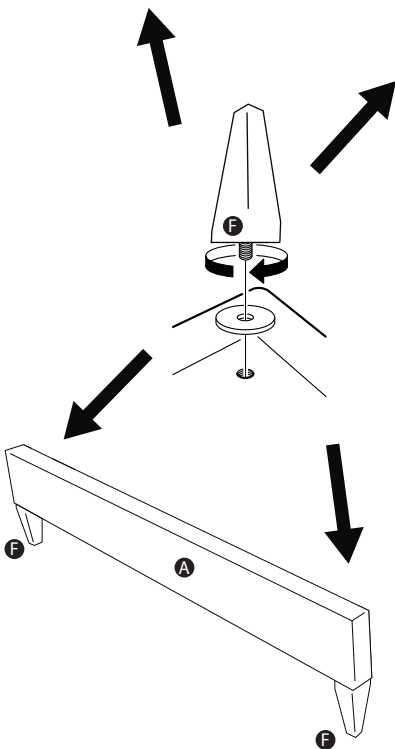
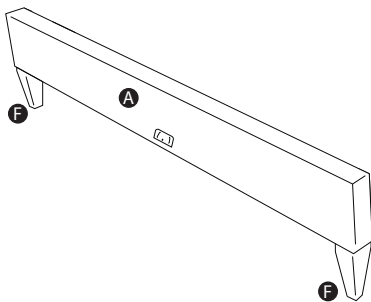
Quinn Bed Assembly.

Please check that you have all the required parts before following the bellow instructions to assemble the bed.

Before you get started:

- The legs are not pre-fitted to the frame.
- Assembly requires 2 people.

	Parts	QTY
A		x2
B		x2
C		x1
D		SIZE 135x190 - x28 SIZE 150x200 - x30 SIZE 180x200 - x30
E		SIZE 135x190 - x14 SIZE 150x200 - x15 SIZE 180x200 - x15
F		x4
G		x2
H		x2
I		x16
J		x1



Slat Size

4'6 (Double)	677 x 63 x 8 mm
5' (King)	750 x 63 x 8 mm
6' (Super King)	903 x 63 x 8 mm

