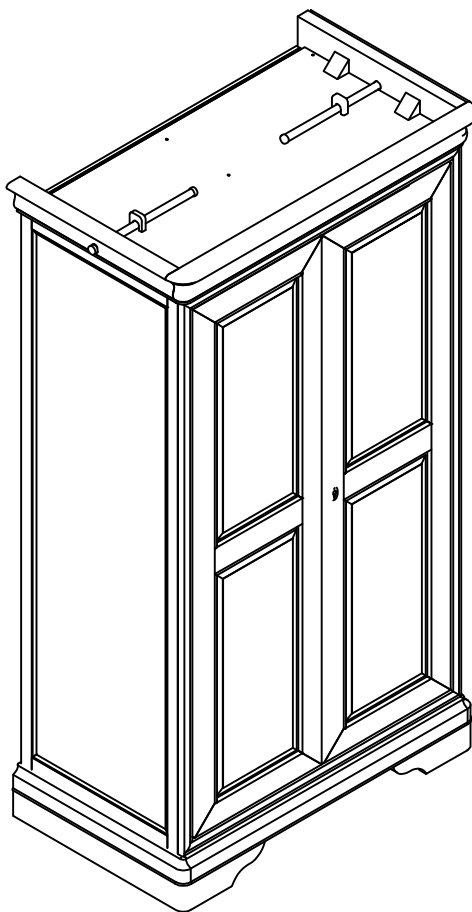

Bedrooms by
feather & black
Provence Collection

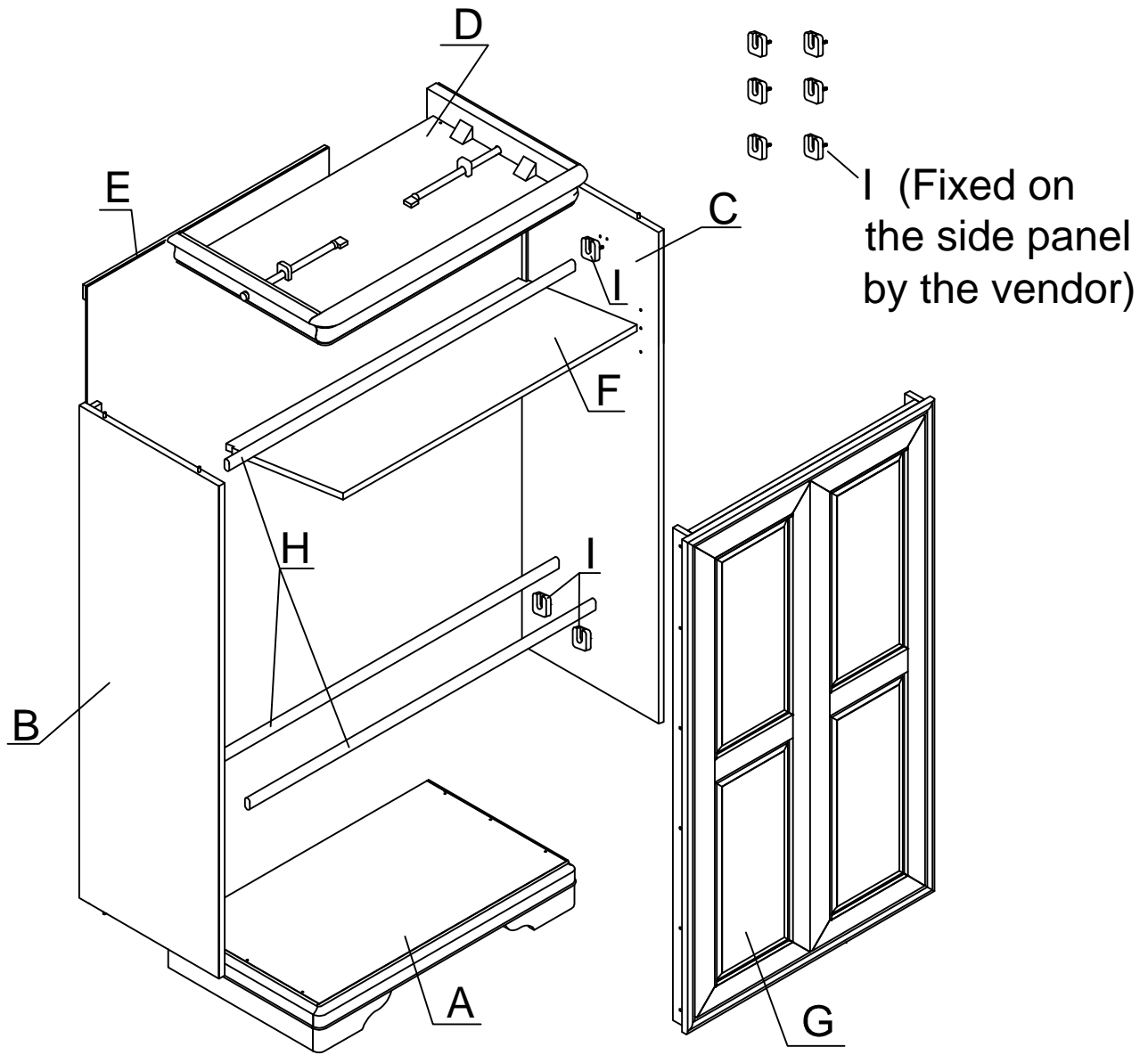
2 Door Wardrobe



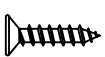
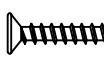



Step By Step Assembly Instructions

PRE-ASSEMBLY PREPARATION

1. Please check the part contents before attempting to assemble this product. A full checklist of components is given in this leaflet. If any components are missing, please contact the retailer from whom you bought this product.
2. This product is **HEAVY**, it should be assembled as near as possible to the point of use. **TAKE CARE WHEN LIFTING** to avoid personal injury and (or) damage to the product.
3. This product takes approximately 60 MINUTES to assemble with **2 PEOPLE**.
4. The fittings pack contains **SMALL ITEMS** which should be **KEPT AWAY FROM YOUNG CHILDREN**.
5. Read this leaflet in full before commencing assembly.
6. You will require a cross head screwdriver to assemble this product.
7. **WE RECOMMEND** that you lay a protective cloth on your carpet to prevent marking.



Panel and Fittings Identification

Item	Description	Qty.	Item	Description	Qty.	Item	Description	Qty.
A	Base	1	B	Left Side Panel	1	C	Right Side Panel	1
D	Top Cornice	1	E	Back Panel	1	F	Shelf	1
G	Door Frame	1	H	Hanging Rail	3	I	Rail Support	6
J	25mm CSK Screws 	25	K	30mm CSK Screws 	12	L	Dowel 	8
M	Shelf Pins 	4	N	16 CSK Screws 	4			

Step ① -Use the adjustable levelers to level the wardrobe base (A) on uneven floor surface. Place dowel (L) both top and bottom of each panel.

With the aid of an assistant, locate the side panels (B&C) into the base unit (A). Secure the side panels using one 30mm CSK screw (K) per panel inserted through the rear post.

Fittings

 K x 2

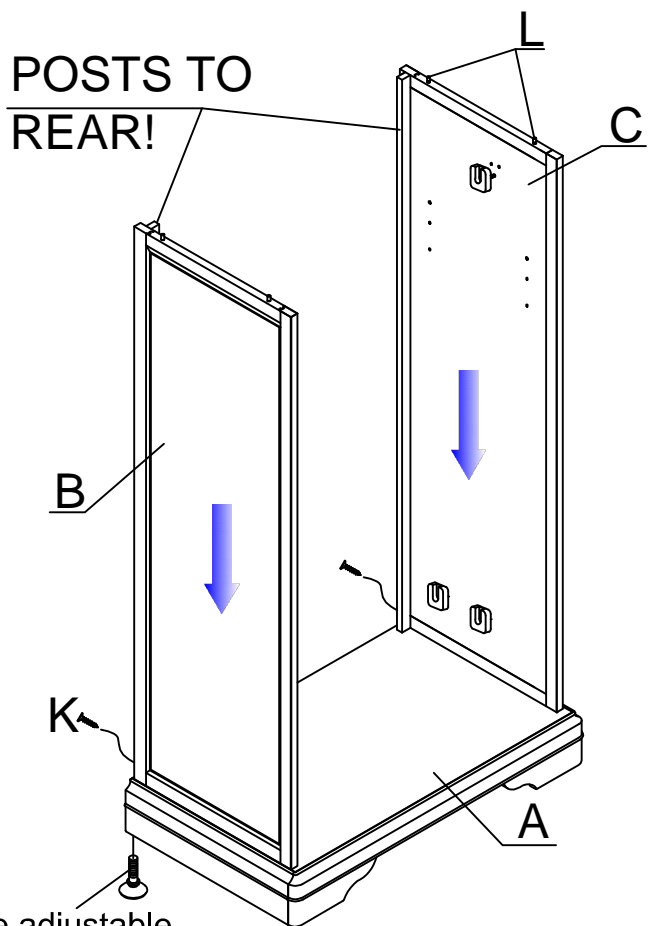
 L x 8

Step ② **IMPORTANT NOTE:**
PLEASE ENSURE THE DOORS ARE UNLOCKED PRIOR TO ASSEMBLY With the aid of an assistant, locate the door frame (G) onto the wardrobe as shown. Make sure the door frame is tight against the side panels. First secure to the side panels starting from the bottom and using four 25mm CSK screws (J) per side, inserted through the wooden blocks. Then secure at the bottom using three additional 25mm CSK screws (J).

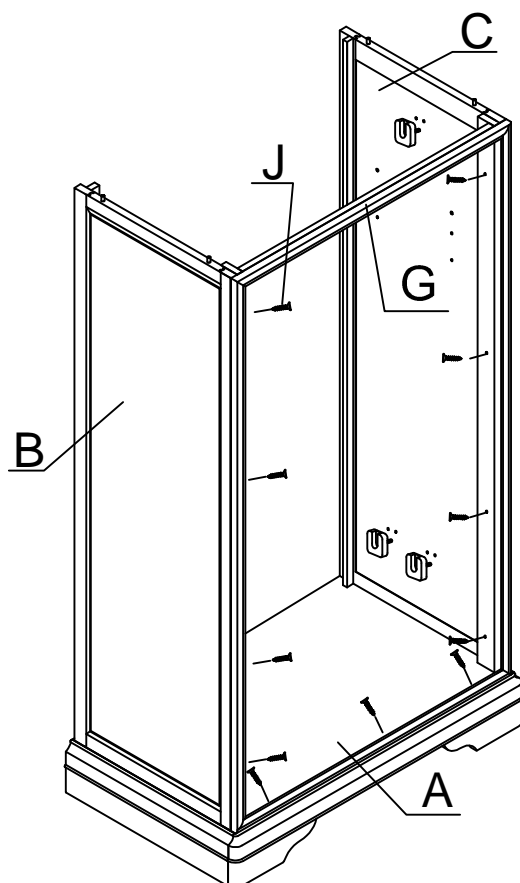
Fittings

 J x 11

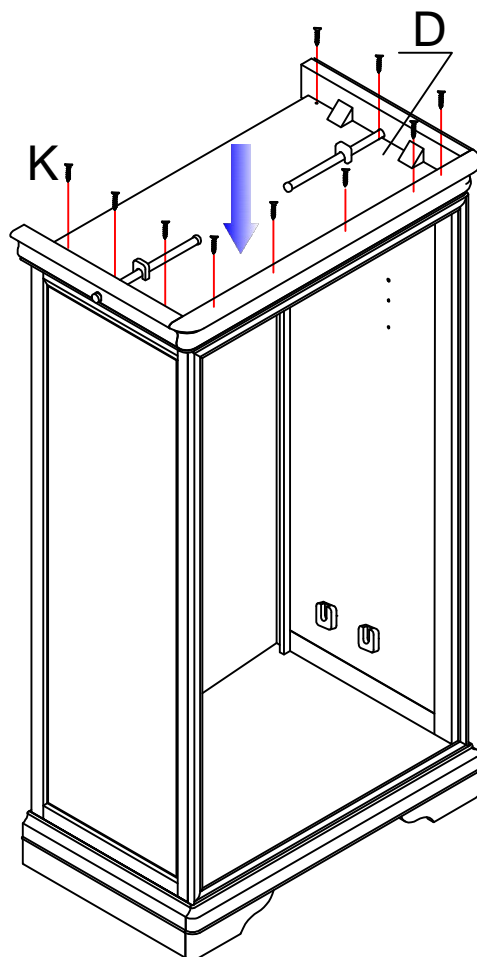
SHOWN WITH DOORS REMOVED FOR CLARITY OF ILLUSTRATION ONLY



The adjustable levelers are attached on the bottom of base by the vendor.



Step ③ With the aid of an assistant, locate the cornice (D) as shown. Secure using ten 30mm screws (K), three for each panel and four into the top of the door frames.



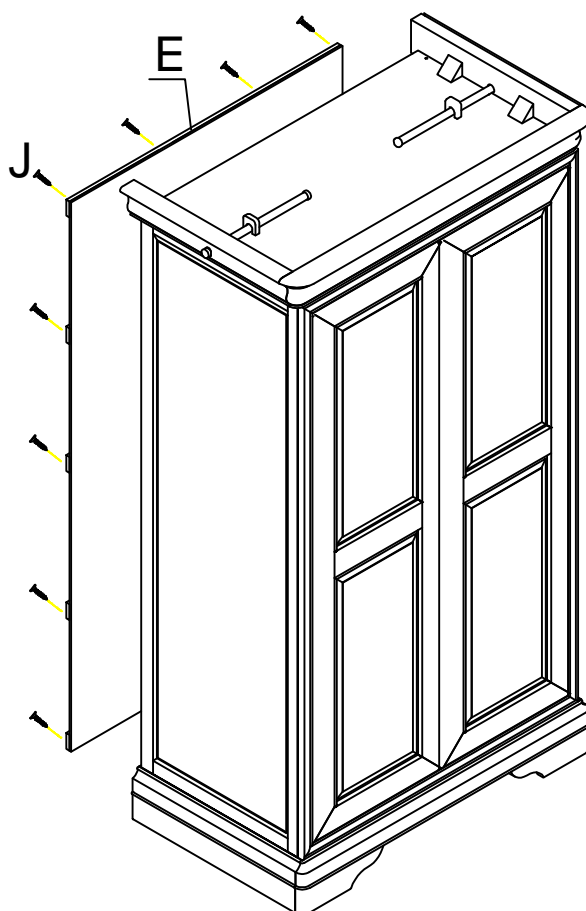
Fittings



K x 10

**SHOWN WITH DOORS
REMOVED FOR CLARITY
OF ILLUSTRATION ONLY**

Step ④ Before attaching the back panels (E), move the wardrobe close to the position where it will be used. With uneven floors you may need to lean the wardrobe slightly left or slightly right to ensure that the doors remain square. With the aid of an assistant, hold the wardrobe in position and secure the back panel (E) to the rear of the wardrobe. Finally, secure the back panel (E). Tighten all fourteen 25mm CSK screws (J).

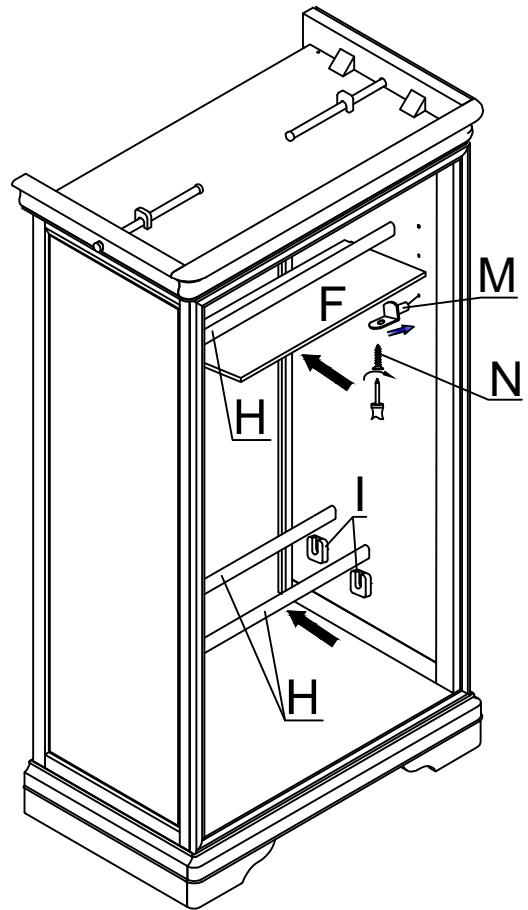


Fittings





J x 14

Step ⑤ -Push fit the four shelf pins (M) at the desired heights. Locate the shelf (F) noting the 'Notched' corners as shown. Screw the 16mm screws (N) into the underside of the shelf through the pins. Push fit the hanging rail supports (I) and locate the hanging rails (H).

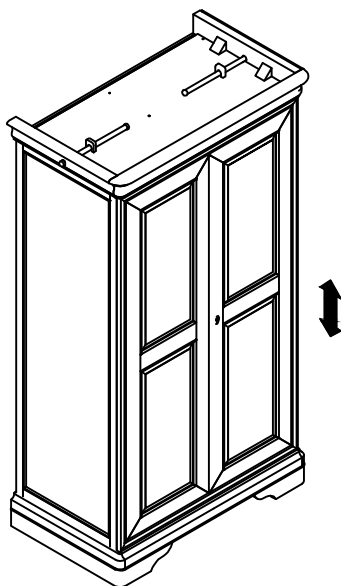
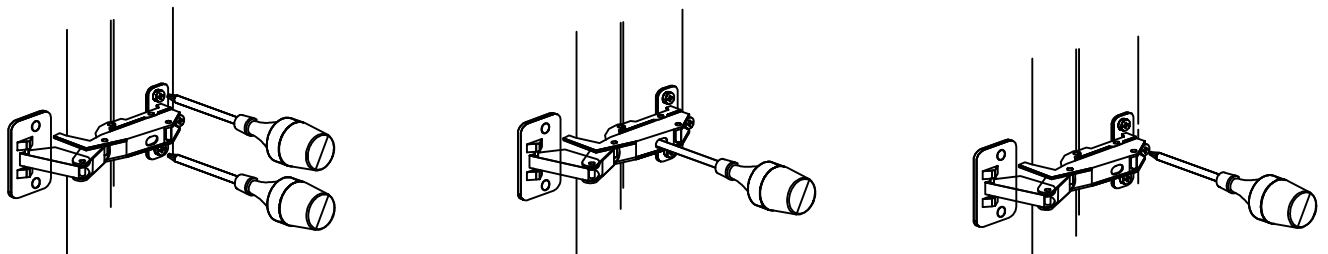


Fittings

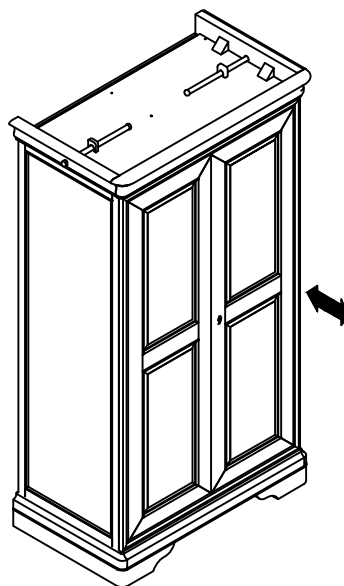
-  N x 4
-  M x 4

**SHOWN WITH DOORS
REMOVED FOR CLARITY
OF ILLUSTRATION ONLY**

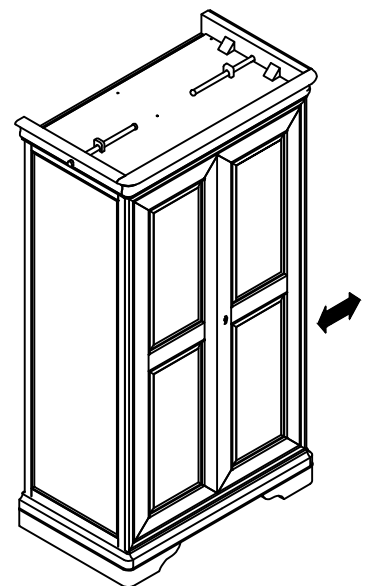
Step ⑥ Move the wardrobe into position and then check that the doors are aligned correctly. If necessary adjust the door hinges as shown below.



Vertical Adjustment



Horizontal Adjustment



Lateral Adjustment

Bedrooms by
feather & black
Provence Collection

2 Door Wardrobe

It may be required to adjust the top and bottom locking pins on the door frame, enabling the hooks to locate and lock onto the pin. If required loosen and remove screws on the pin and locate into the correct position, then re-attach the screws. The pins can be moved in the directions shown in the diagram.

