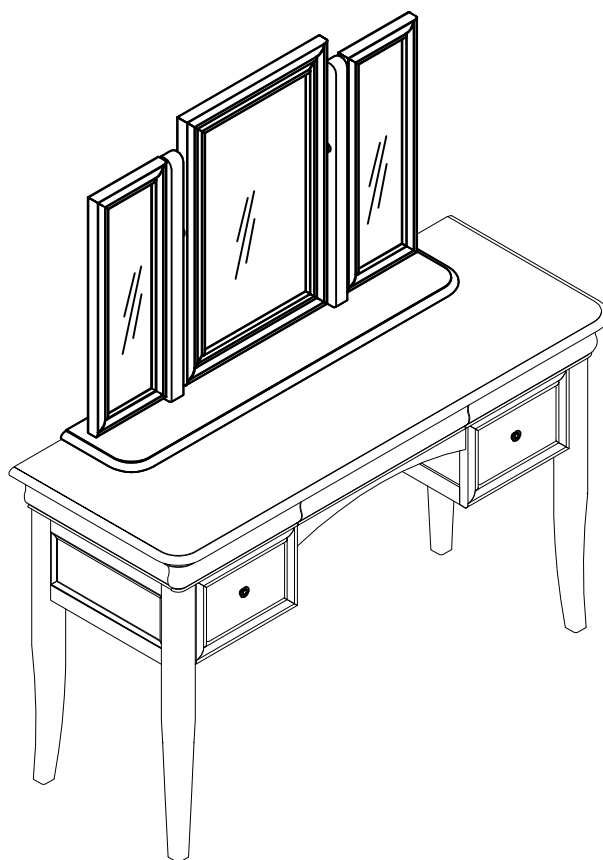
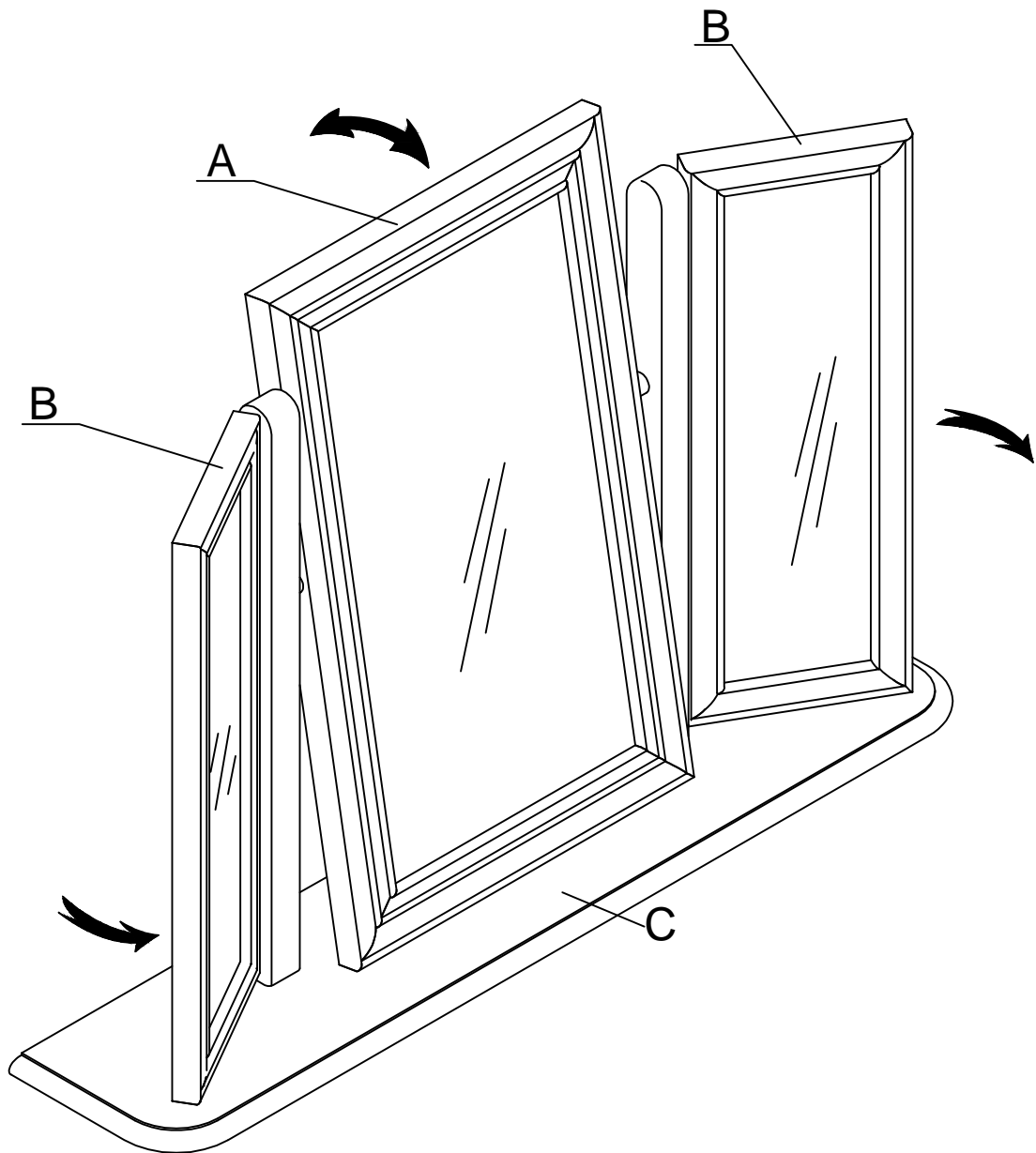

Bedrooms by
feather & black
Provence Collection
Gallery Mirror



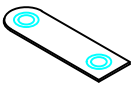

Step By Step Assembly Instructions

PRE-ASSEMBLY PREPARATION

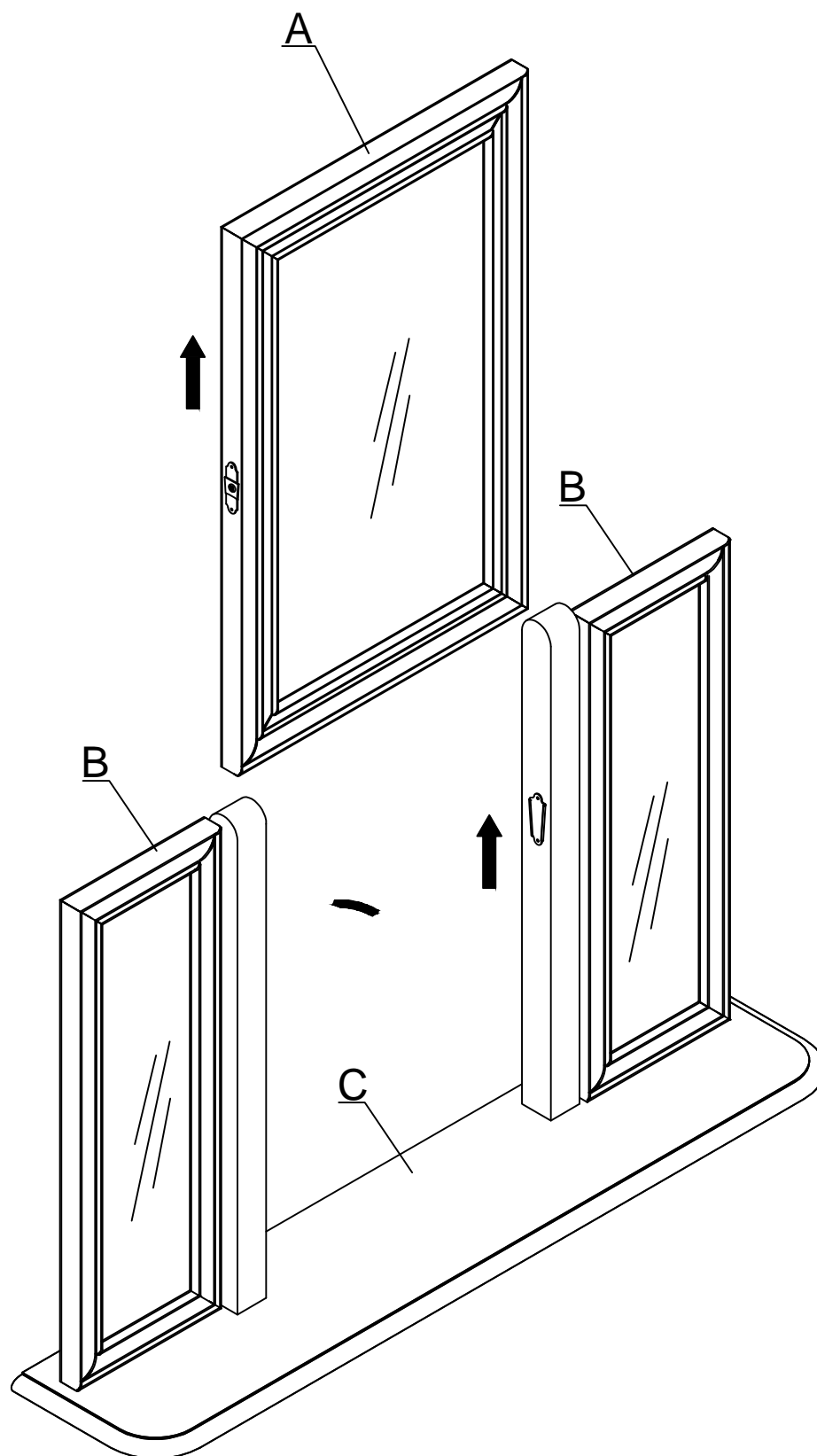
1. Please check the part contents before attempting to assemble this product. A full checklist of components is given in this leaflet. If any components are missing, please contact the retailer from whom you bought this product.
2. This product is **HEAVY**, it should be assembled as near as possible to the point of use. **TAKE CARE WHEN LIFTING** to avoid personal injury and (or) damage to the product.
3. This product takes approximately 20 MINUTES to assemble with **2 PEOPLE**.
4. The fittings pack contains **SMALL ITEMS** which should be **KEPT AWAY FROM YOUNG CHILDREN**.
5. Read this leaflet in full before commencing assembly.
6. You will require a cross headed screwdriver (not provided) to assemble this product.



Panel and Fittings Identification

Item	Description	Qty.	Item	Description	Qty.	Item	Description	Qty.
A	Centre Mirror	1	B	Side Mirror	2	C	Mirror Base	1
D	Bracket 	2	E	Wood Screw 	4			

Step ① -The centre mirror (A) is pre-installed by the vendor, but it can be removed as below diagram.



Step ② -With the aid of an assistant lift the Gallery mirror on top of the Dressing Table. Position it on top of the Dressing Table so that it is centered (evenly divided) from end to end and flush (even) at the back. Secure the mirror on top of the Dressing Table using two brackets (D) and four screws (E). See below Diagram.

Fittings

