

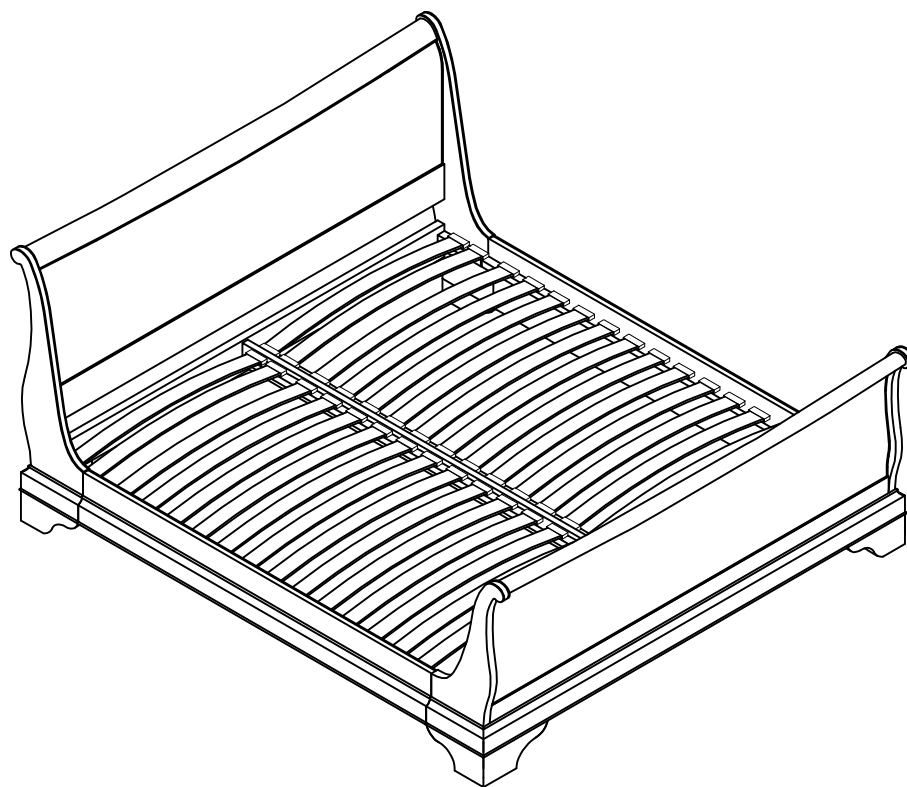
Provence Collection

Universal Assembly Instruction

135cm Double Bed

150cm King Size Bed

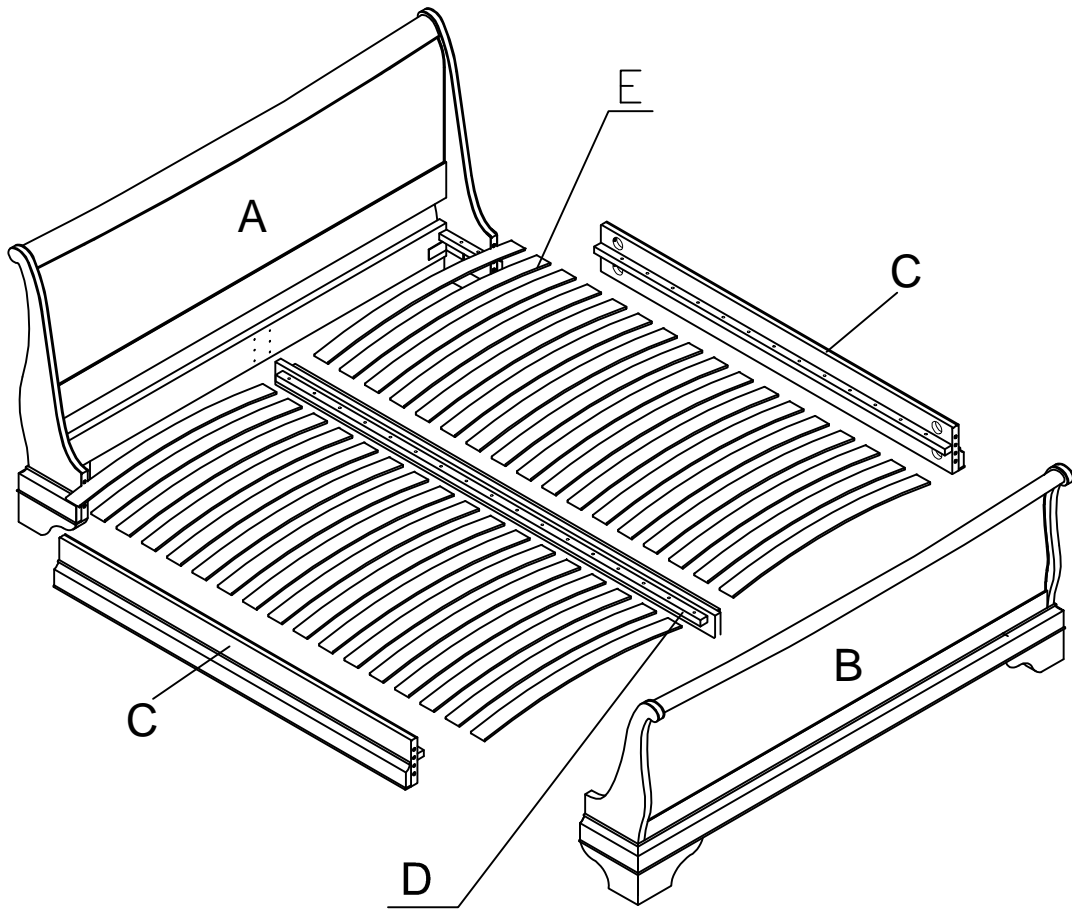
180cm Super King Size Bed




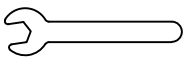



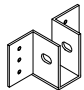
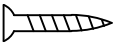

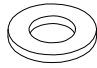

Step By Step Assembly Instructions

PRE-ASSEMBLY PREPARATION

1. Please check the part contents before attempting to assemble this product. A full checklist of components is given in this leaflet. If any components are missing, please contact the retailer from whom you bought this product.
2. This product is **HEAVY**, it should be assembled as near as possible to the point of use. **TAKE CARE WHEN LIFTING** to avoid personal injury and (or) damage to the product.
3. This product takes approximately **60 MINUTES** to assemble with **2 PEOPLE**.
4. The fittings pack contains **SMALL ITEMS** which should be **KEPT AWAY FROM YOUNG CHILDREN**.
5. Read this leaflet in full before commencing assembly.
6. You will require a cross head screwdriver (not provided) and a spanner (provided) to assemble this product.



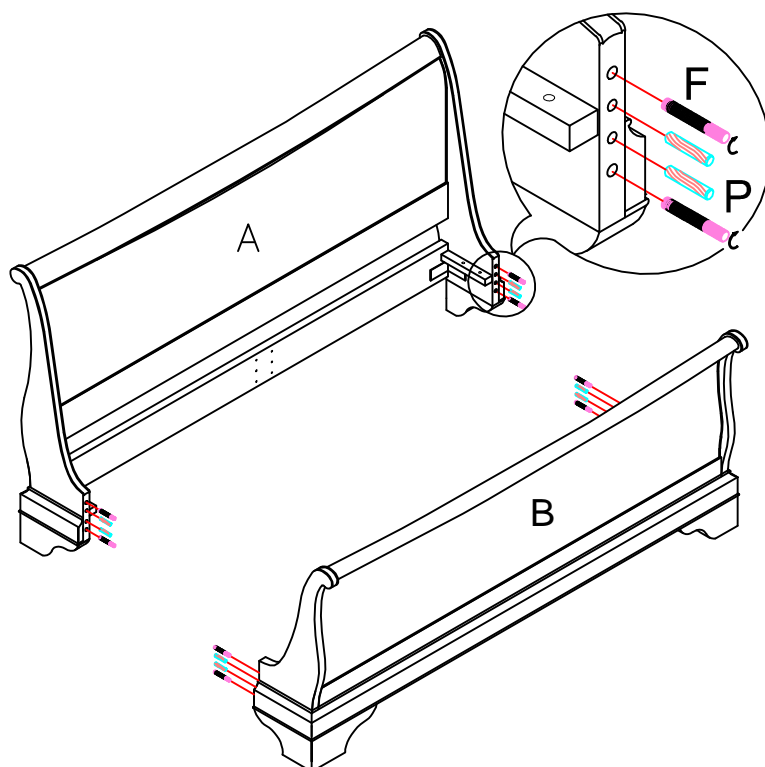
Panel and Fittings Identification

Item	Description	Qty.	Item	Description	Qty.	Item	Description	Qty.
A	Headboard	1	B	Footboard	1	C	Side Rail	2
D	Centre Rail	1	E	Slat 135cm 150cm/180cm	32 34	F	90mm Thread 	8
G	12mm Spanner 	2	H	Flat Washer 	8	I	Spring Washer 	8
J	Nut 	10	K	Slats cap 135cm 150cm/180cm	64 68	L	Bracket 	2
M	Screw 	12	N	Bolt 	2	O	Flat Washer 	2
P	Dowel 	8						

Step ① -Insert four wooden dowels (P) into the headboard (A) and footboard (B). This will assist in the alignment of the side rail. Screw the eight threads (F) into the headboard (A) and footboard (B) and tighten by hand. Ensuring that there is enough thread remaining for attachment in Step 2.

 P x 8


 F x 8



Step ② -Locate the side rails (C) onto the dowels (P) and threads (F) protruding from the headboard (A) and footboard (B). Locate the washer (H & I) and nut (J) onto the threads (F) and secure by hand at first. Tighten using the open ended spanner (G) (provided).

 H x 8

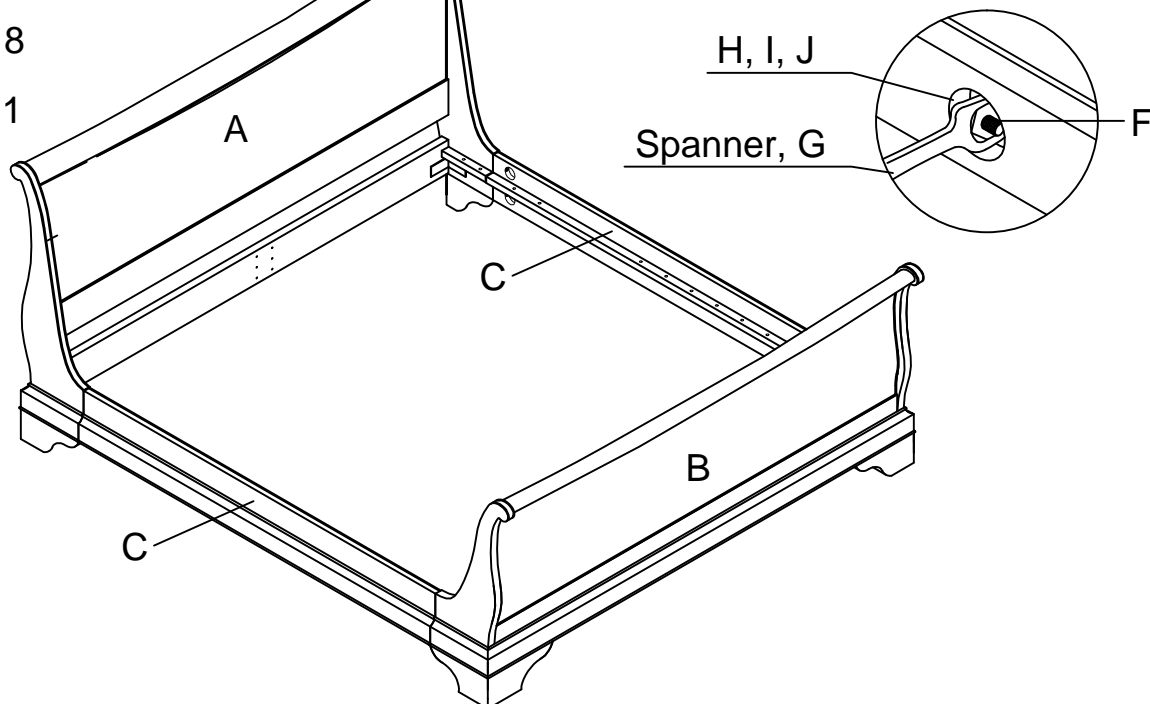
 I x 8

 J x 8

 G x 1

Please note:

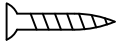
The hole in the slat support rail should be facing upwards.



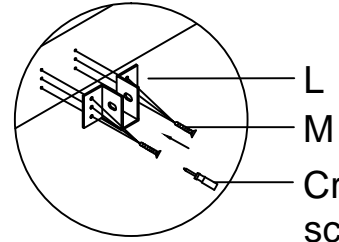
Step ③ -Attach the brackets (L) to the headboard and footboard using the screws (M) inserted into the pre-drilled pilot holes. Tighten using a cross head screwdriver (Not provided).



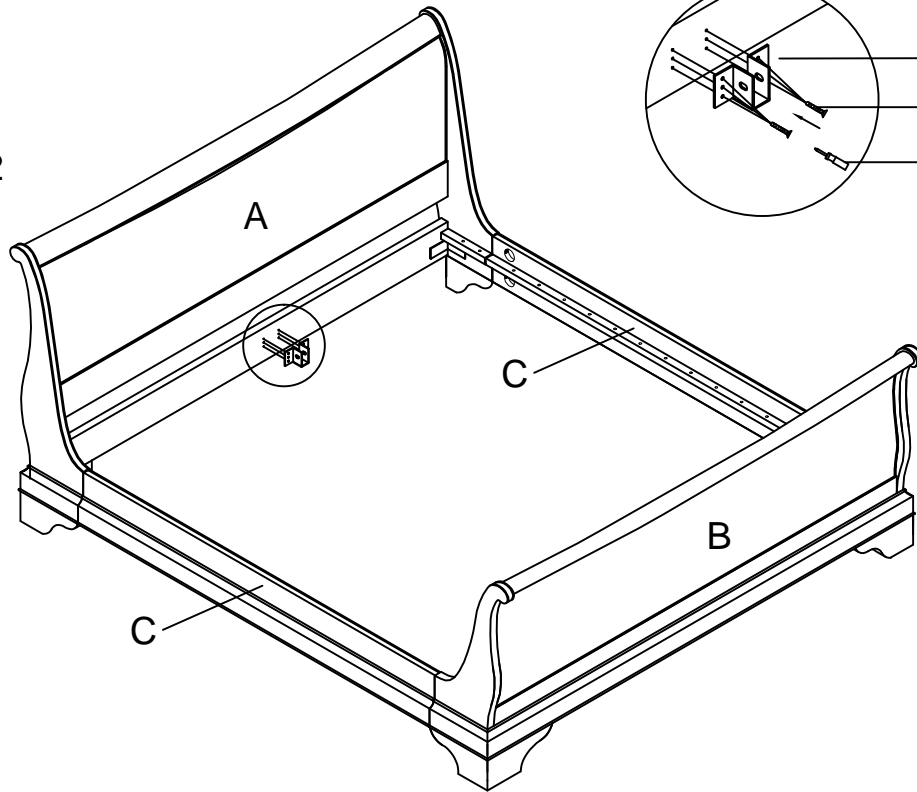
L x 2



M x 12



L
M
Crosshead
screwdriver
(Not provided)



Step ④ -Locate the centre rail (D) into the brackets. Secure using the remaining nuts (J), flat washers (O) and bolts (N). Tighten using two spanners (G).



N x 2



O x 2



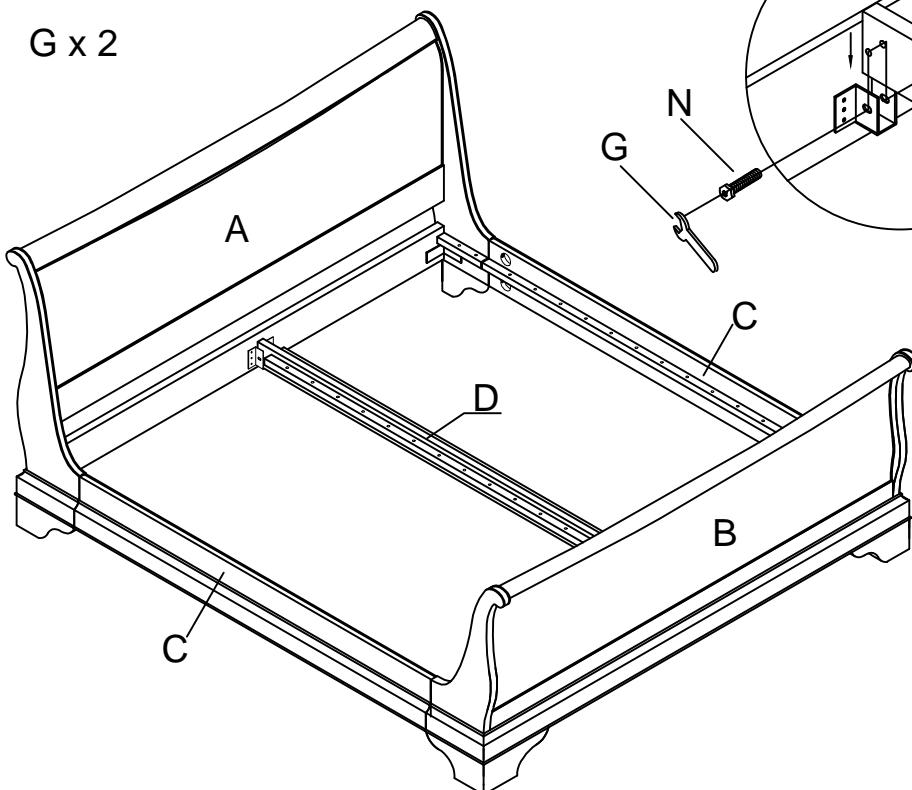
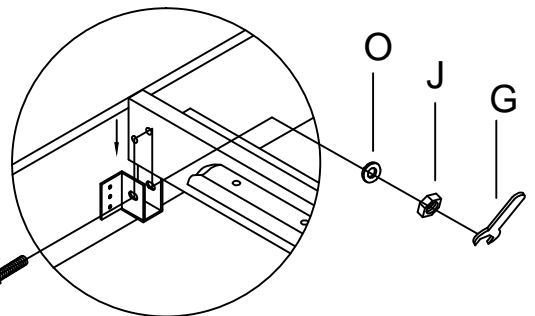
J x 2



G x 2

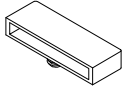
Please note.

The holes in the centre rail should be facing upwards.



Step ⑤ -Push fit two plastic caps (K) onto either end of each slat (E). Push fit the slat (E) into the pre-drilled pilot holes. Please note that the slat may need to be pushed flat to ease installation. It may also require a light tap with a soft hammer to secure the plastic end caps into the holes. Repeat this step with the other slats (E).

The assembly is now complete.



135cm x 64
150cm/180cm x 68

