

Bedrooms by
feather & black

ercol

pimlico beds

I0PIM 4000/I0PIM 5000 double/kingsize beds

Thank you for purchasing this pimlico bed. Please read the instructions carefully before use to ensure safe and satisfactory operation of this product.



This item is **HEAVY**



Necessary Tools



Pre-assembly preparation

Please ensure instructions are read in full before attempting to assemble this product.


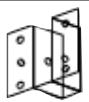





Please check the pack contents before attempting to assemble this product. A full checklist of components is given in this leaflet. If any components are missing, please contact the retailer from whom you bought this product.

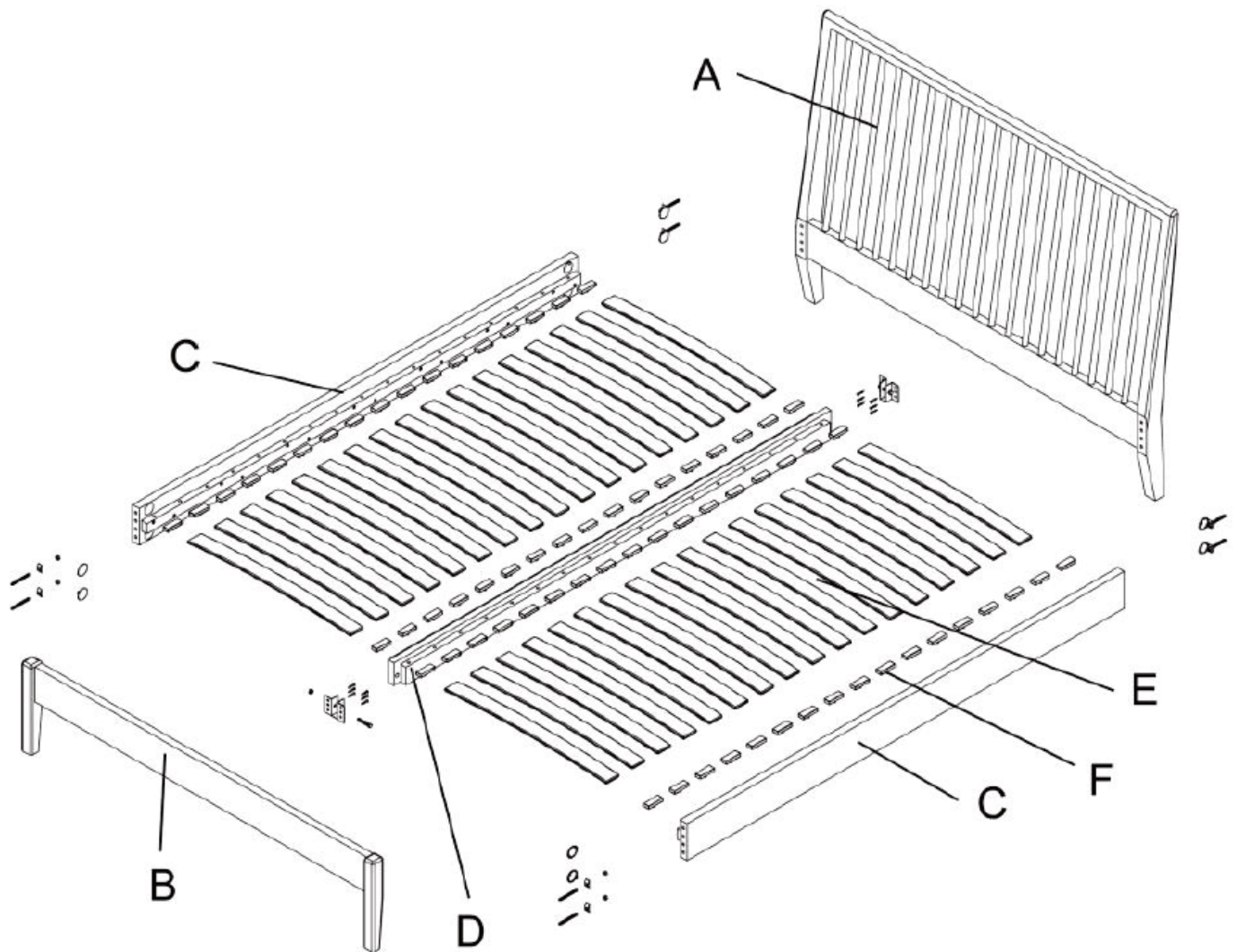
This product is **HEAVY**, it should be assembled as near as possible to the point of use. **TAKE CARE WHEN LIFTING** to avoid personal injury and (or) damage to the product.

This product takes approximately **20 MINUTES** to assemble with **2 PEOPLE**.

The fittings pack contains **SMALL ITEMS** which should be **KEPT AWAY FROM YOUNG CHILDREN**.

Fittings and parts checklist

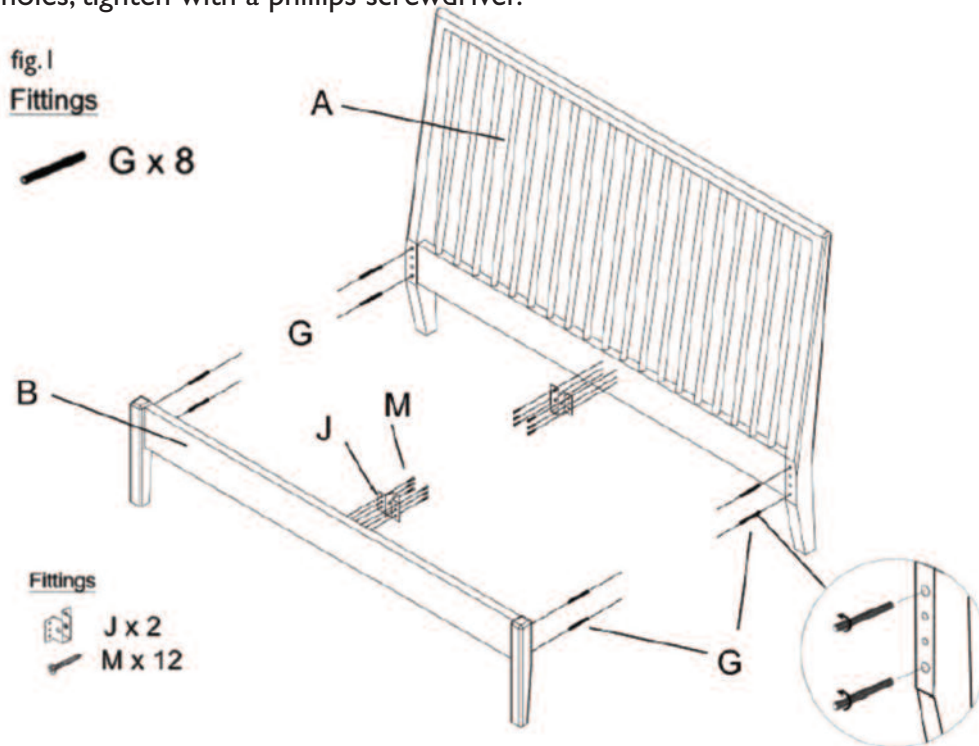
A	Headboard x 1	I	Spanner x 1	
B	Footboard x 1	J	Central brackets x 2	
C	Side rails x 2	K	allen key bolts x 2	
D	Centre rail x 1	L	Nuts x 2	
E	Slats double bed x 32 Slats king size x 34	M	Screws x 12	
F	Ends for slats double x 64 Ends for slats king size x 68	N	Allen key x 1	
G	Threads x 8	O	Nuts x 8	
H	Half moon washer			



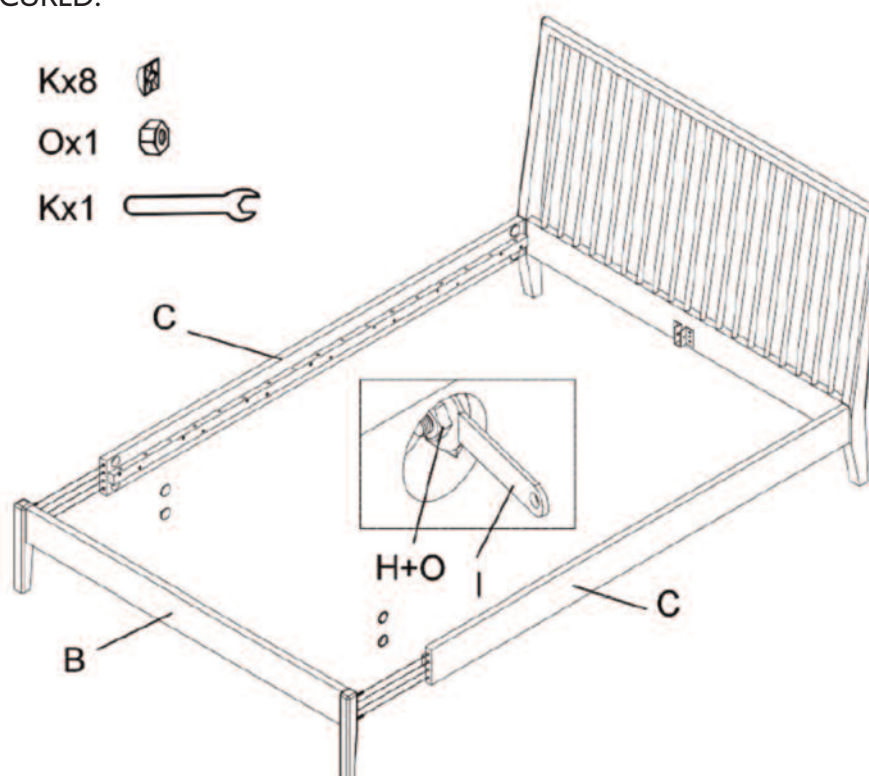
Step by step assembly instructions

Step One

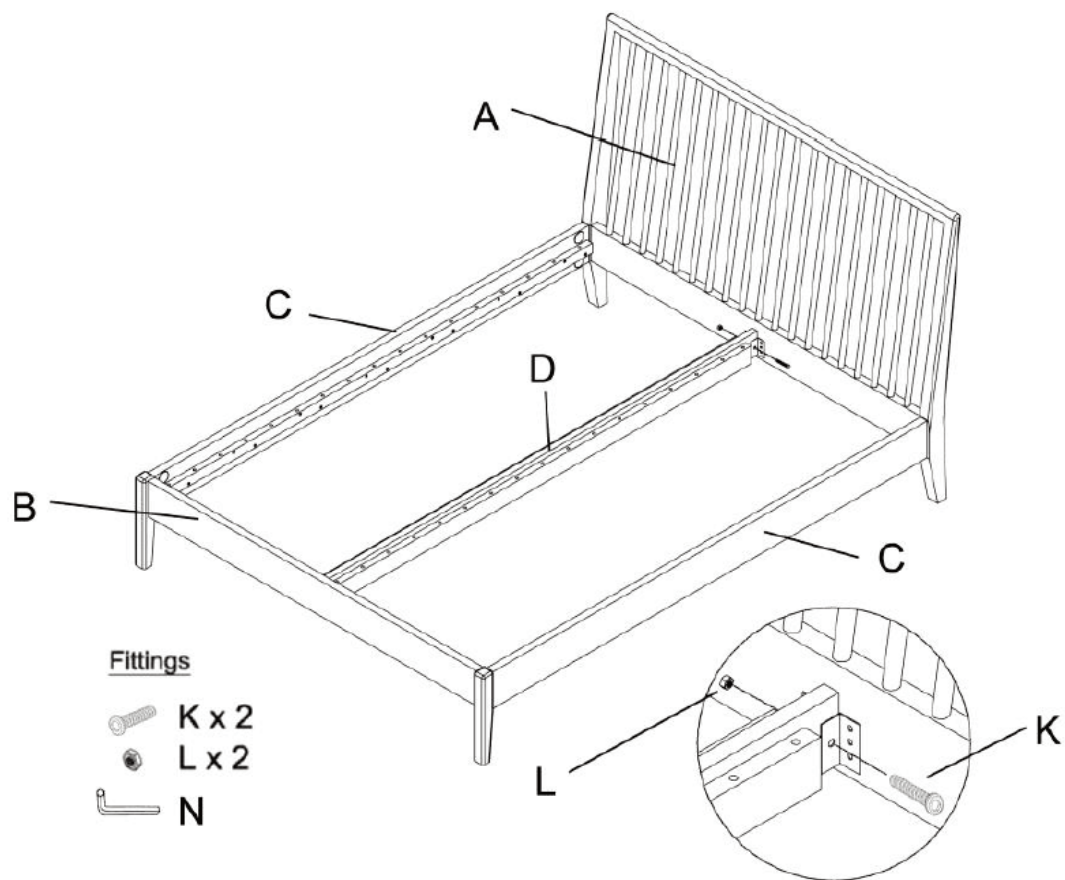
1. Push the 8 threads into the headboard and the footboard as shown below.
Tighten the threads by hand ensuring that there is approximately half of the threads still showing.
2. Using the 12 x 20mm screws, attach the two brackets into the headboard and the footboard using the pre-drilled holes, tighten with a phillips screwdriver.



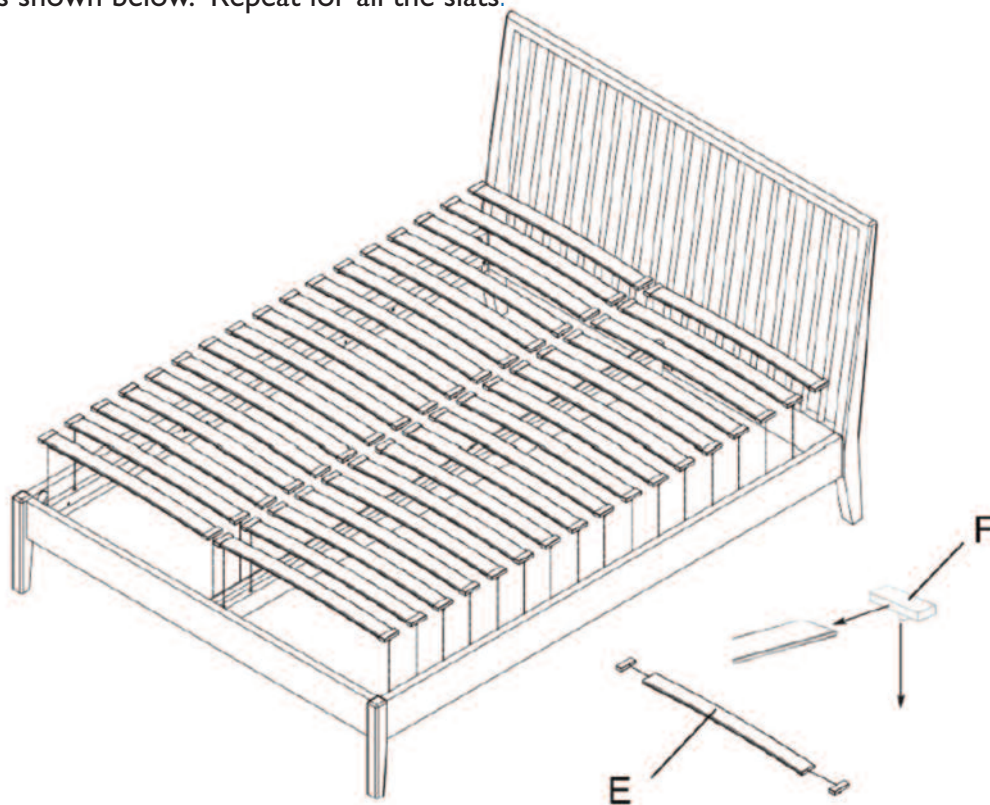
3. Making sure the holes in the slat support rails, C, are facing upwards, locate the side rails onto the protruding threads on the headboard and foot board. As you do this, slide a half moon washer onto the thread when it comes through into the circular hole in the side of the rail, then screw on one of the 8 nuts FINGER TIGHT ONLY. Repeat with the other 3 corners. then TIGHTEN FIRMLY WHEN ALL FOUR CORNERS ARE SECURED.



4. Making sure the holes in the centre rail are facing upwards, put the centre rail into the two brackets. Secure it in place using the 2 x 40mm bolts, and the 2 small nuts.



5. Push a plastic cap onto each end of a slat and with the peg facing downwards push the slat into the pre drilled holes as shown below. Repeat for all the slats.



Care and maintenance

Wood Furniture

Wood displays different grain patterns depending on which way it is cut - for example, the 'medullary ray' which can appear on oak furniture is a mark of good quality timber - these are just characteristics of the natural beauty of the wood. Some furniture is also deliberately aged and rustic.

All timber surfaces will change colour and mellow over time. New furniture will initially vary in shade from items that have been previously purchased.

How to care for your wood furniture

Furniture with a hard lacquer, wax polish or painted surface should be dusted with a dry cloth.

When using the surface for serving food and drinks it is best to use protective mats and coasters.

Spillages should be wiped up as soon as possible.

Spray polishes are best avoided as they contain silicones which may spoil the furniture's surface by building up over time. **Use of cleaning materials containing abrasive compounds, acidic or caustic reagents and any bleaches containing oxidising reagents should be avoided as prolonged use may damage the lacquer surface.**

Wipe up spills immediately. If sticky marks occur on the surface they can be removed with a dilute solution of warm soapy water. **The offending area should be rubbed lightly and then completely dried immediately afterwards, before replacing any mats etc.**

Our furniture will endure most temperatures in the home but it is best to avoid placing furniture next to heat sources such as radiators or fires. Be particularly careful with solid wood as the lack of humidity caused by central heating can cause damage such as warping.

Safety Instructions

Never drag furniture when moving it, always lift it. Please take care when handling or moving the furniture as careless handling may cause damage or injury. No liability will be accepted for damage or injury caused by incorrectly installed furniture.

PLEASE KEEP THESE INSTRUCTIONS FOR FUTURE REFERENCE

Feather & Black, Terminus Road, Chichester. West Sussex. PO19 8ZZ 01243 380601 www.featherandblack.com