

feather&black

Oscar Chest of Drawers

Care Instructions



Mirror Sold Separately

Welcome to the Feather & Black community.

Since 2004, we've been passionately helping our customers create beautiful bedrooms with an exceptional level of quality and expertise. We know your home is a truly special place, so it's a responsibility we don't take lightly. That's why all of our furniture is handcrafted using only the finest materials. Considering every fine detail, every twist, turn and corner, we create pieces that truly reflect your style.

We hope you love this stunning new addition to your home. If we can be of any assistance, please don't hesitate to get in touch with us. You can call 01243 380600 (option 2), email customerservices@featherandblack.com or chat with a member of our team live at [featherandblack.com](https://www.featherandblack.com).

We simply adore seeing our furniture come to life in its forever home, so don't forget to share your style with the world. We'd love for you to tag us on Instagram @featherandblack and include #featherandblack so we can bask in its beauty too!

From our home to yours, thank you for choosing thoughtfully crafted furniture that's made to be cherished.

Sincerley,

The Feather & Black Team

Oscar Chest of Drawers

Before you start

Thank you for purchasing this Oscar chest of drawers.

Product Safety

Periodically check and ensure that all components are in their proper position, free from damage, and that all connectors are tight. Please note depending on the lighting, positioning and surroundings of your room, the shade of the colour can sometimes appear slightly different. Over a period of time the colour might lighten or fade slightly due to light exposure.

Product Care

To clean, slightly moisten cloth with water and wipe surfaces. A damp cloth holds dust and prevents damage. Repeat with a dry, soft, lint-free cloth. Do not use abrasives or cleaning products which may contain ammonia or solvents.

Anti-tip safety kit

We recommend using the supplied kit* to attach all draws and wardrobes to the wall to avoid any risk of tipping in use. Please ensure the correct wall fixing for your wall (not supplied).

Missing parts or faulty products

If you are missing any fixtures or fittings during assembly, or a part is unfortunately faulty please call our customer service team on 01243 380600.

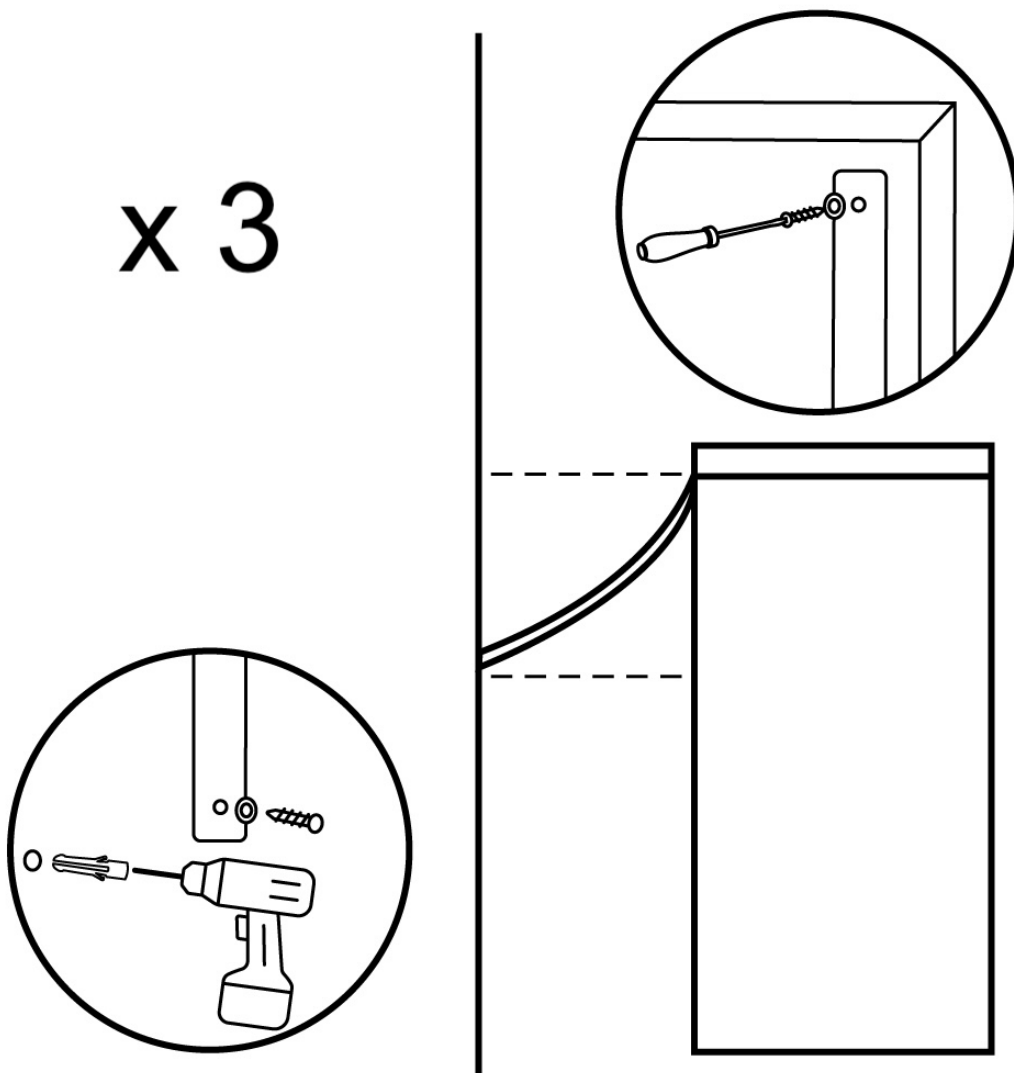
** Please be aware that only certain products require anti-tipping kits. These will only be supplied as necessary, so please don't worry if this is not included with your items.*

feather&black

Oscar Chest of Drawers

1. Screw the 3 x Fabric Anti-Tip Straps to the back of the assembled unit into the pre-drilled holes using the screws provided. Attach the other side of the Anti-Tip Straps to the Wall.

x 3



feather&black

featherandblack.com