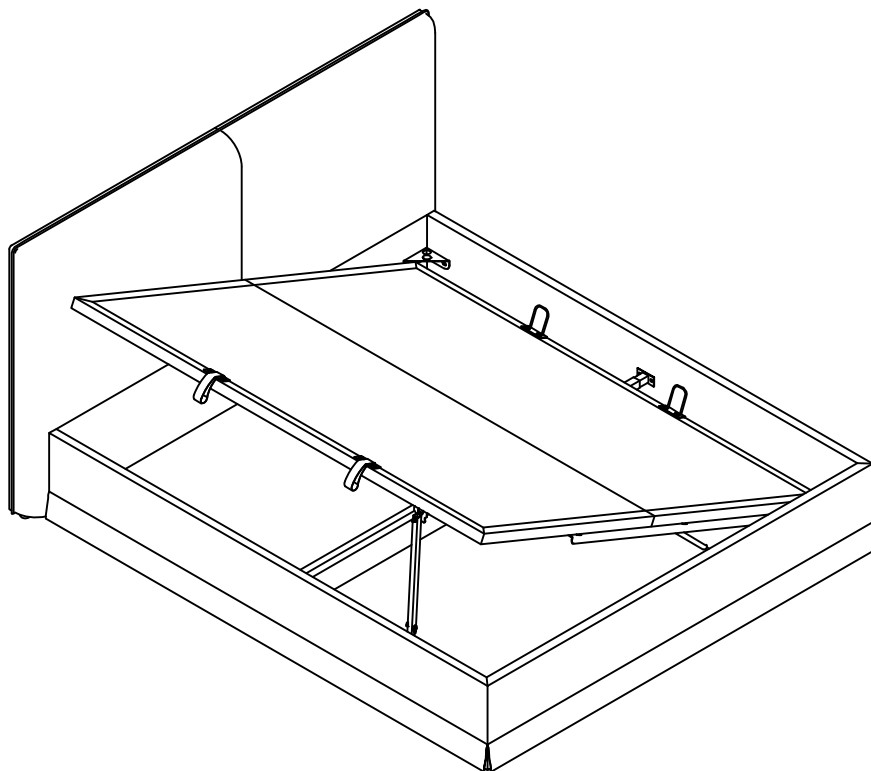


FEATHER & BLACK

Orla Ottoman Bed ASSEMBLY GUIDE



WELCOME TO THE FEATHER & BLACK COMMUNITY.

Since 2004, we've been dedicated to creating beautifully crafted bedroom furniture that's made to last. We believe your home is a reflection of you, that's why every piece we create is thoughtfully designed and carefully finished.

We hope your new addition feels right at home. If you need anything at all, our team is here to help – simply call 01494 415 399 (option 2), email customer services @featherandblack.com, or chat to us live at featherandblack.com.

We love seeing our designs styled in real homes – so if you're happy to share, tag us on Instagram @featherandblack and use #featherandblack.

From our home to yours, thank you for choosing furniture that's made to be lived in and loved for life.

THE FEATHER & BLACK TEAM

PLEASE RETAIN THESE ASSEMBLY INSTRUCTIONS FOR FUTURE USE

FEATHER & BLACK

Orla Ottoman Bed

BEFORE YOU START

IMPORTANT SAFETY INFORMATION - READ CAREFULLY - RETAIN FOR FUTURE REFERENCE

- **ADULT OPERATION ONLY**
Not recommended for the use by children under the age of 12 years old. Please note ease of operation is dependent on height and strength of user.
- **KEEP CHILDREN AND PETS AWAY:**
Ensure children and pets stay away from the storage area. Do not stand inside the internal storage area of the bed.
- **AVOID ENTRAPMENT**
Always lift the bed with the mattress in place, using the handle(s) to lift and lower the base, keeping clear of the mechanism.
- **FULLY OPEN OTTOMAN:**
Ensure the ottoman is fully opened before accessing the storage area.
- **AVOID HINGE AREA:**
Do not reach into the storage area through the hinge mechanism.
- **MAINTENANCE**
Regularly inspect your bed to ensure it is functioning correctly.
- **DO NOT EXCEED THE MAXIMUM WEIGHT LIMIT SPECIFIED IN THE TABLE BELOW.**
Ensure the combined bedding and mattress weight is within the recommended weight guidance.

BED	BED SIZE	MIN WEIGHT (KG)	MAX WEIGHT (KG)
Orla Ottoman Bed	Double	20	70
	King	20	70
	Super King	20	85



FEATHER & BLACK

Orla Ottoman Bed

BEFORE YOU START

Thank you for purchasing this Orla ottoman bed.

Please read these instructions fully prior to assembly to familiarise yourself with the various stages of construction. Carefully open all packs supplied and check the contents against the parts and fittings check list.

Do not destroy any of the packaging until you are certain that you have all the necessary parts for the assembly.

This item is heavy once assembled. Please try to assemble the item as close as possible to the point of use. Take care when moving the item to avoid personal injury or damage to the product and always lift rather than drag.

There are small components used in the construction of this furniture as well as plastic packaging, these should be kept away from young children whilst assembling.

PRODUCT SAFETY

All assembly fastenings should always be tightened properly, and care should be taken to ensure that no fittings are loose.

Periodically check and ensure that all components are in their proper position, free from damage, and that all connectors are tight.

Please note depending on the lighting, positioning and surroundings of your room, the shade of the colour can sometimes appear slightly different. Over a period of time the colour might lighten or fade slightly due to light exposure.

PRODUCT CARE

To clean, slightly moisten cloth with water and wipe surfaces. A damp cloth holds dust and prevents damage. repeat with a dry, soft, lint-free cloth. Do not use abrasives or cleaning products which may contain ammonia or solvents.

NUMBER OF PEOPLE REQUIRED TO ASSEMBLE

Two people to assemble the product and two people to lift in to position.



IMPORTANT ADVICE

Do not operate the mechanism with anybody on the bed. Always lift the bed with the mattress in place.

TIME TO ASSEMBLE

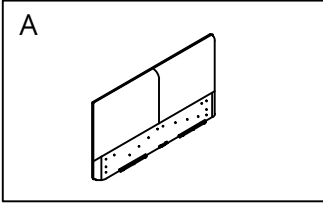


(1.5 hour)

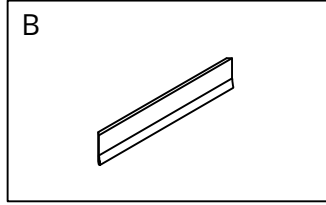
FEATHER & BLACK

Orla Ottoman Bed

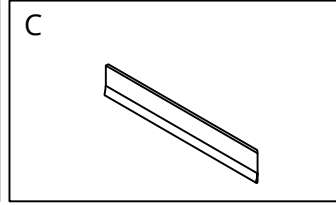
COMPONENTS SUPPLIED (NOT ACTUAL SIZE)



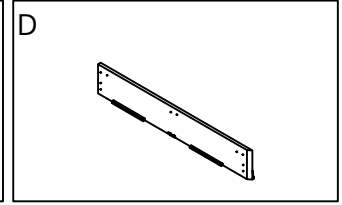
Ref: Headboard
Quantity: 1 pc
Box Number: 1



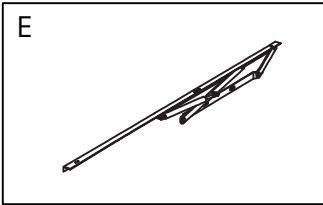
Ref: Footboard
Quantity: 1 pc
Box Number: 2



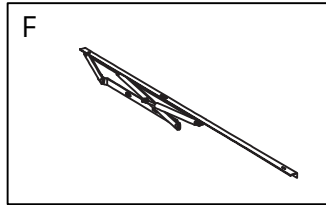
Ref: Side Rail-LH
Quantity: 1 pc
Box Number: 2



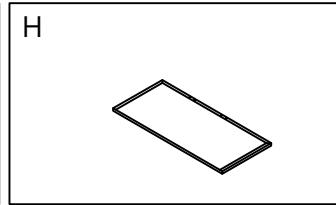
Ref: Side Rail-RH
Quantity: 1 pc
Box Number: 2



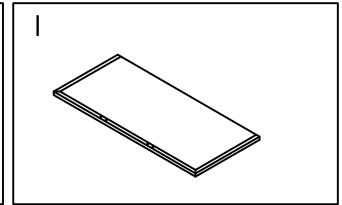
Ref: Gas-lift Mechanism
- Left
Quantity: 1 pc
Box Number: 2



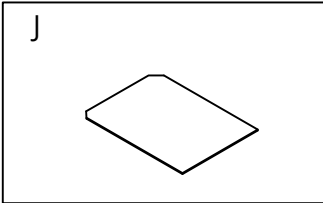
Ref: Gas-lift Mechanism
- Right
Quantity: 1 pc
Box Number: 2



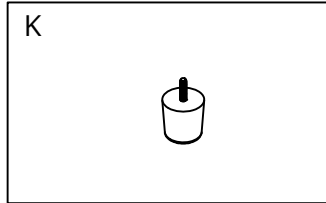
Ref: Mattress Base Board
- Lower
Quantity: 1 pc
Box Number: 3



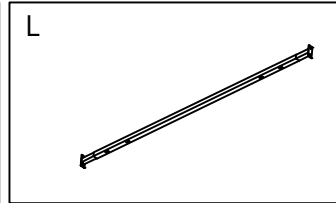
Ref: Mattress Base Board
- Upper
Quantity: 1 pc
Box Number: 3



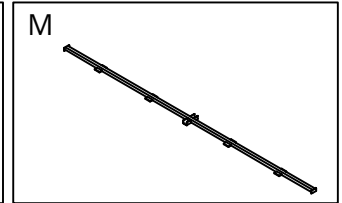
Ref: Storage Base Boards
Quantity: 4 pcs
Box Number: 4



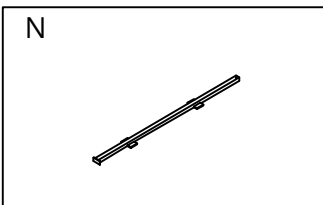
Ref: Feet
Quantity: 2 pcs
Box Number: 2



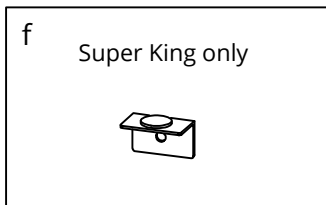
Ref: Adjustable Side
Rail Cross Bar
Quantity: 1 pc
Box Number: 2



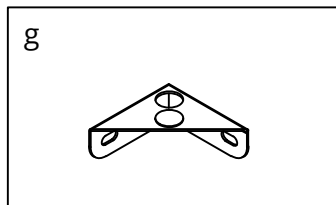
Ref: Centre Support
Quantity: 1 pc
Box Number: 2



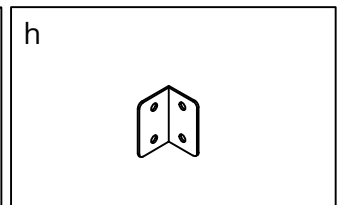
Ref: Cross Bar
Quantity: 2 pcs
Box Number: 2



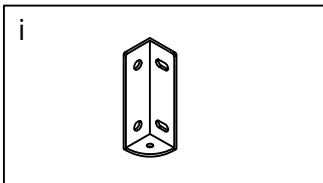
Ref: Base Support Bracket
Quantity: 2pcs
Box Number: 2



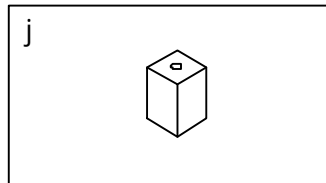
Ref: Angled Corner Bracket
Quantity: 4pcs
Box Number: 3



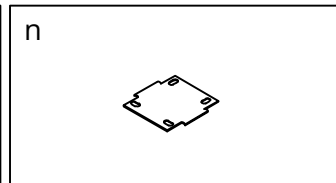
Ref: Corner Bracket For HB
Quantity: 2pcs
Box Number: 2



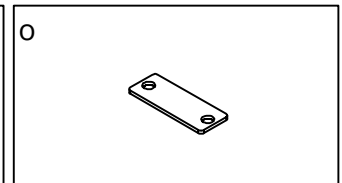
Ref: Triangular Corner
Bracket For FB
Quantity: 2pcs
Box Number: 2



Ref: Adjustable Leg for
Centre Support
Quantity: 1pc
Box Number: 2



Ref: Metal connection plate
Quantity: 4pcs
Box Number: 2



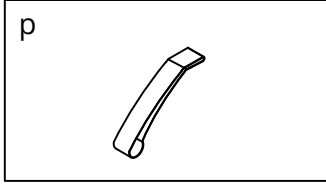
Ref: Metal Plate For Fabric
hand strap
Quantity: 2pcs
Box Number: 2



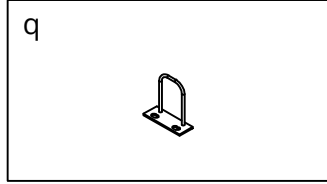
FEATHER & BLACK

Orla Ottoman Bed

COMPONENTS SUPPLIED (NOT ACTUAL SIZE)



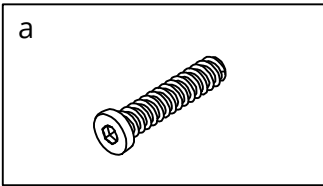
Ref: Fabric Hand Straps
Quantity: 2pcs
Box Number: 2



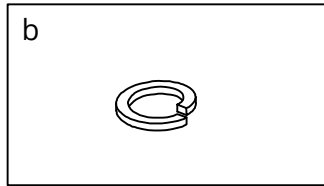
Ref: Mattress Stoppers
Quantity: 2pcs
Box Number: 2

FIXTURES & FITTINGS SUPPLIED (NOT ACTUAL SIZE)

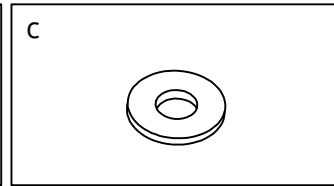
Hardware needed for fixing side rails & gas-lift mechanisms to headboard & footboard
Hardware pack (A)



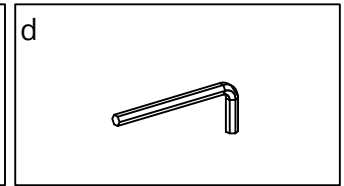
Ref: Bolts (M8x30mm)
Quantity:
Double&King x45pcs
Super king x47pcs
Box Number: 2



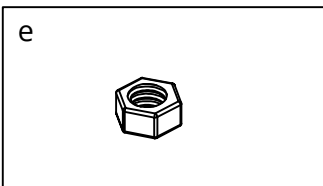
Ref: Spring washer for M8
Quantity:
Double&King x46pcs
Super king x48pcs
Box Number: 2



Ref: Flat washer for M8
Quantity:
Double&King x46pcs
Super king x48pcs
Box Number: 2



Ref: Allen Key for M8 bolts
Quantity: 1pc
Box Number: 2



Ref: Nut For M8 Bolts
Quantity: 2pcs
Box Number: 2

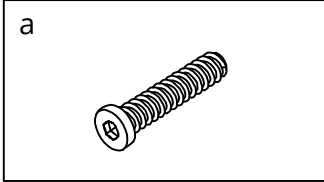


FEATHER & BLACK

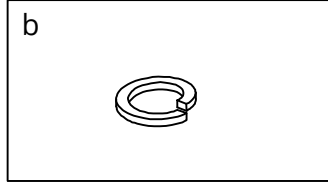
Orla Ottoman Bed

FIXTURES & FITTINGS SUPPLIED (NOT ACTUAL SIZE)

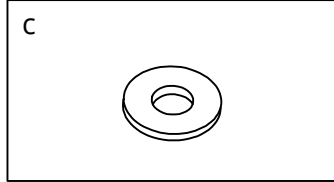
Hardware needed for fitting the mattress base boards
Hardware pack (B)



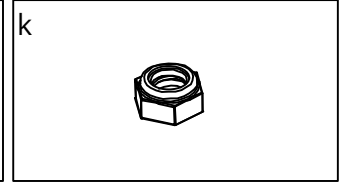
Ref: Bolts (M8x30mm)
Quantity:
Double&King x22pcs
Super king x24pcs
Box Number: 2



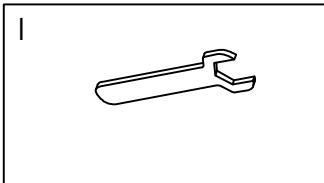
Ref: Spring washer for M8
Quantity:
Double&King x20pcs
Super king x22pcs
Box Number: 2



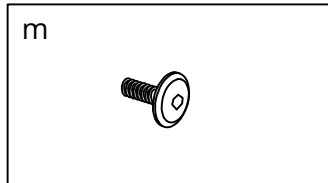
Ref: Flat washer for M8
Quantity:
Double&King x20pcs
Super king x22pcs
Box Number: 2



Ref: Flanged lock-nuts (M8)
for gas-lift pistons
Quantity: 2pcs
Box Number: 2

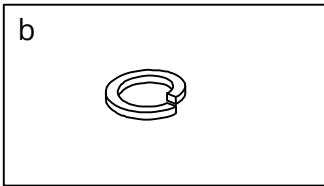


Ref: Spanner for M8 nut
Quantity: 1pc
Box Number: 2

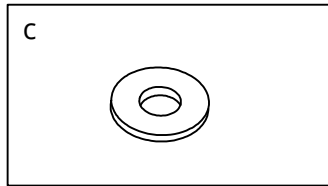


Ref: Bolt
(M8x25mm)
Quantity: 8pcs
Box Number: 2

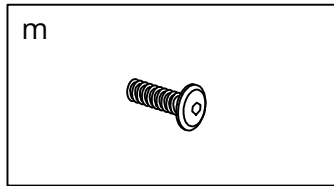
Hardware needed for fixing ottoman support bar (O.S.B) to the side rail
Hardware pack (C)



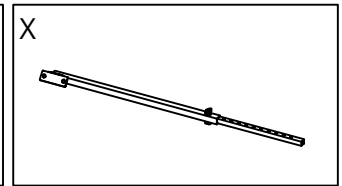
Ref: Spring washer for M8
Quantity: 5pcs
Box Number: 2



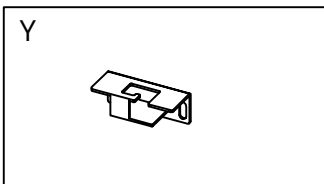
Ref: Flat washer for M8
Quantity: 5pcs
Box Number: 2



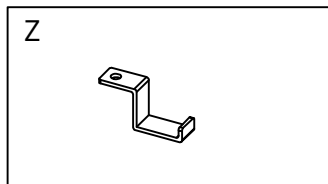
Ref: Bolts (M8x25mm) for
fitting ottoman support bar
Quantity: 5pcs
Box Number: 2



Ottoman Support Bar
Quantity: 1pc
Box Number: 2



Ref: Fixed retaining bracket
Quantity: 1pc
Box Number: 2



Ref: Parking bracket
Quantity: 1pc
Box Number: 2

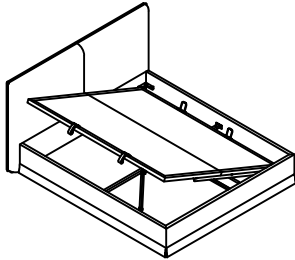


FEATHER & BLACK

Orla Ottoman Bed

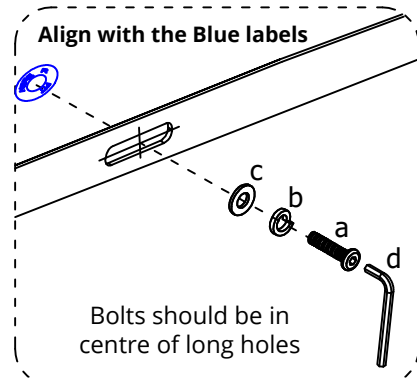
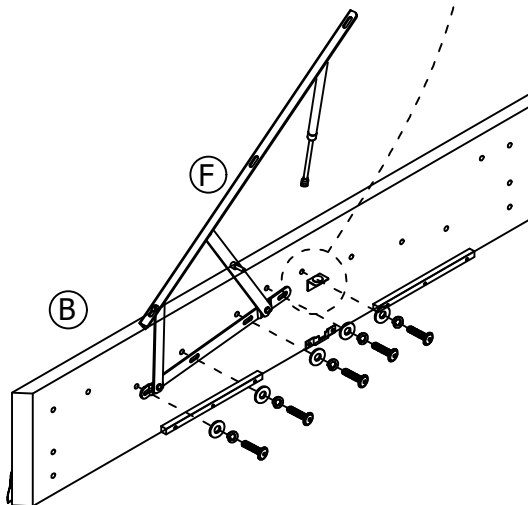
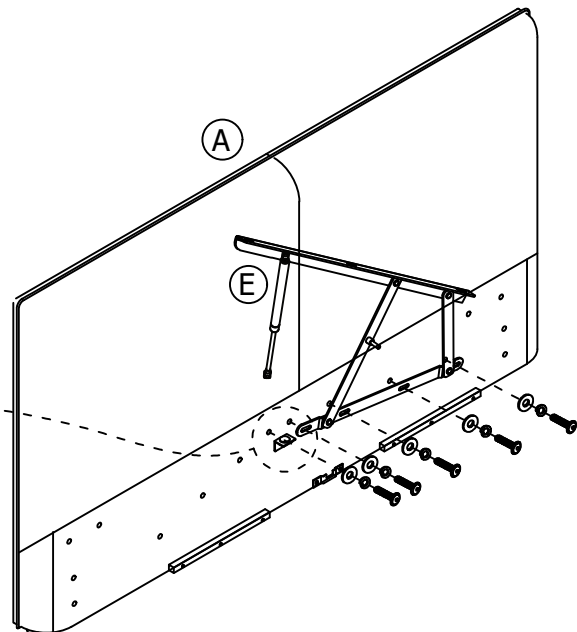
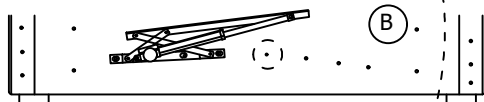
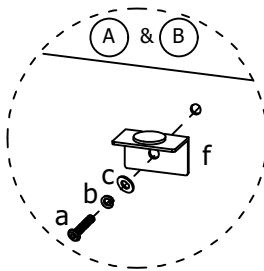
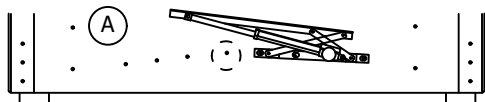
1a. Follow these instructions if you want to lift the base up from the LEFT side of the bed.









OPEN FROM LEFT



Check this diagram and if access is needed from the left side, fit both lift mechanisms to right side of the headboard & footboard. Bolt into the holes marked (R) with blue labels.

Only for Super King



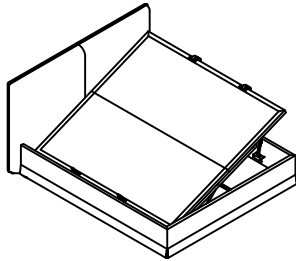
Double & King	a  x8	b  x8	c  x8	d  x1	
Super King	a  x10	b  x10	c  x10	d  x1	f  x2

FEATHER & BLACK

Orla Ottoman Bed

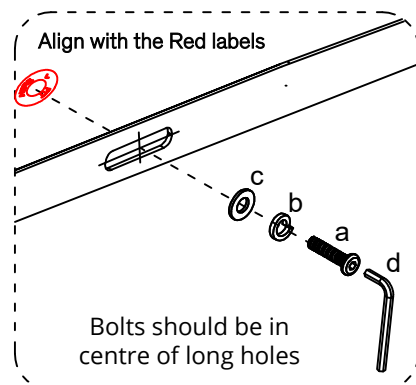
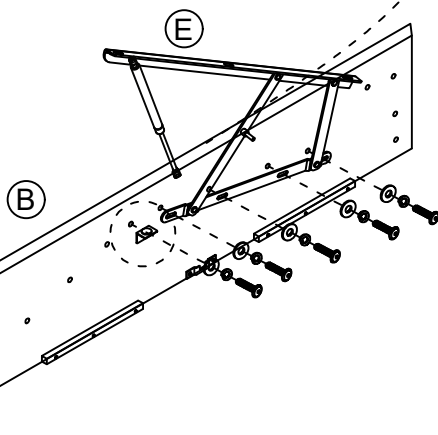
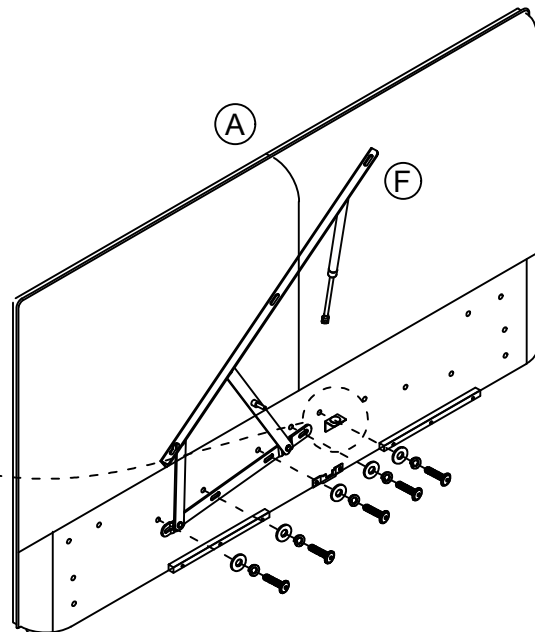
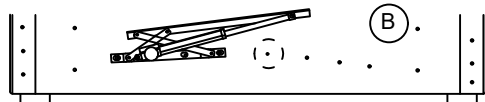
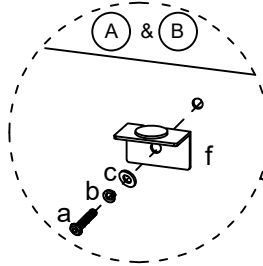
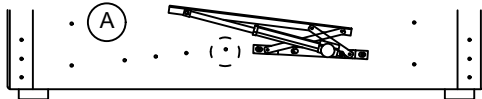
1b. Follow these instructions if you want to lift the base up from the RIGHT side of the bed.










OPEN FROM RIGHT



Check this diagram and if access is needed from the right side, fit both lift mechanisms to left side of the headboard & footboard. Bolt into the holes marked (L) with red labels.

Only for Super King

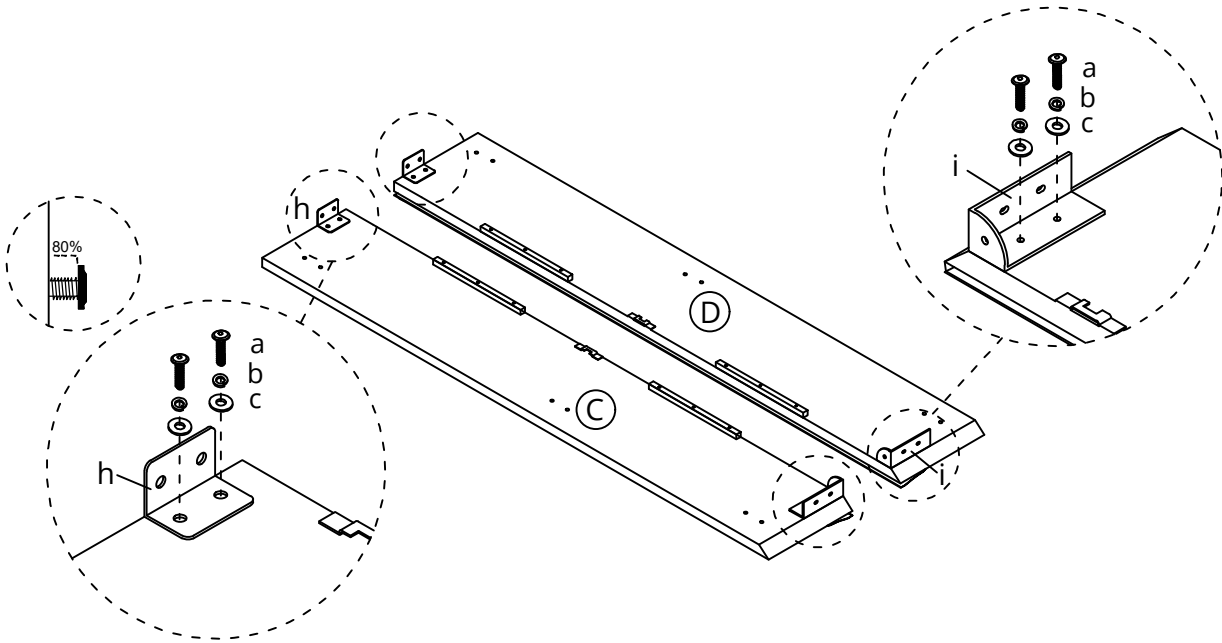








Double & King	a  x8	b  x8	c  x8	d  x1	
Super King	a  x10	b  x10	c  x10	d  x1	f  x2

FEATHER & BLACK

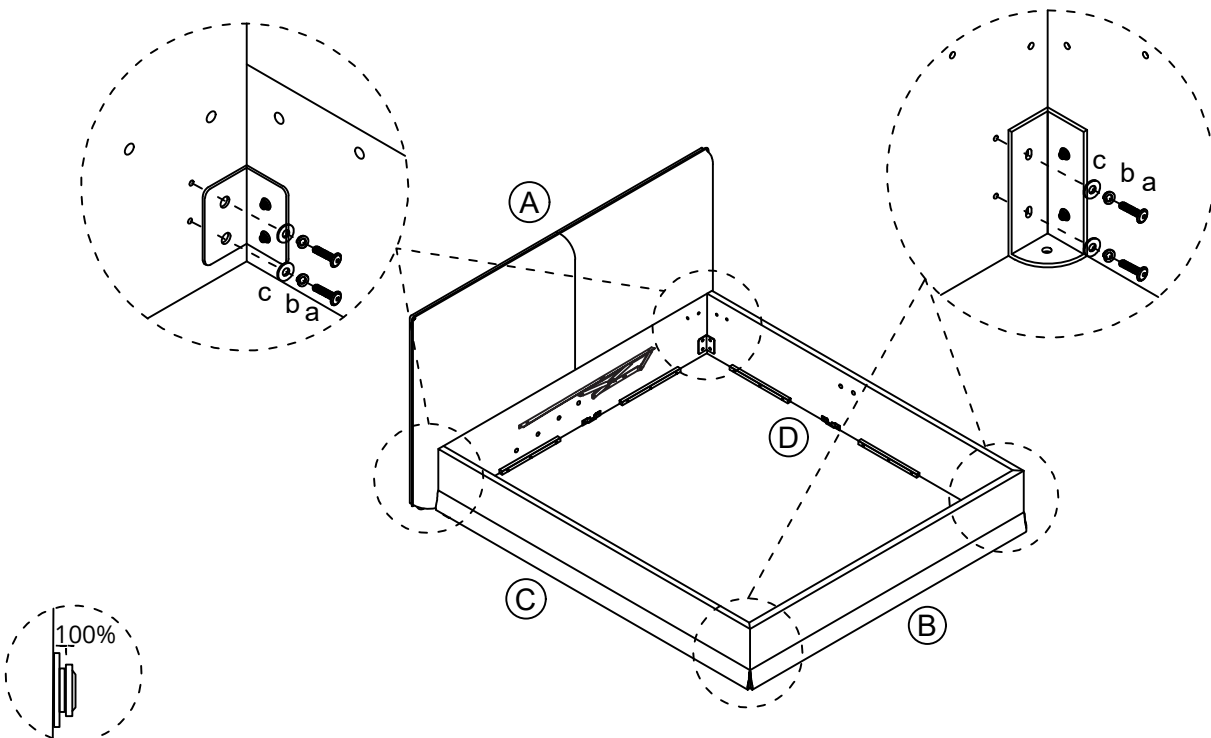
Orla Ottoman Bed





2.



a	 x8	b	 x8	c	 x8	h	 x2	i	 x2	d	 x1
---	--	---	--	---	--	---	--	---	--	---	--

3.

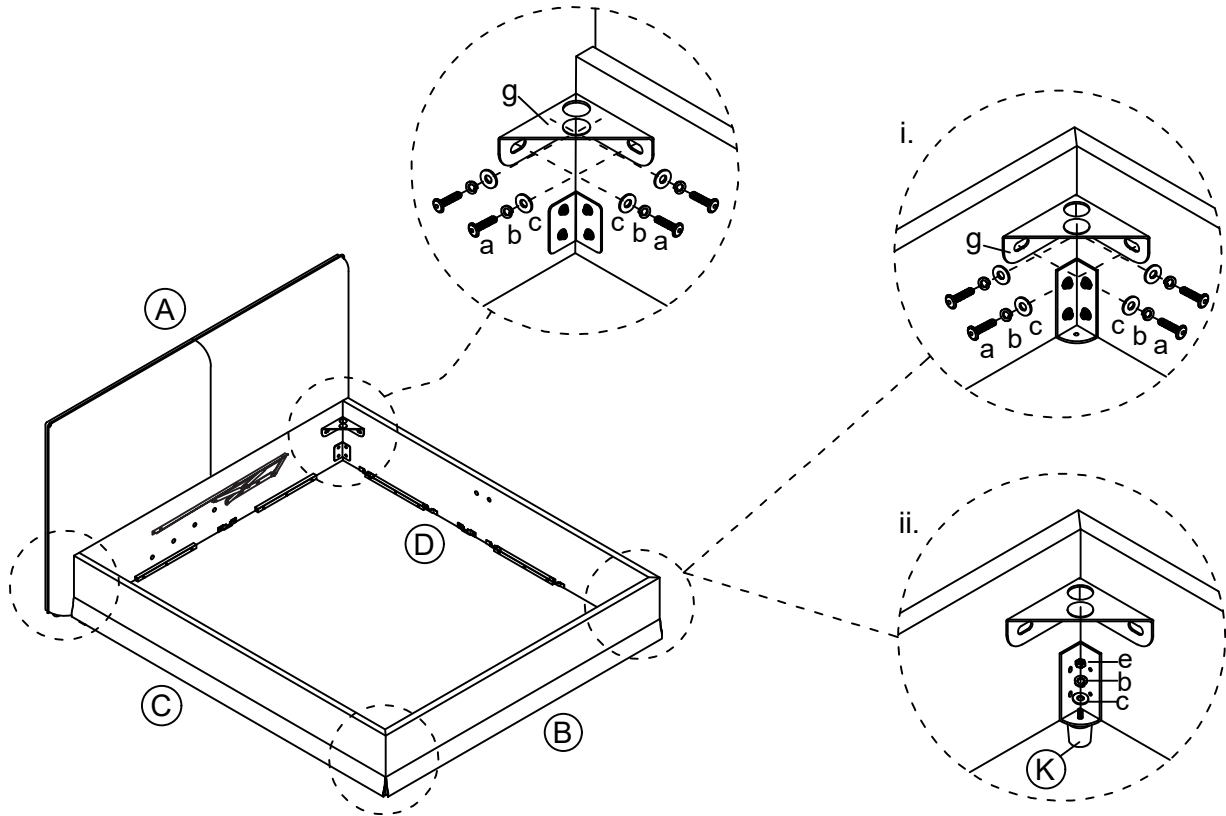


a	 x8	b	 x8	c	 x8	d	 x1
---	--	---	--	---	--	---	--

FEATHER & BLACK

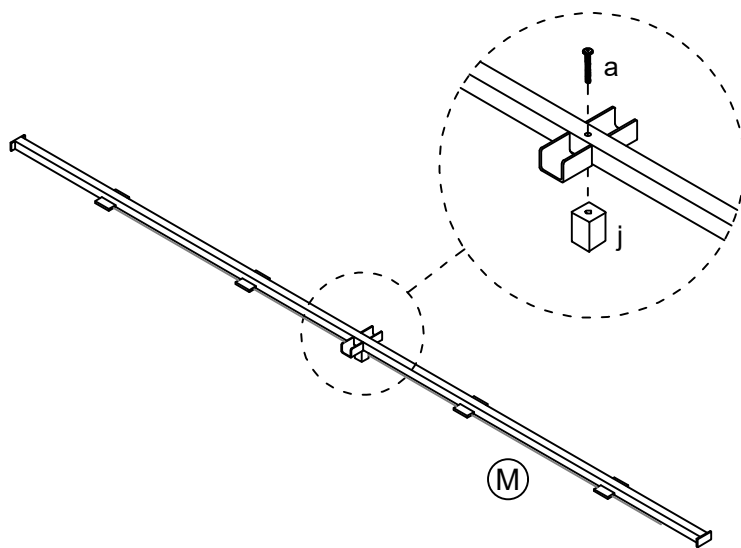
Orla Ottoman Bed

4.



a	 x16	b	 x18	c	 x18	e	 x2	g	 x4	d	 x1	l	 x1
---	---	---	---	---	---	---	--	---	--	---	--	---	--

5.

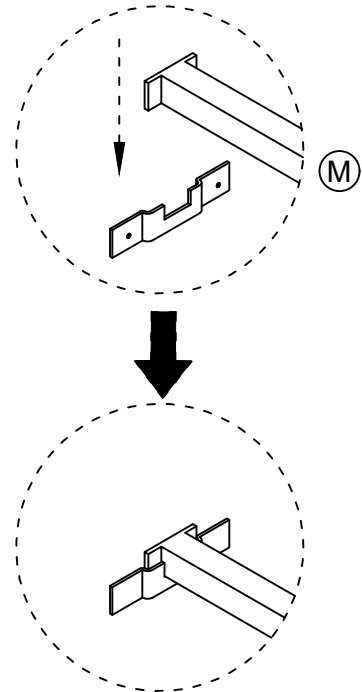
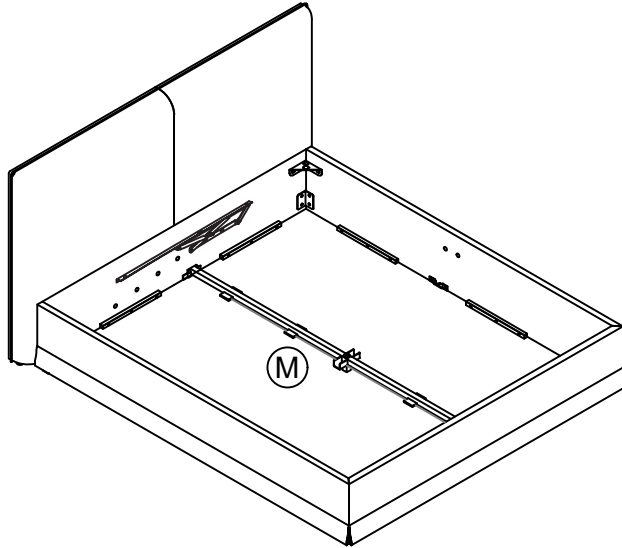


a	 x1	j	 x1	d	 x1
---	--	---	--	---	--

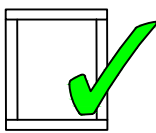
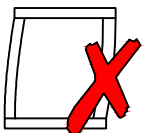
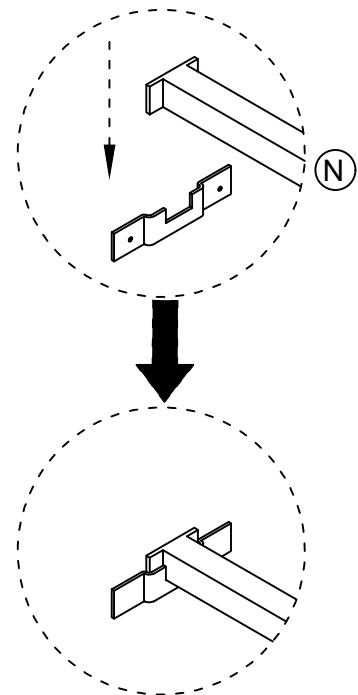
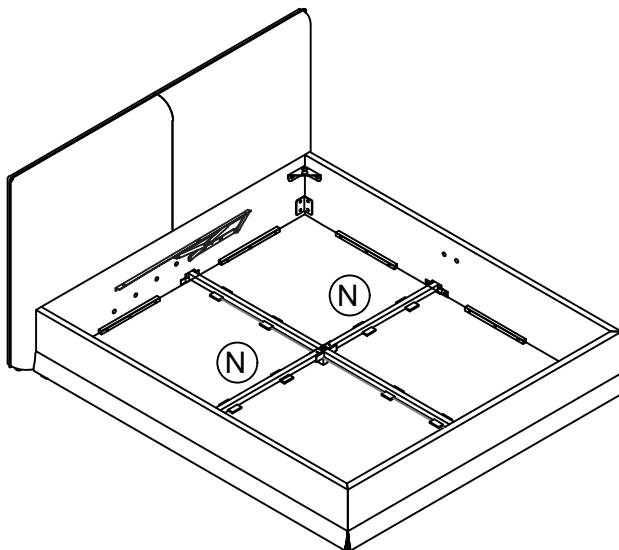
FEATHER & BLACK

Orla Ottoman Bed

6.



7.

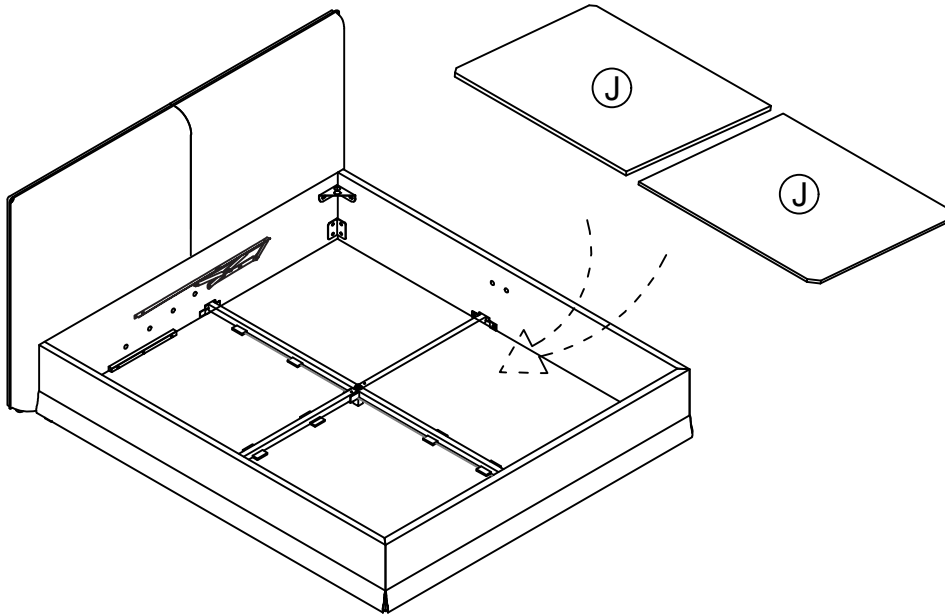


Make certain the bed is squared up as shown in the diagram then tighten all bed assembly bolts 100%.

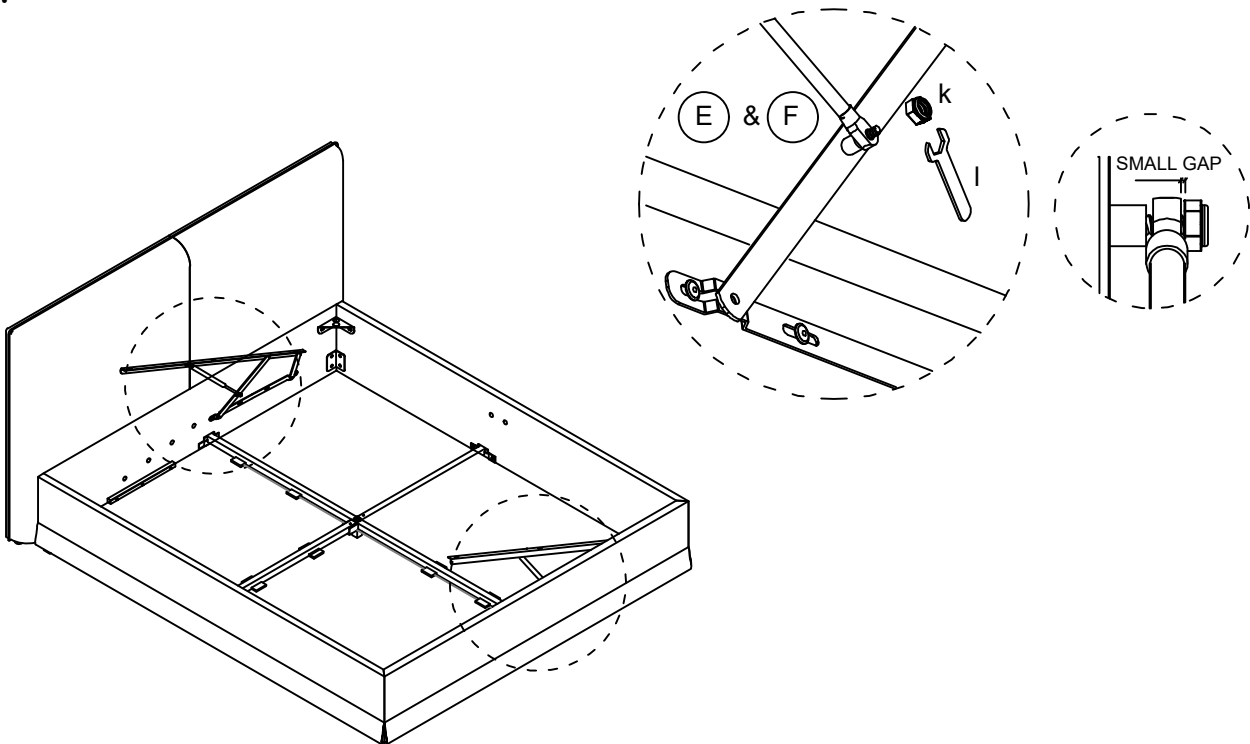
FEATHER & BLACK



Orla Ottoman Bed

8.



9.

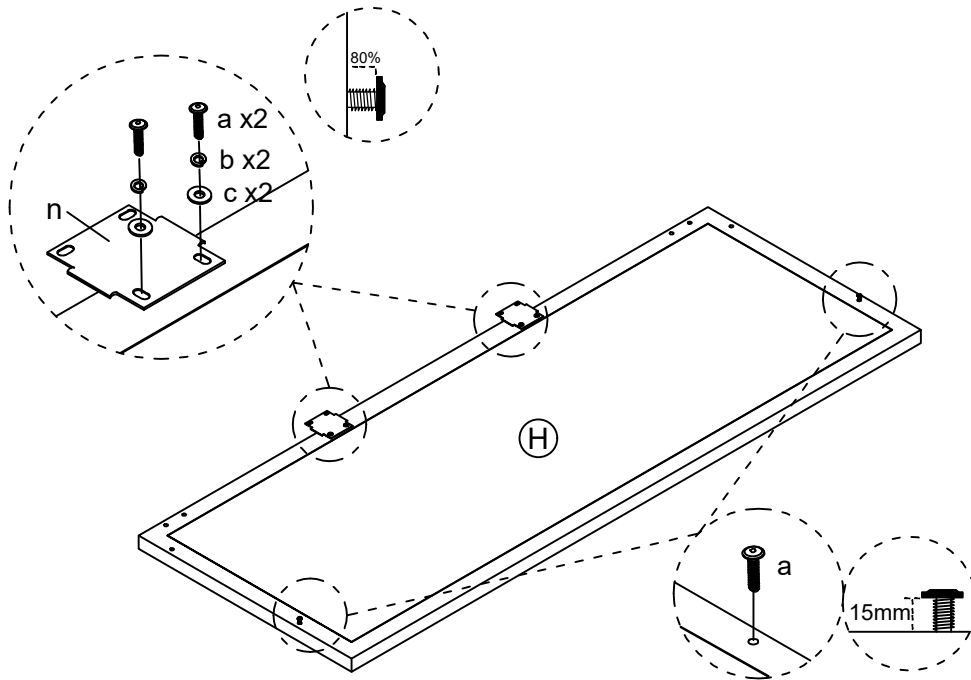


k  x2 | l  x1

FEATHER & BLACK

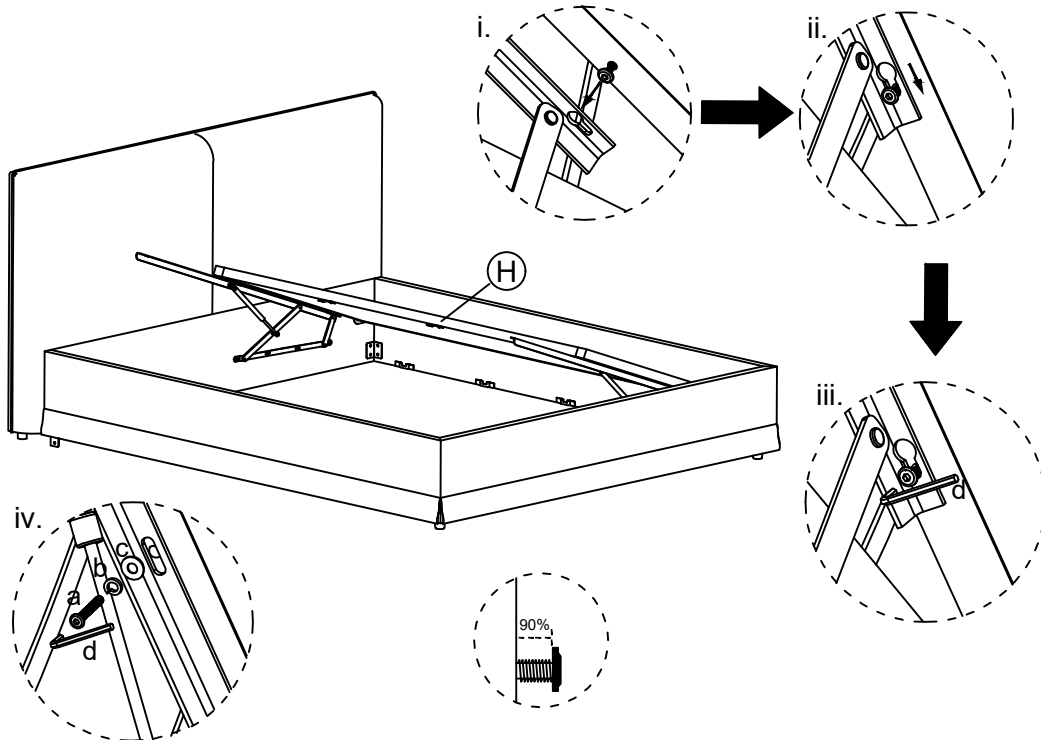
Orla Ottoman Bed





10



a  x6 b  x4 c  x4 n  x2 d  x1

11. Fit the mattress base board (H) at the bottom of the support arms.

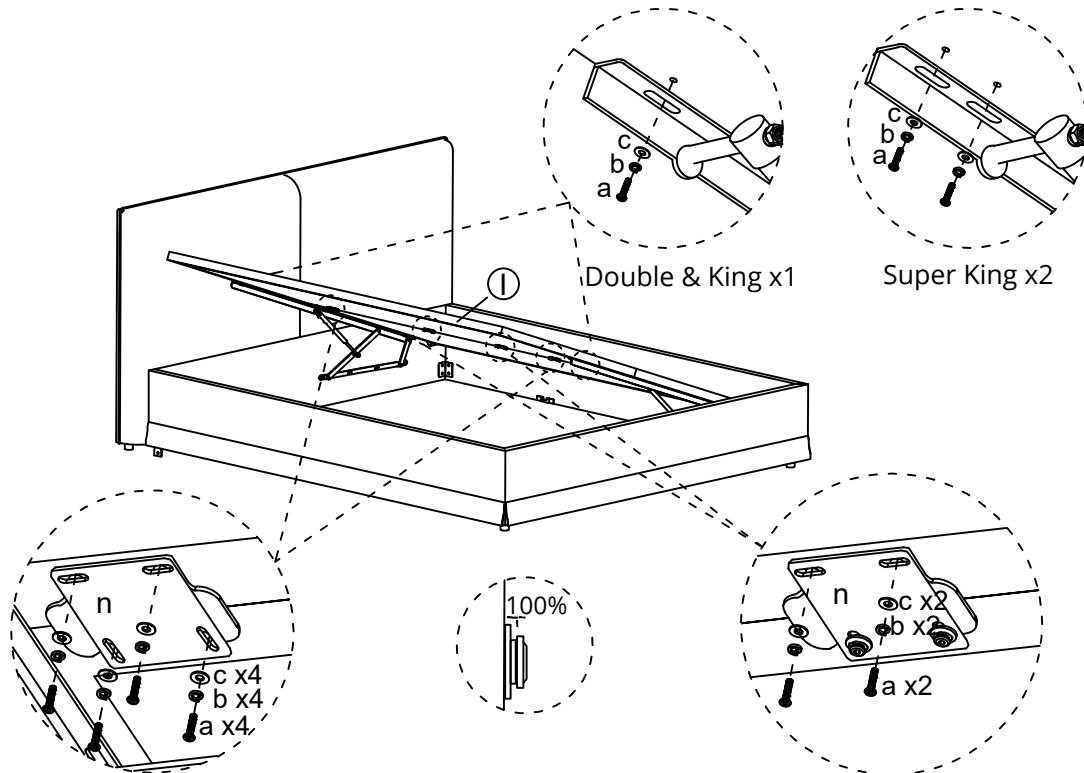




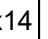



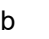
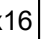


a  x2 b  x2 c  x2 d  x1

FEATHER & BLACK

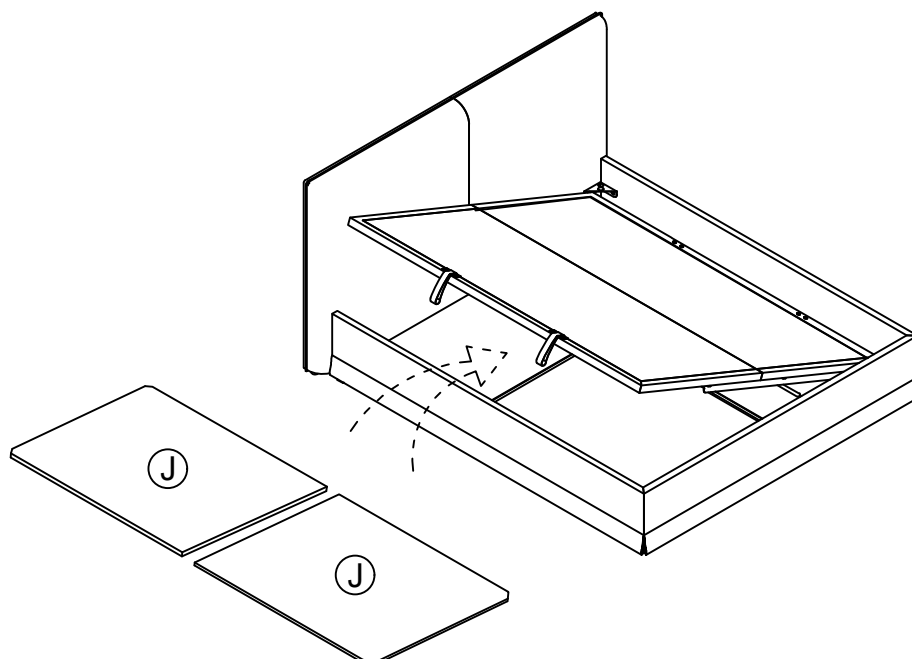
Orla Ottoman Bed

12. Fit the mattress base board (I) to the bottom of the support arms.



Double & King	a  x14	b  x14	c  x14	n  x2	d  x1
Super King	a  x16	b  x16	c  x16	n  x2	d  x1

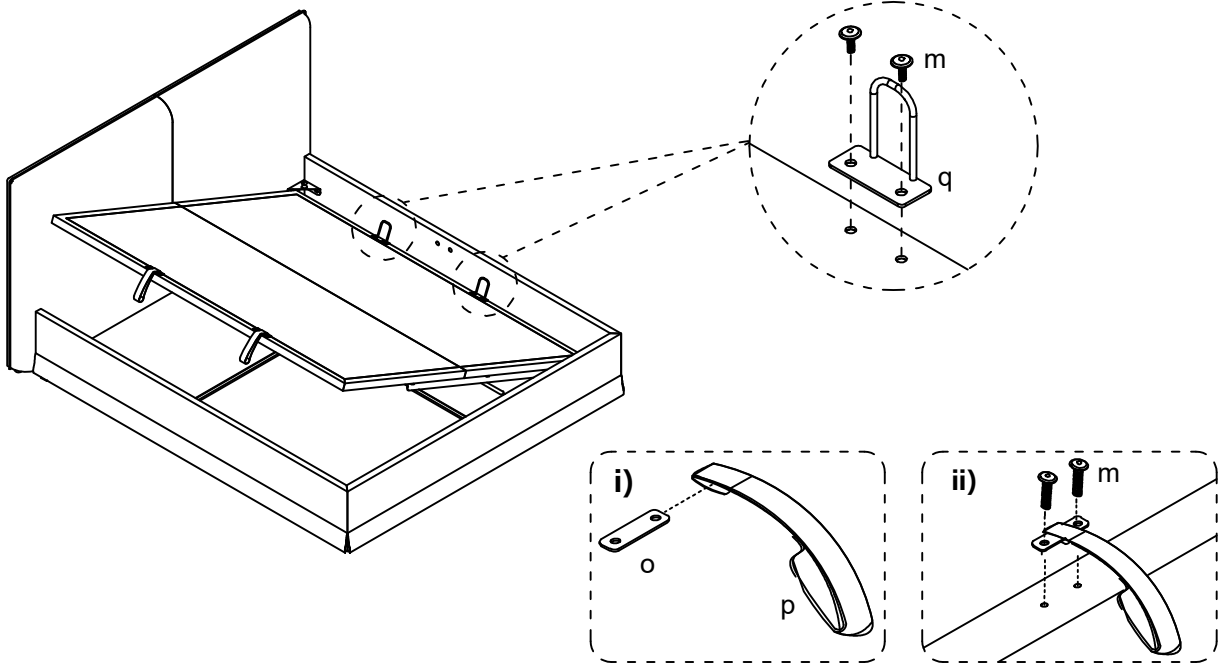
13.



FEATHER & BLACK

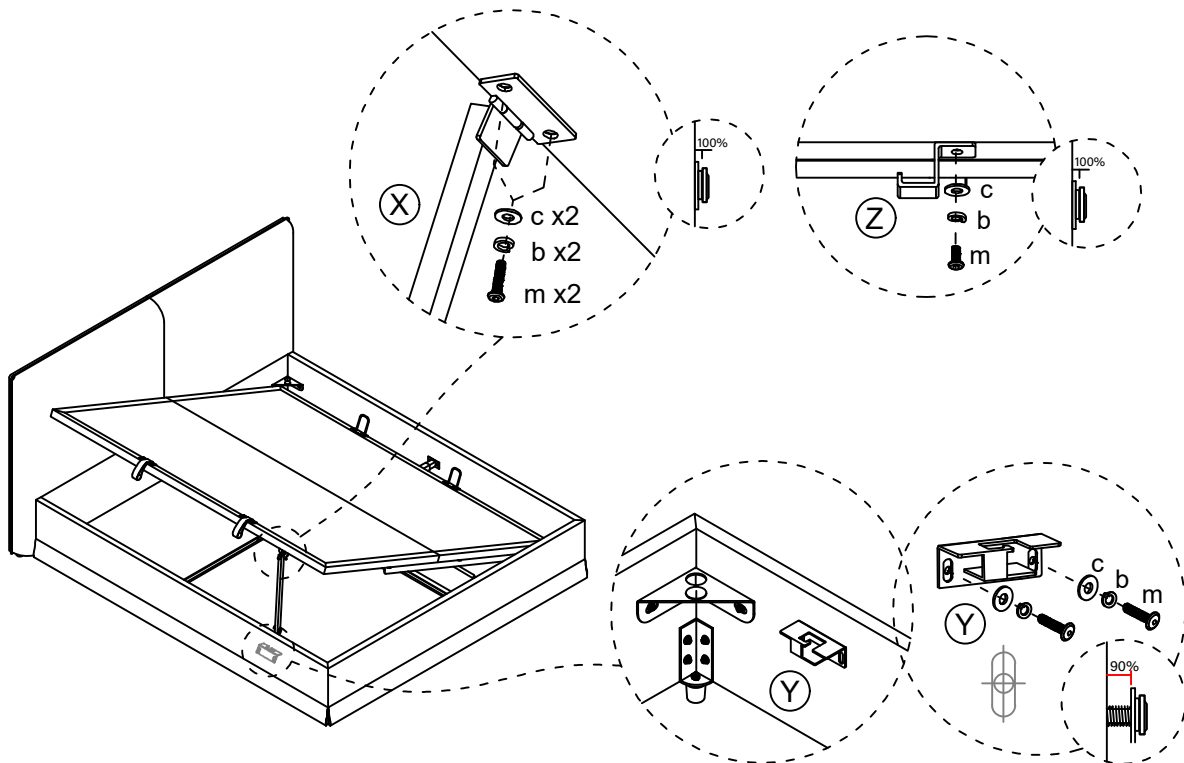
Orla Ottoman Bed





14.



m	 x8	o	 x2	p	 x2	q	 x2	d	 x1
---	--	---	--	---	--	---	--	---	--

15.

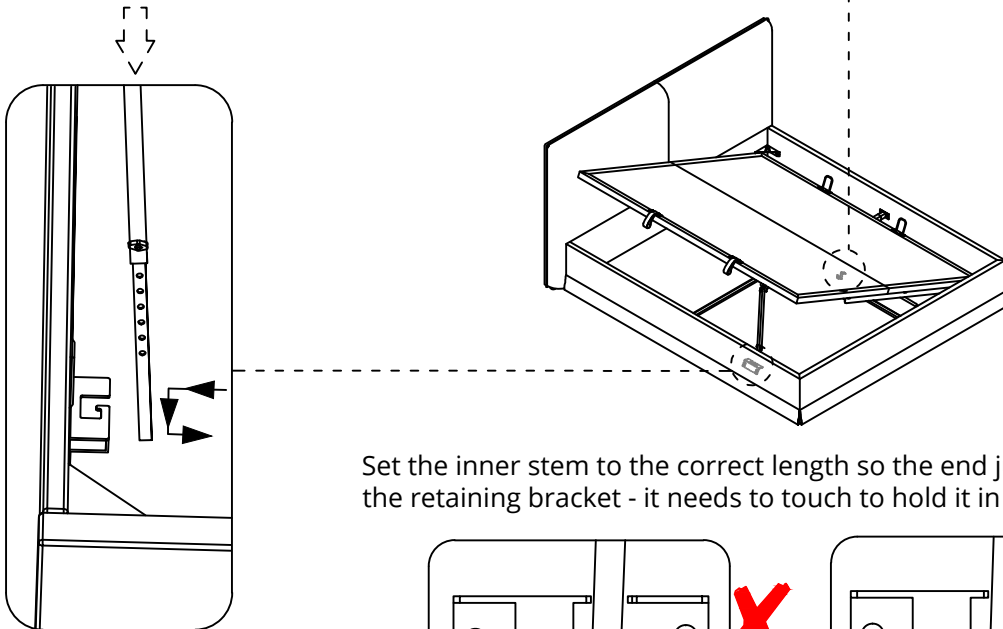
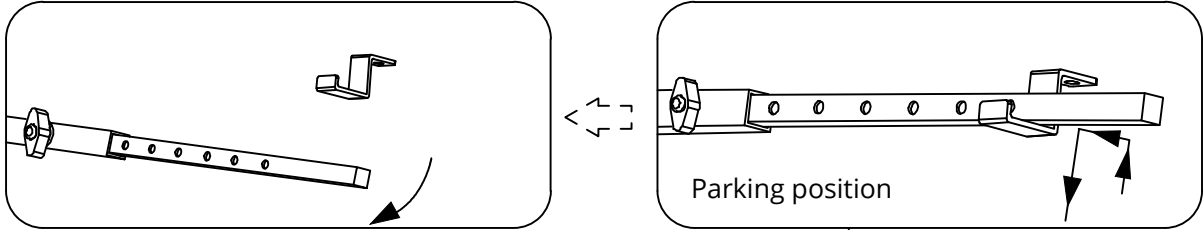


m	 x5	b	 x5	c	 x5	d	 x1
---	--	---	--	---	--	---	--

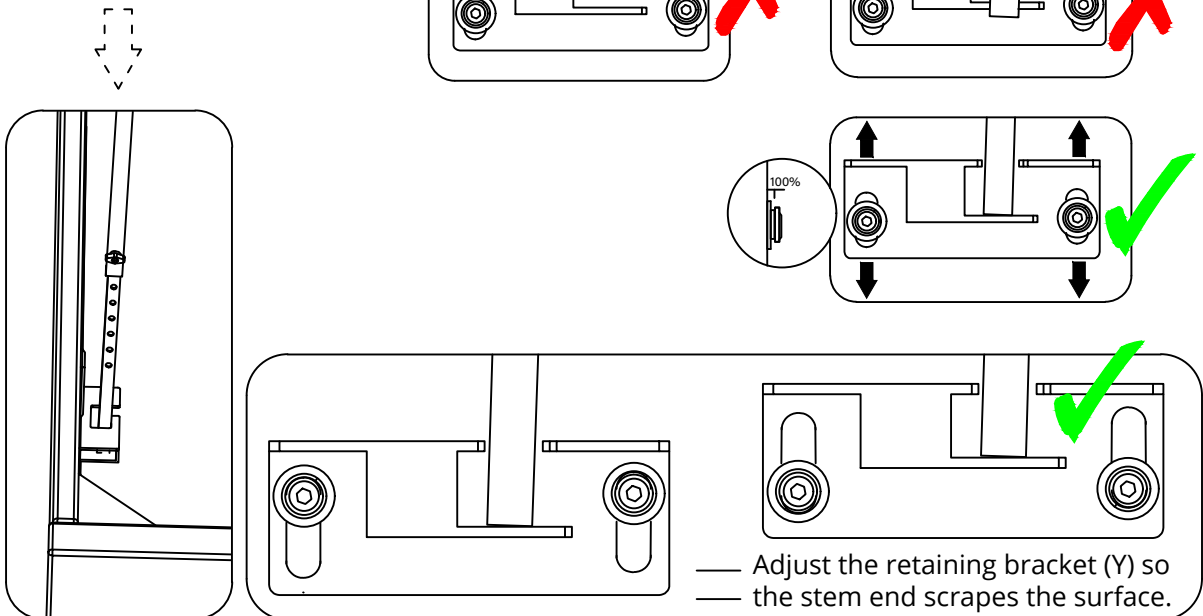
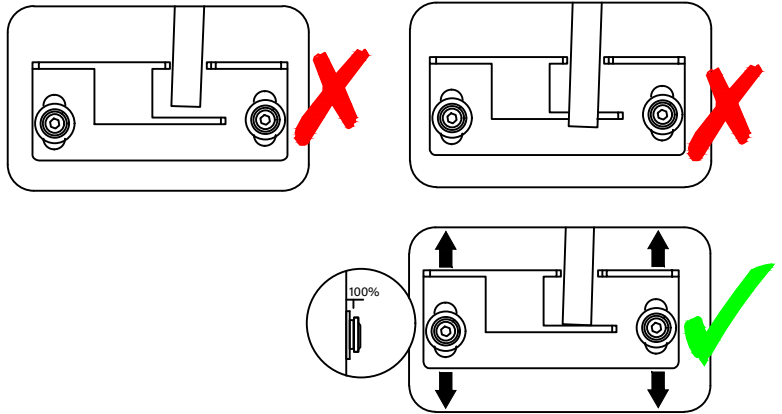
FEATHER & BLACK

Orla Ottoman Bed

16. Setting the inner stem of the support bar (X), adjust the inner stem to the correct length.



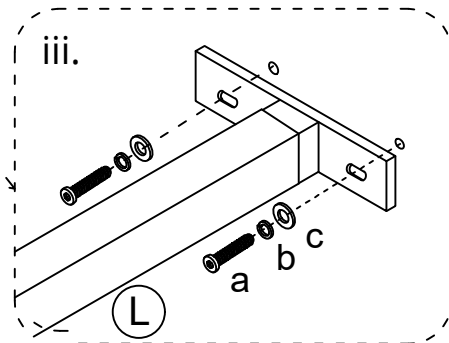
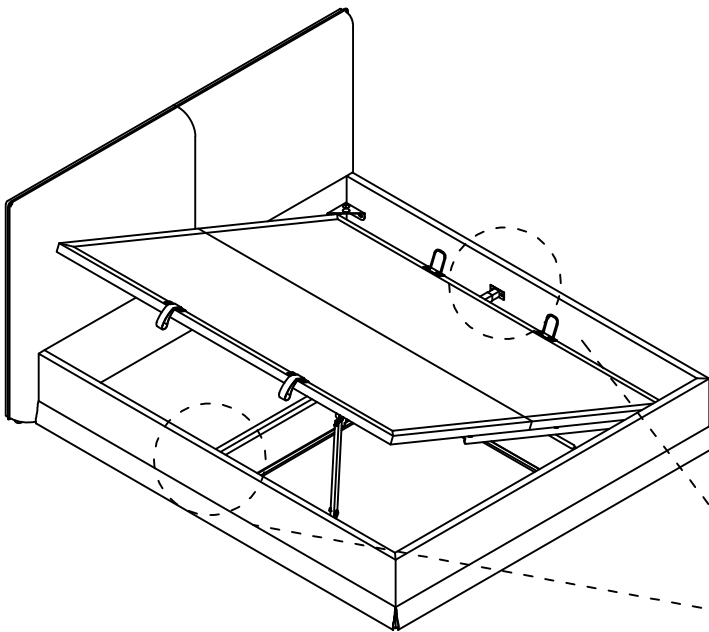
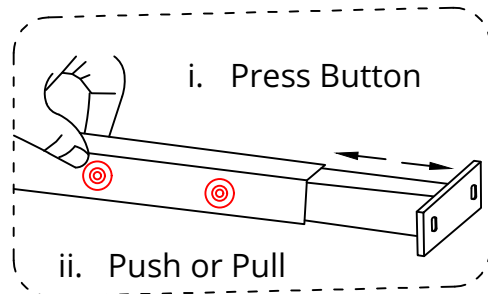
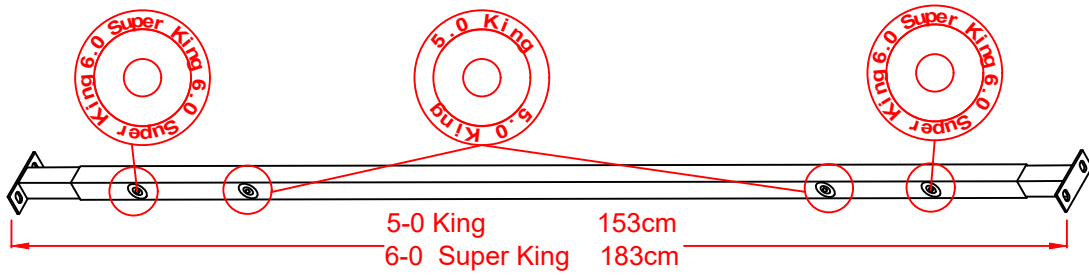
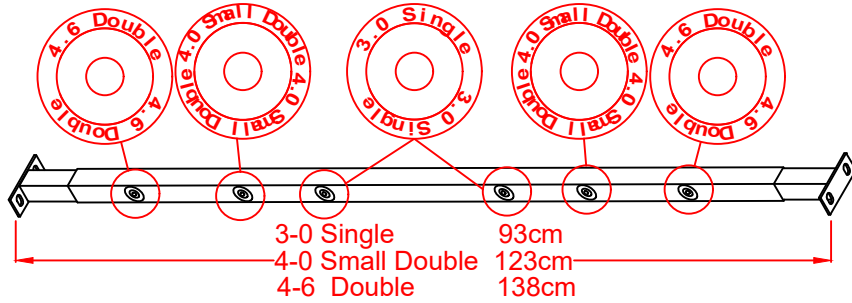
Set the inner stem to the correct length so the end just touches the retaining bracket - it needs to touch to hold it in position.







FEATHER & BLACK

Orla Ottoman Bed

17. If necessary, adjust the Side Rail Cross Bar (L) to length as shown.



- | | | | | | | | | | | | |
|---|---|----|---|---|----|---|---|----|---|---|----|
| a |  | x4 | b |  | x4 | c |  | x4 | d |  | x1 |
|---|---|----|---|---|----|---|---|----|---|---|----|

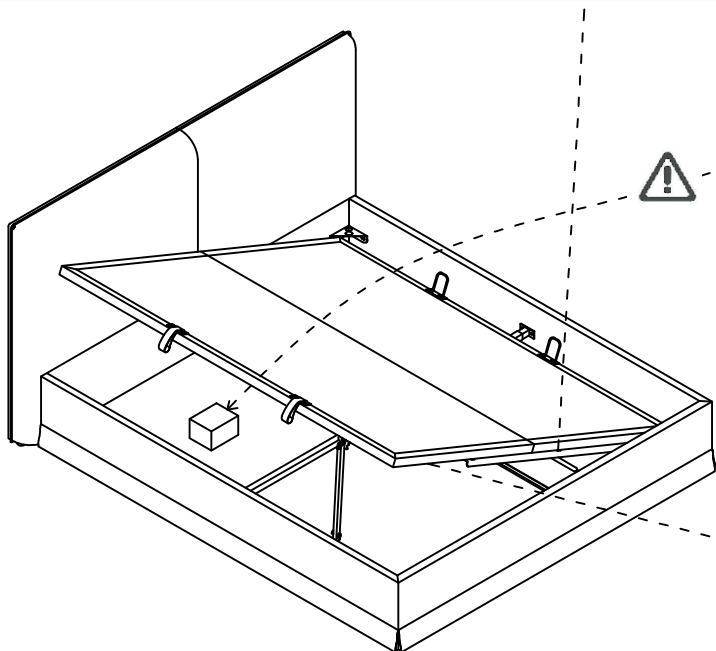
FEATHER & BLACK

Orla Ottoman Bed

18.

Warnings-Mattress Base Boards

⚠ WARNING! HAZARD - DO NOT REACH INTO THE SPACE BELOW!



Note: Be very careful what you store under the bed – the top of an item, like a suitcase or a box must not touch the underside of the mattress base or it may get damaged.
Maximum item height is 21 cm.

⚠ WARNING TO AVOID ACCIDENTS
To access the storage area, the ottoman frame **MUST BE FULLY OPENED** and then **FULLY CLOSED** afterwards.

Ensure the combine bedding and mattress weight is within the recommended weight guidance.

Adult Operation Only: Not recommended for use by children under the age of 12 years old. Please note ease of operation is dependent on height and strength of user.

Avoid Entrapment: Always lift the bed with the mattress in place, using the handle(s) to lift and lower the base, keeping clear of the mechanism.

Fully Open Ottoman: Ensure the ottoman is fully open before accessing the storage area.

Avoid Hinge Area: Do not reach into the storage area through the hinge mechanism.

Keep Children and Pets Away: Ensure children and pets stay away from the storage area. Do not stand inside the internal storage area of the bed.

Maintenance - Regularly inspect your bed to ensure it is functioning correctly.

Recommended weight guidance for safe operation:		
Bed Size	Min (kg)	Max (kg)
Double	20	70
King	20	70
Super King	20	85

Technical Specifications

Overall Dimensions (LWH mm)

Double: 2130 x 1530 x 1300

King: 2230 x 1680 x 1300

Super King: 2230 x 1980 x 1300

Storage Dimensions (LWH mm)

Double: 1930 x 1370 x 210

King: 2030 x 1520 x 210

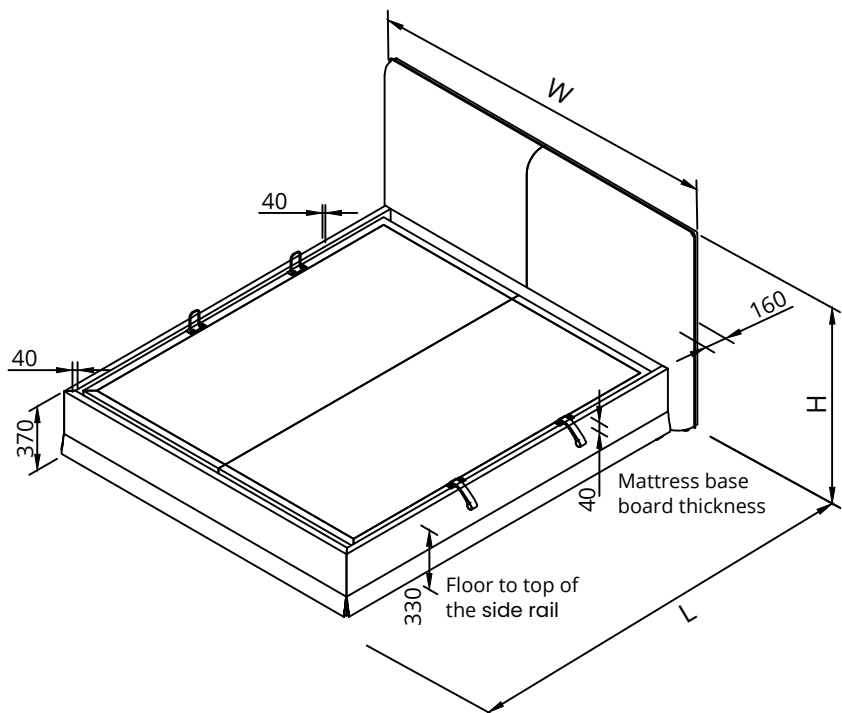
Super King: 2030 x 1820 x 210

Ottoman Piston Rating

Double: 1200N

King: 1200N

Super King: 1400N



FEATHER & BLACK

www.featherandblack.com