

feather&black



Orla Assembly Guide



## Orla Ottoman Bed

Welcome to the Feather & Black community.

Since 2004, we've been passionately helping our customers create beautiful bedrooms with an exceptional level of quality and expertise. We know your home is a truly special place, so it's a responsibility we don't take lightly.

That's why all of our furniture is handcrafted using only the finest materials. Considering every fine detail, every twist, turn and corner, we create pieces that truly reflect your style.

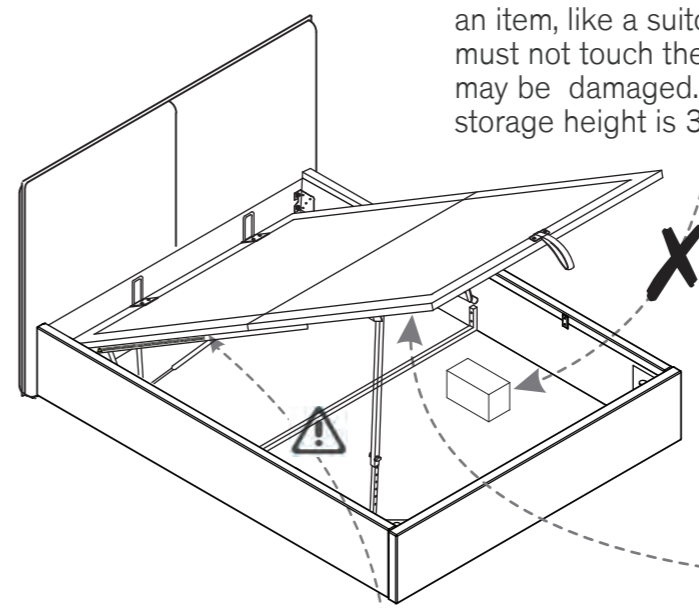
We hope you love this stunning new addition to your home. If we can be of any assistance, please don't hesitate to get in touch with us. You can call 01243 380600 (option 2), email [customerservices@featherandblack.com](mailto:customerservices@featherandblack.com) or chat with a member of our team live at [featherandblack.com](http://featherandblack.com).

We simply adore seeing our furniture come to life in its forever home, so don't forget to share your style with the world. We'd love for you to tag us on Instagram @featherandblack and include #featherandblack so we can bask in its beauty too!

From our home to yours, thank you for choosing thoughtfully crafted furniture that's made to be cherished.

Sincerely


*The Feather & Black Team*



Note: Be very careful what you store under the bed -the top of an item, like a suitcase or a box must not touch the slats or they may be damaged. Maximum storage height is 315mm .

**⚠ WARNING**  
TO AVOID ACCIDENTS  
To access the storage area, the ottoman frame MUST BE FULLY OPENED and then FULLY CLOSED afterwards.

**CAUTION**  
To be operated by ADULTS ONLY.  
Keep children and pets away from the storage area.  
Avoid trapping your fingers by using the handle to lift & lower the base.  
Only lift when the mattress is in place.  
Ensure the ottoman support bar is secure when the base is open.  
Regularly air internal storage area and contents.



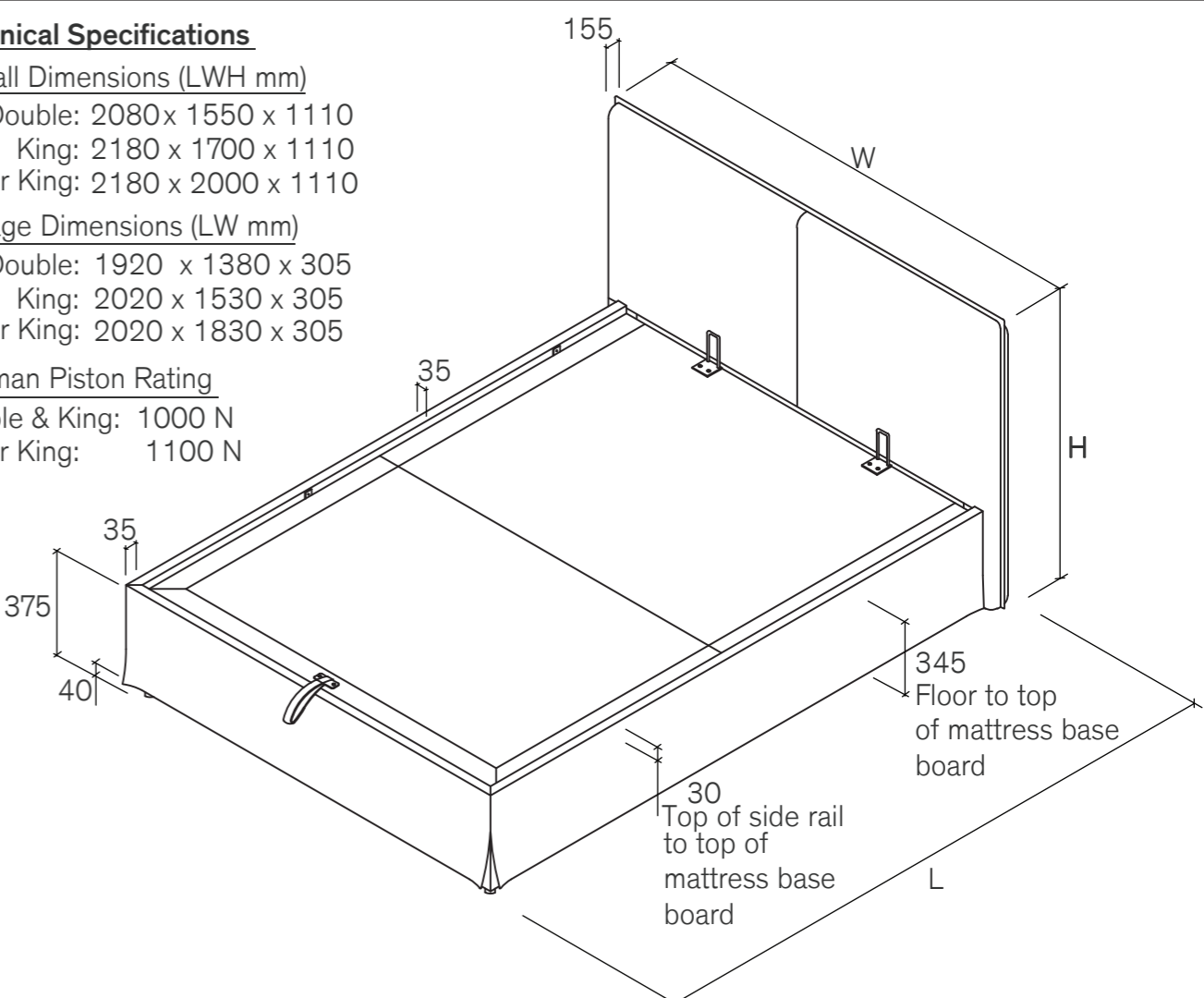
**⚠ WARNING! HAZARD - DO NOT REACH INTO THE SPACE BELOW!**

**Technical Specifications**

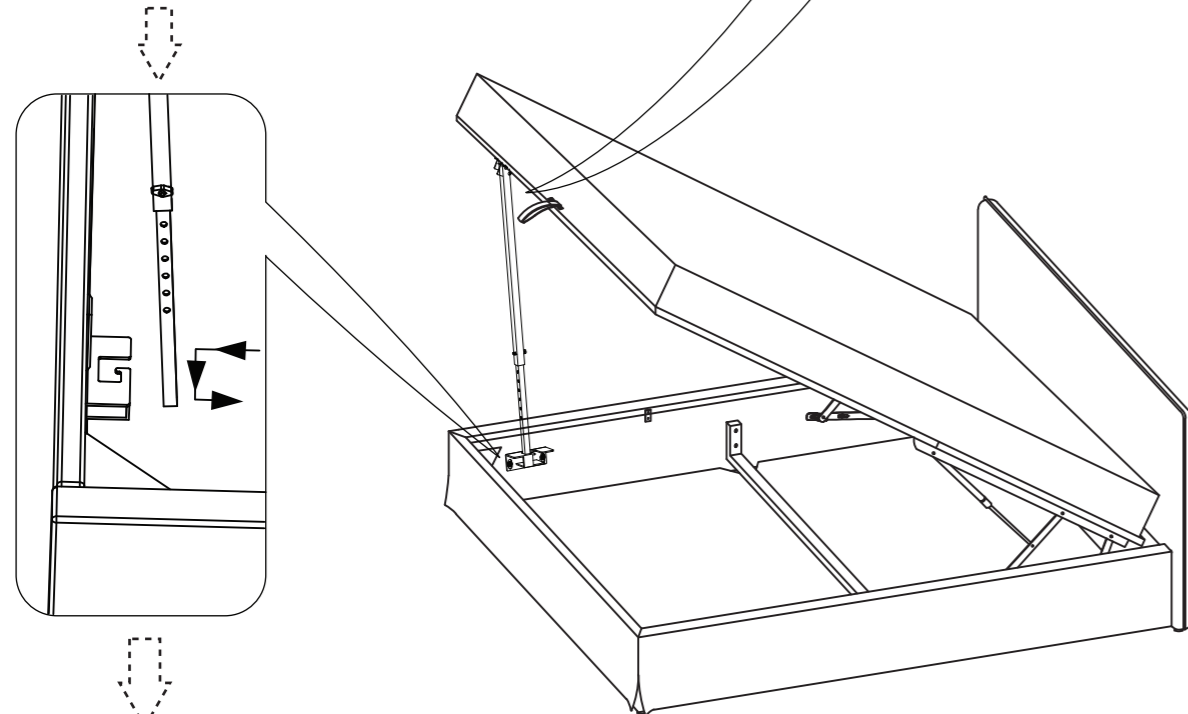
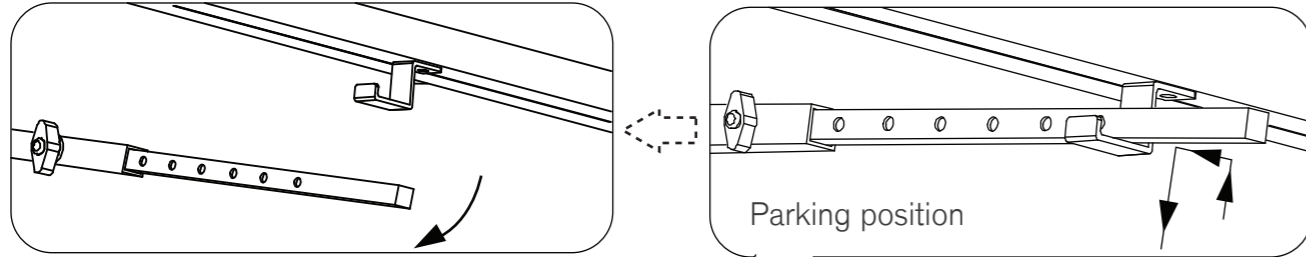
Overall Dimensions (LWH mm)  
 Double: 2080x 1550 x 1110  
 King: 2180 x 1700 x 1110  
 Super King: 2180 x 2000 x 1110

Storage Dimensions (LW mm)  
 Double: 1920 x 1380 x 305  
 King: 2020 x 1530 x 305  
 Super King: 2020 x 1830 x 305

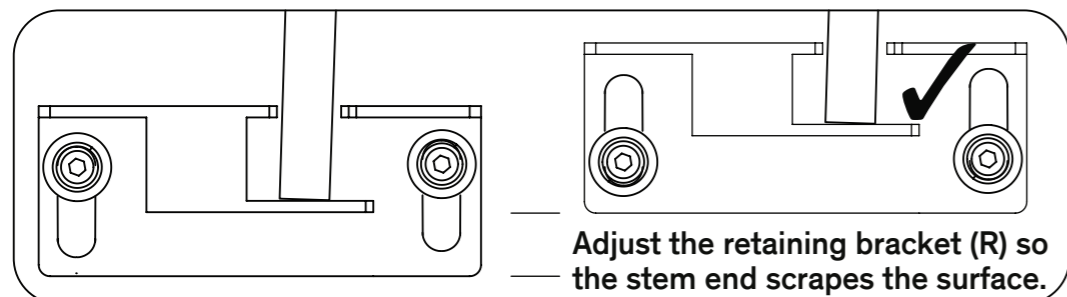
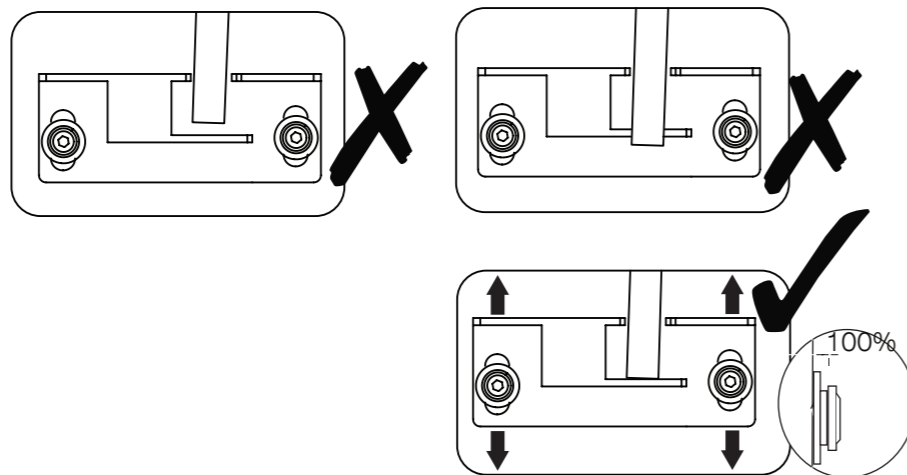
Ottoman Piston Rating  
 Double & King: 1000 N  
 Super King: 1100 N



13. **Setting the inner stem of the support bar (Q), adjust the inner stem to the correct length.**



**Set the inner stem to the correct length so the end just touches the retaining bracket - it needs to touch to hold it in position.**



**Adjust the retaining bracket (R) so the stem end scrapes the surface.**

### Before you start

Thank you for purchasing the Orla Ottoman Bed

Please read these instructions fully prior to assembly to familiarise yourself with the various stages of construction. Carefully open all packs supplied and check the contents against the parts and fittings check list. Do not destroy any of the packaging until you are certain that you have all the necessary parts for the assembly.

This item is heavy once assembled. Please try to assemble the item as close as possible to the point of use. Take care when moving the item to avoid personal injury or damage to the product and always lift rather than drag.

There are small components used in the construction of this furniture as well as plastic packaging, these should be kept away from young children whilst assembling.

#### Product Safety

All assembly fastenings should always be tightened properly and care should be taken to ensure that no fittings are loose. Periodically check and ensure that all components are in their proper position, free from damage, and that all connectors are tight.

Please note depending on the lighting, positioning and surroundings of your room, the shade of the colour can sometimes appear slightly different. Over a period of time the colour might lighten or fade slightly due to light exposure.

#### Product Care

To clean, slightly moisten cloth with water and wipe surfaces. A damp cloth holds dust and prevents damage. Repeat with a dry, soft, lint-free cloth or, if fabric, remove dust using a low suction vacuum cleaner.

Do not use abrasives or cleaning products which may contain ammonia or solvents as they will damage the finish.

#### Number of people required to assemble

Two people to assemble the product and two people to lift in to position.



#### Time to assemble



1 hour approx assembly time

#### Necessary tools



Tape measure



Cross head screwdriver

#### Missing parts or faulty products

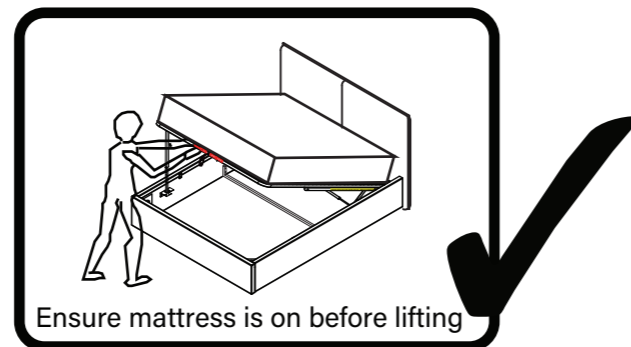
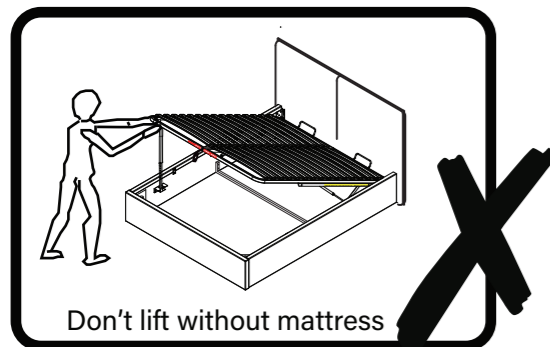
If you are missing any fixtures or fittings during assembly, or a part is unfortunately faulty please call our customer service team on 01243 380600

### IMPORTANT OTTOMAN SAFETY WARNINGS

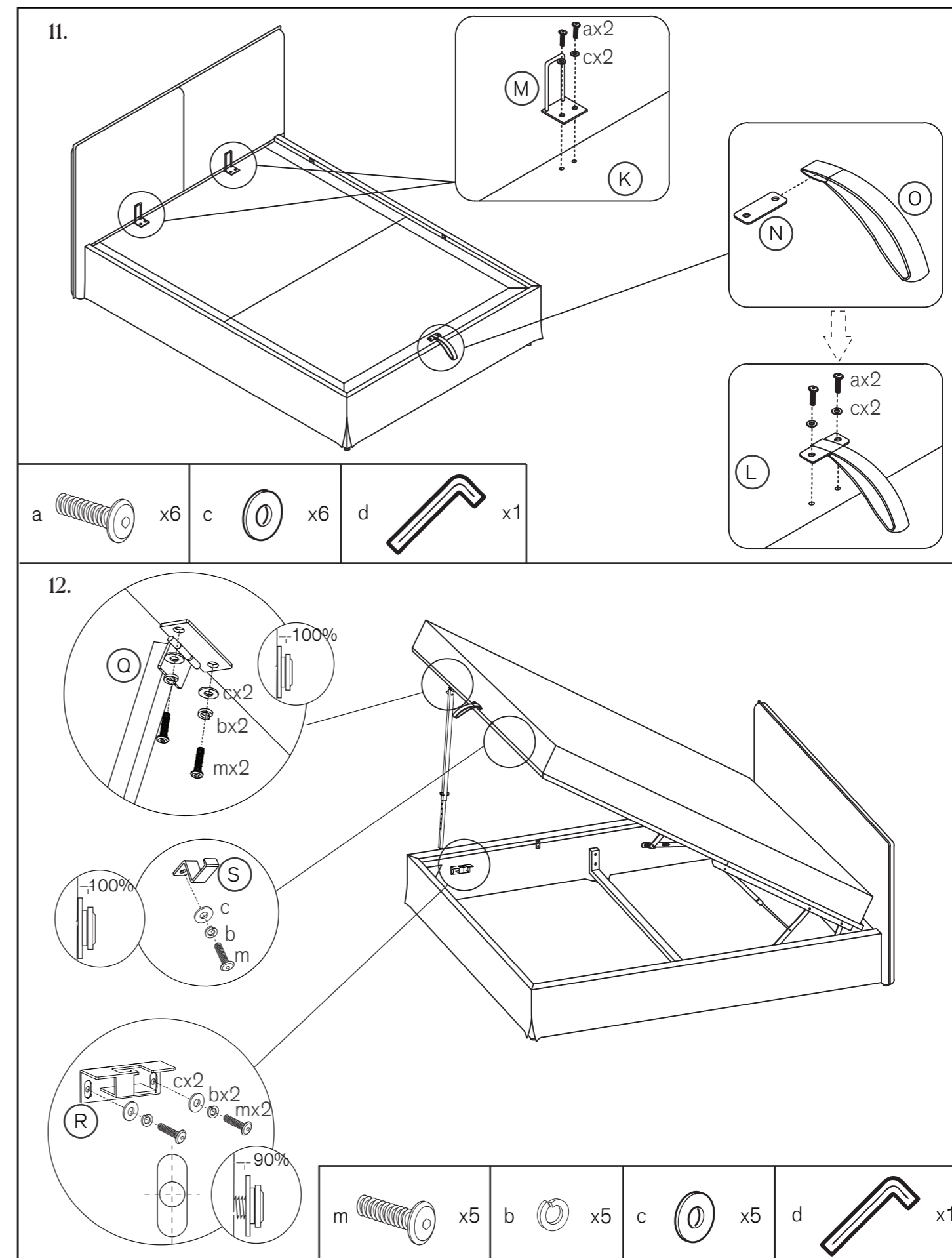
- **IMPORTANT – READ CAREFULLY – RETAIN FOR FUTURE REFERENCE**
- You must ensure that the mattress is on the bed frame before operating the lift mechanism – Failure to do so could result in injury.
- Keep hands clear of the mechanism when opening or closing the ottoman.
- Beware of entrapment – Never reach in through the mechanism to access the storage area.
- Always ensure that the ottoman is FULLY opened before accessing the storage area.
- Do not exceed the maximum weight as specified in the table below:

Bed	Bed Size	Min Weight (kg)	Max Weight (kg)
Orla Ottoman Bed	Double	10	40
	King	15	45
	Super King	20	50

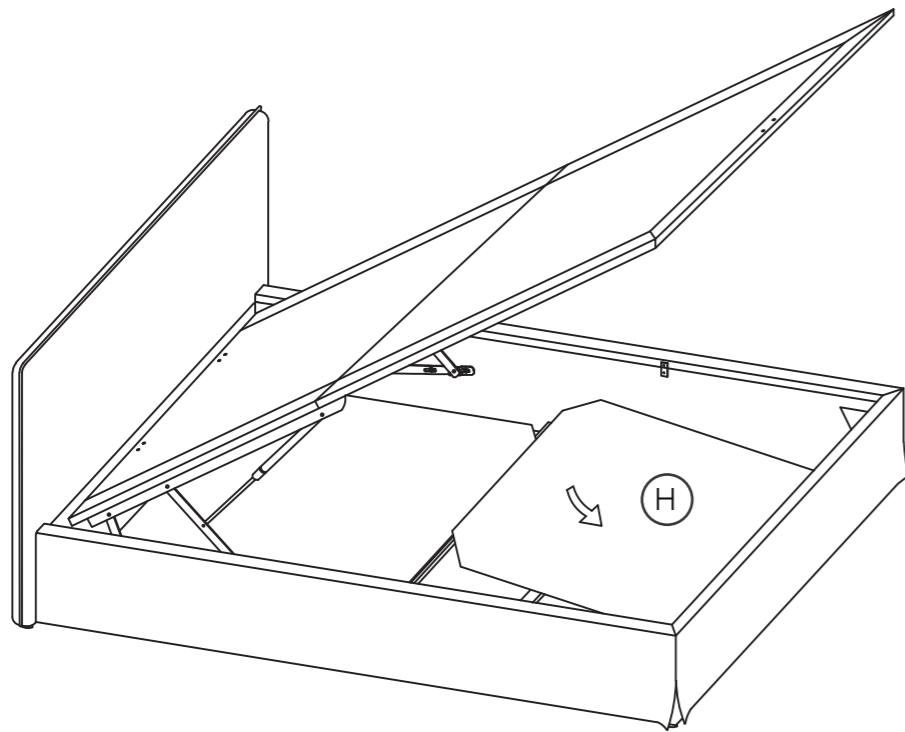
### IMPORTANT OTTOMAN SAFETY WARNINGS Cont.



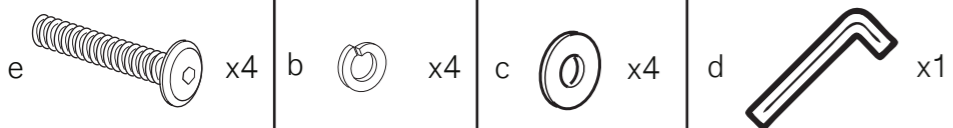
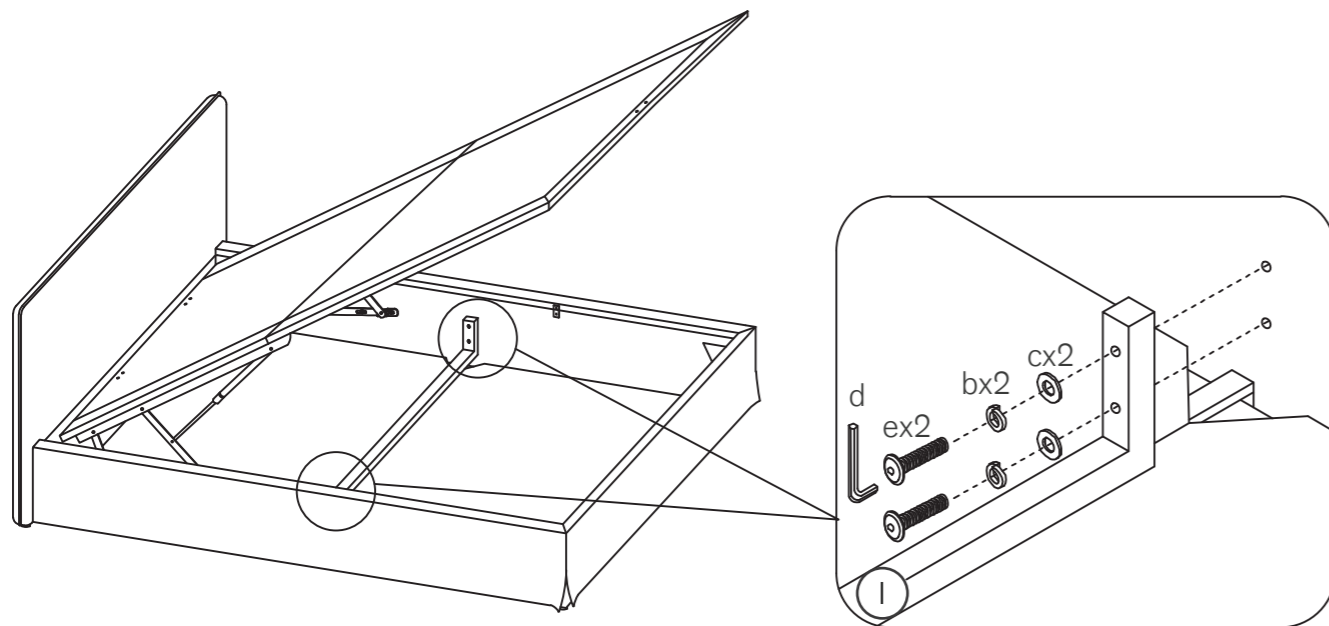
- Use caution when operating, always use the handle when lifting.
- **Note: This bed uses a pressurised mechanism.**
- To be operated by adults only.
- Please ensure that children and pets are kept away from the bed when operating the lift mechanism.
- Keep children and pets away from the storage area.
- Do not overload the internal storage base.
- Do not stand inside the internal storage area of the bed.
- Before removing the mattress secure the frame to ensure it does not open unexpectedly.
- Do not attempt to lie on the mattress when the ottoman is in the raised position.
- When lifting the ottoman, remove all bedding except the fitted sheet.



9.



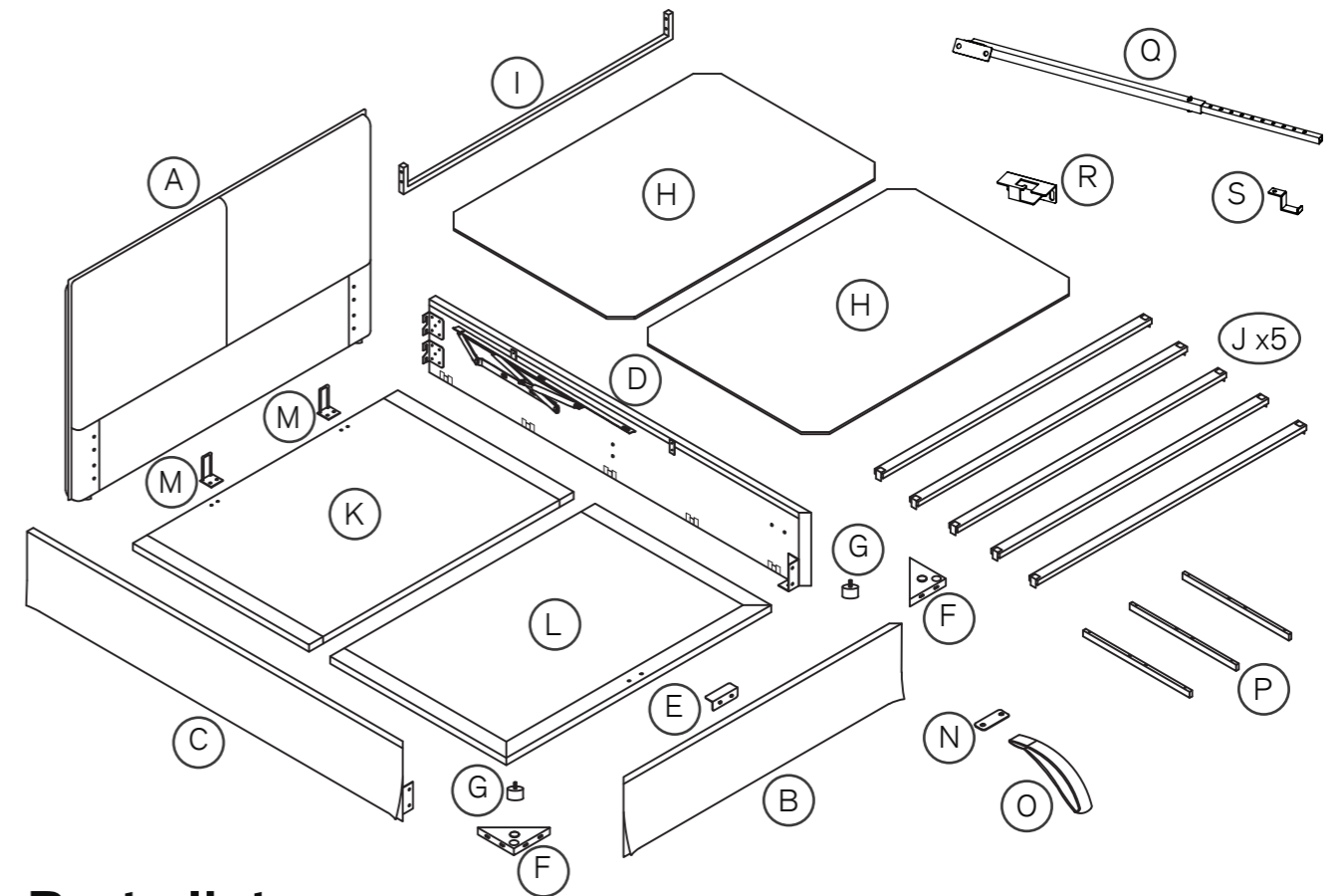
10.



### Parts

#### Important information

The bed you have purchased comes with a solid mattress base board, please follow the instructions below in the current order. Before you begin building your bed, please take a moment to read through the instructions and make sure that you've got all the relevant parts listed on the following pages.



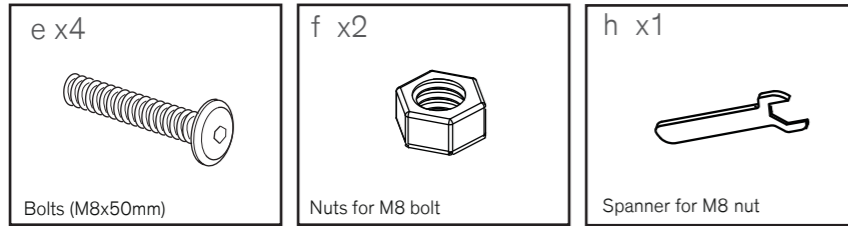
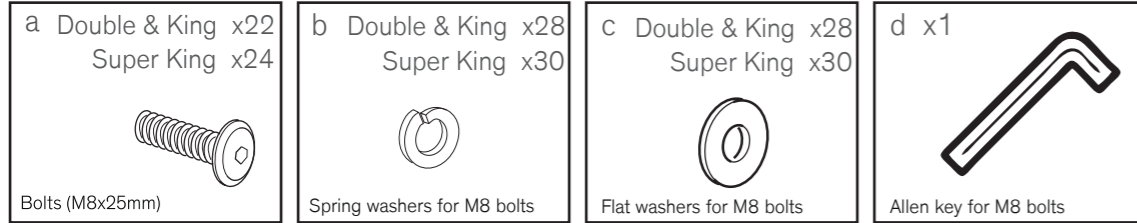
#### Parts list

A.	Headboard	1	K.	Mattress Base Board - Headend	1
B.	Footboard	1	L.	Mattress Base Board - Footend	1
C.	Side Rail - LH	1	M.	Mattress Stoppers	2
D.	Side Rail - RH	1	N.	Metal Plate for Fabric Hand Strap	1
E.	Support Brackets Double & King/Super King	1/2	O.	Storage Base Board Support Bar	1
F.	Angled Corner Brackets	2	P.	Mattress Base Board Support Bars Double & King/Super King	3/4
G.	Feet	2		Ottoman support bar PACK (O.S.B.)	
H.	Storage Base Boards	2	Q.	Ottoman support bar	1
I.	Cross Bar	1	R.	Fixed retaining bracket	1
J.	Fabric Hand Strap	2	S.	Parking bracket	1

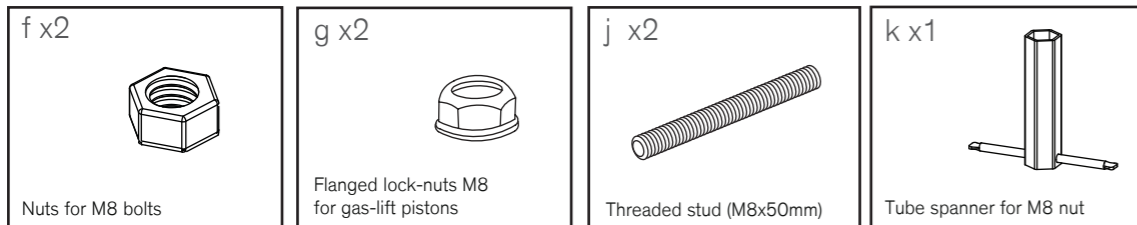
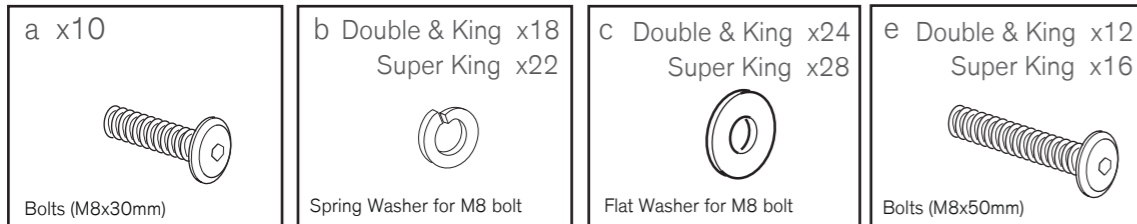
## Orla Ottoman Bed

### Fixture and fitting supplied (not actual size)

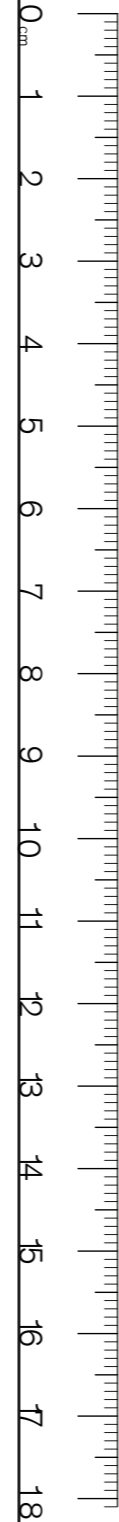
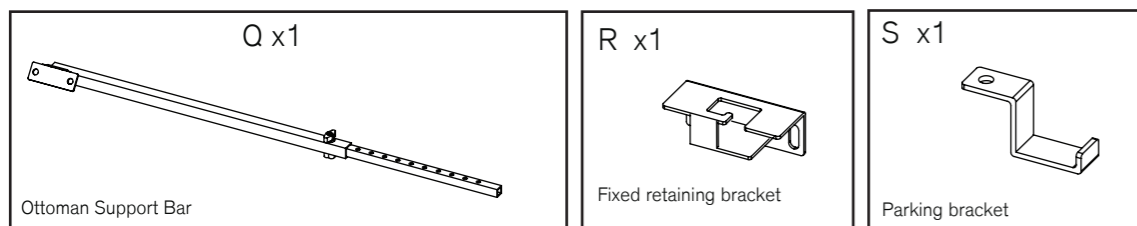
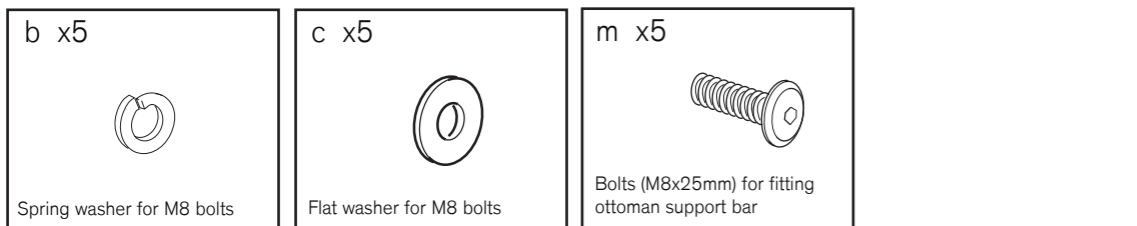
Hardware pack (A) needed for fixing side rails and legs (F) to headboard & footboard packed in side rail pack, 2 of 2



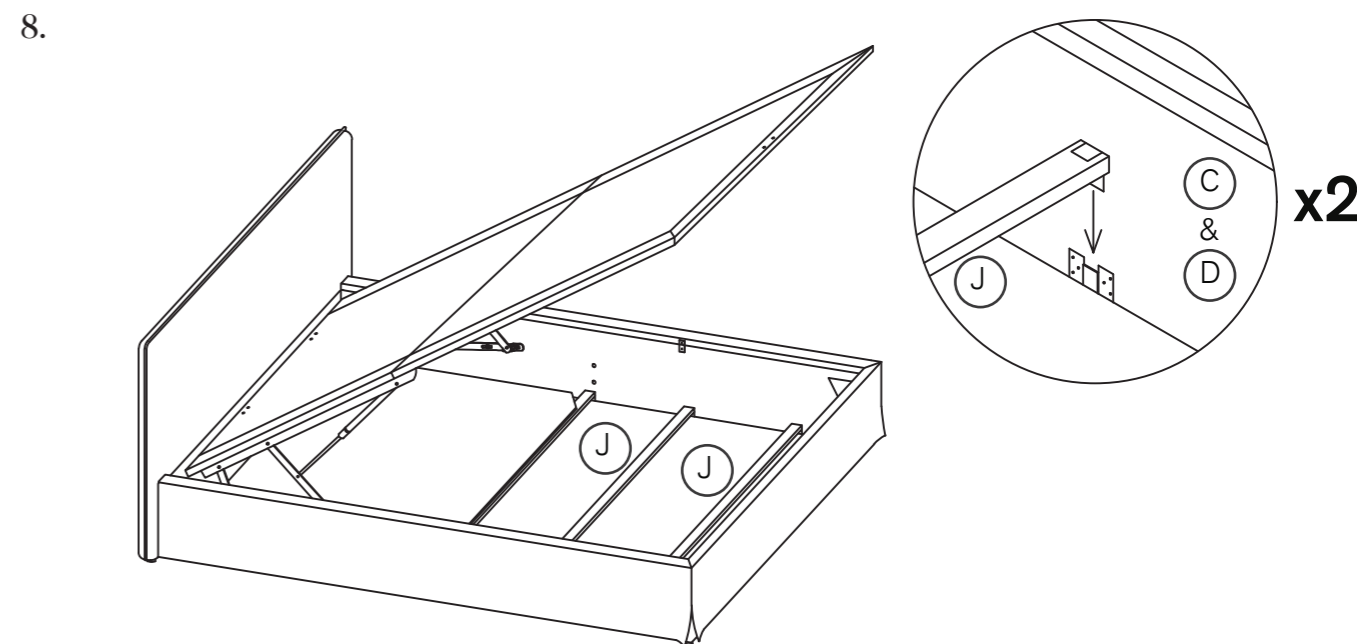
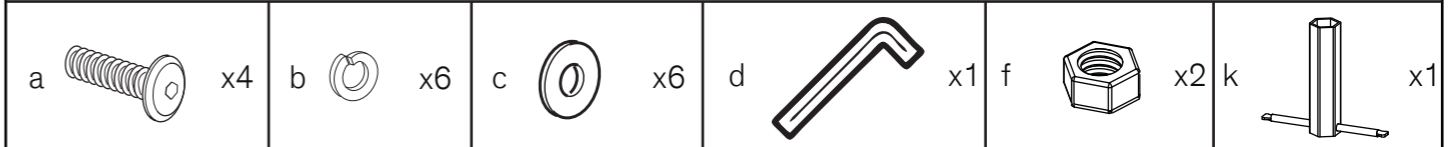
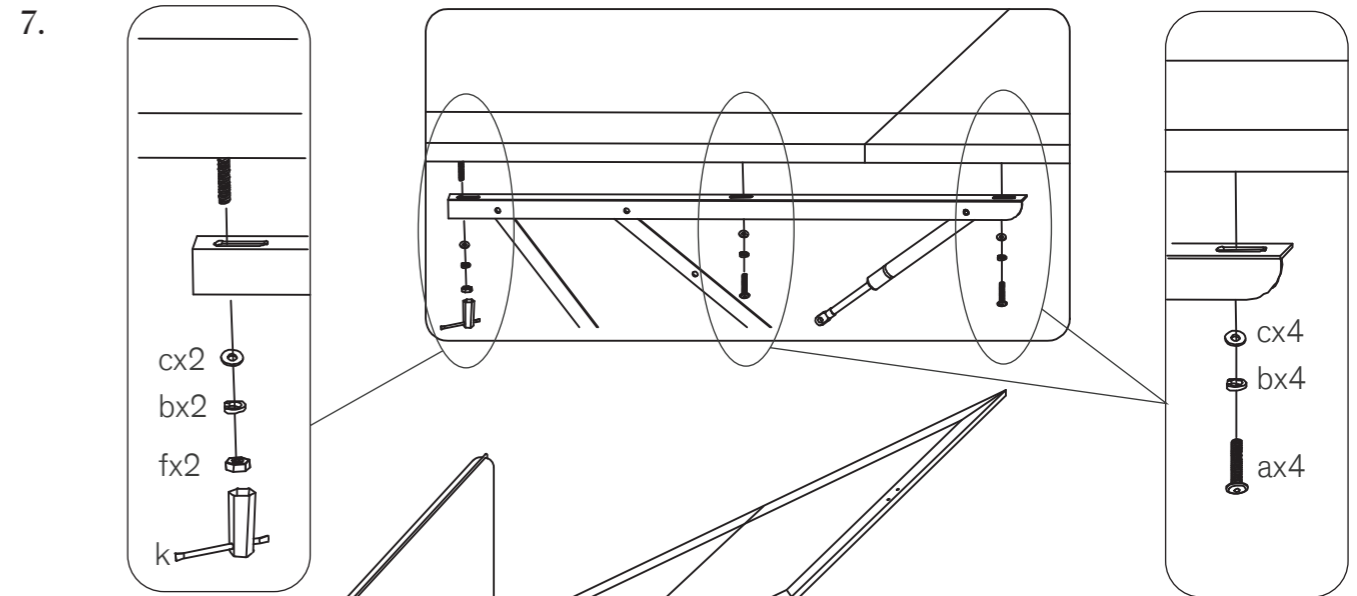
Hardware needed for fixing mattress base board  
Packed in mattress base board carton, inside Pack 4 - hardware pack (B)



Hardware needed for fixing ottoman support bar (O.S.B) to the mattress base board packed in the side rail carton, inside Pack 3 - hardware pack (C)

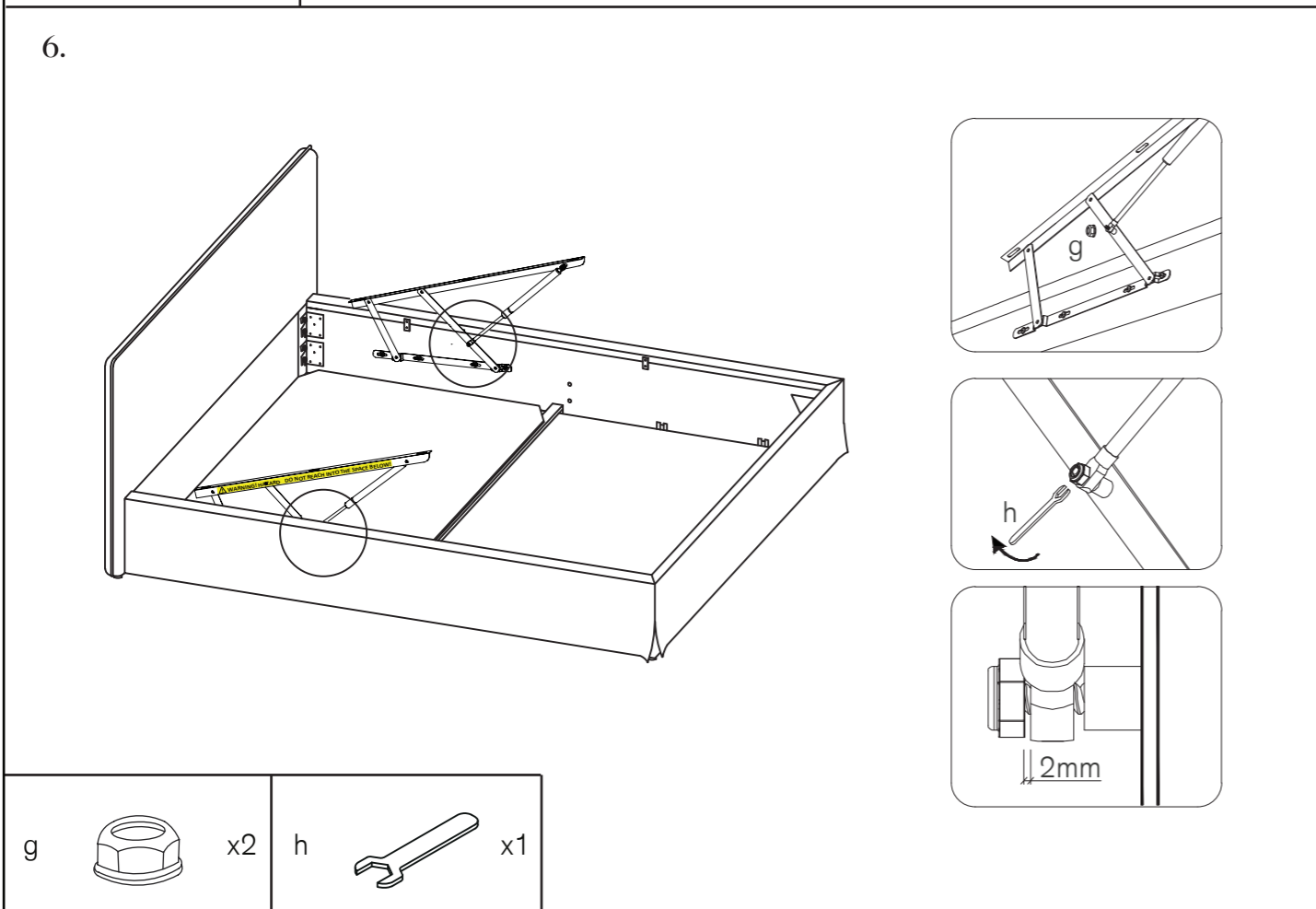
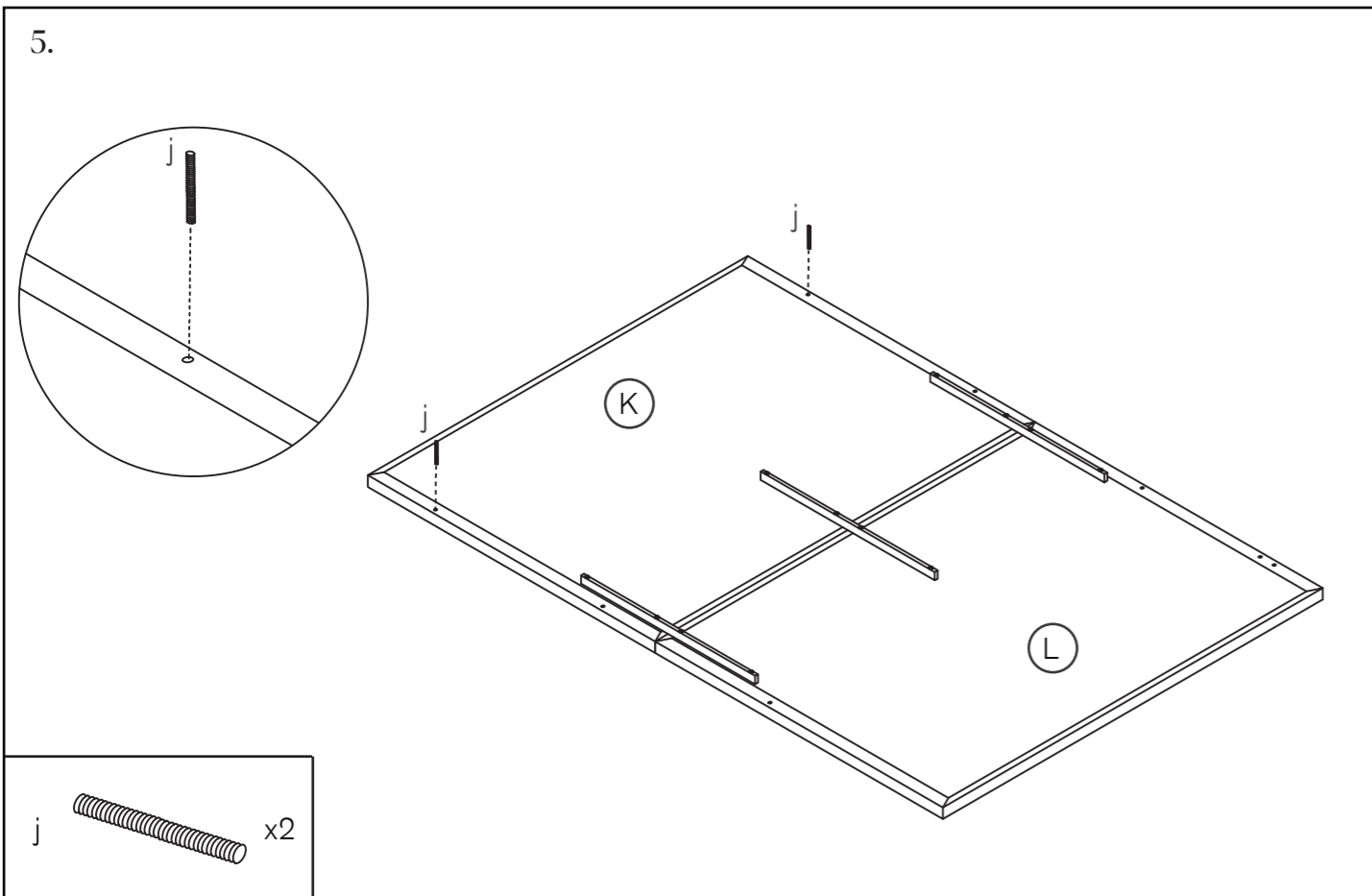


## Orla Ottoman Bed



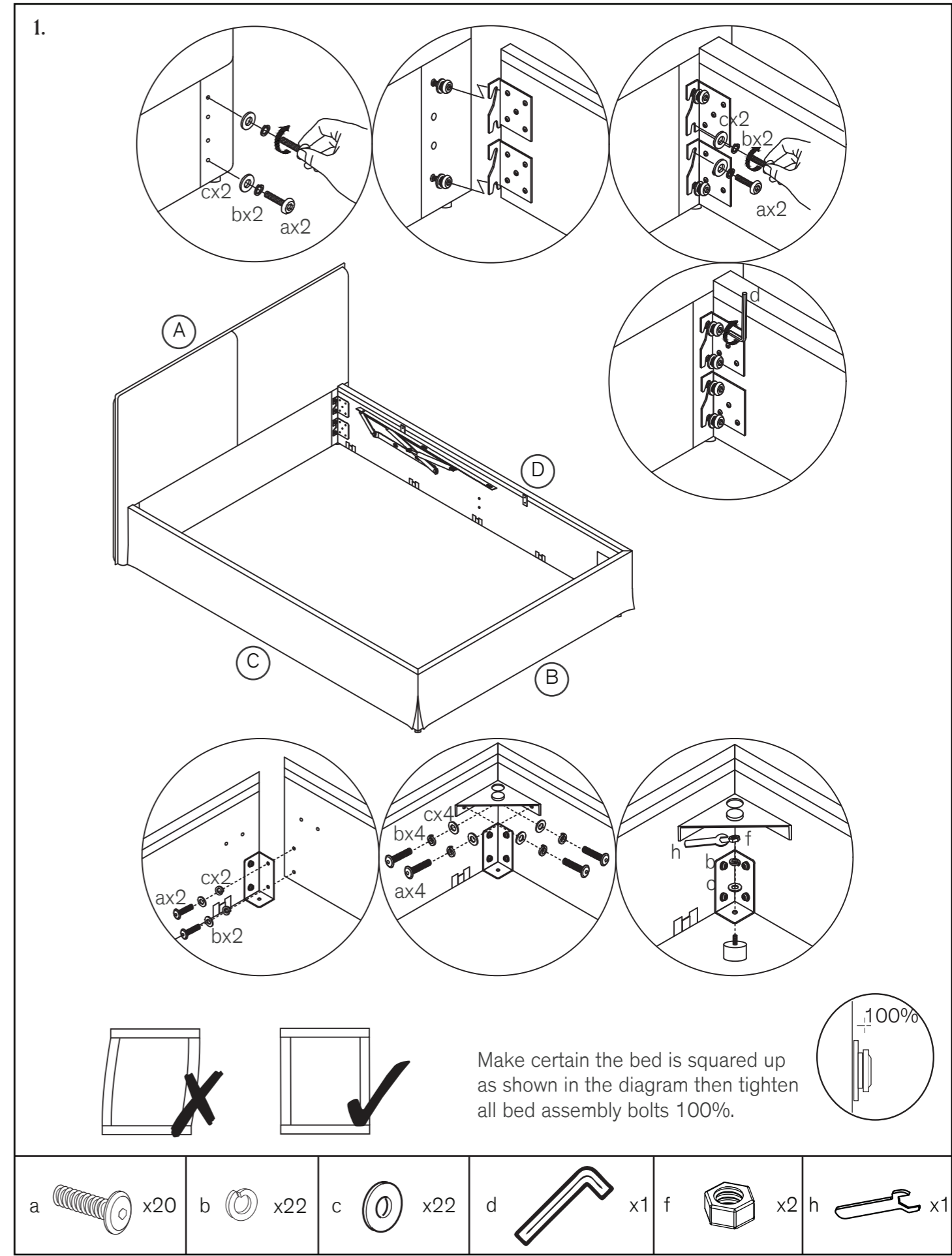
# feather&black

## Orla Ottoman Bed



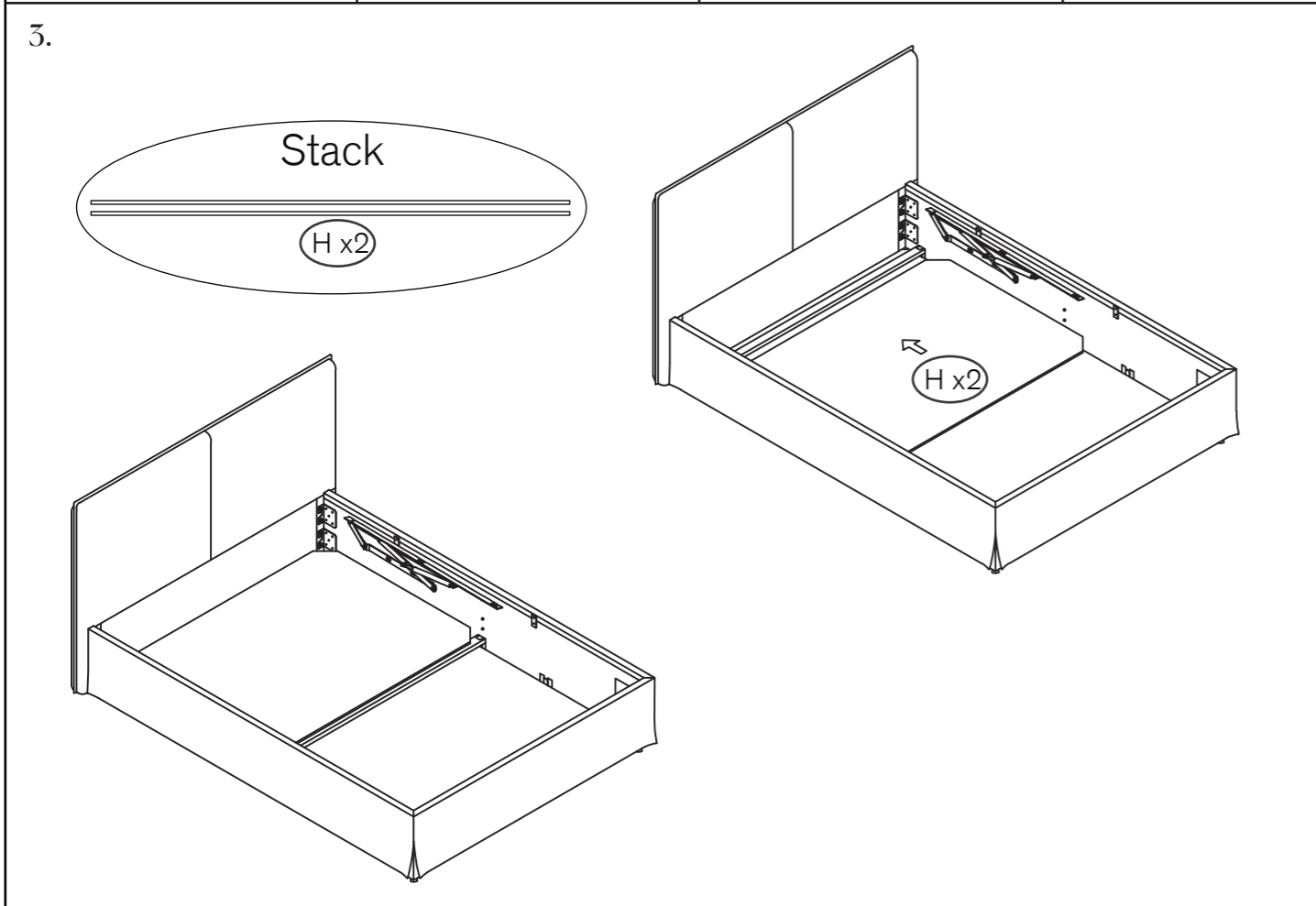
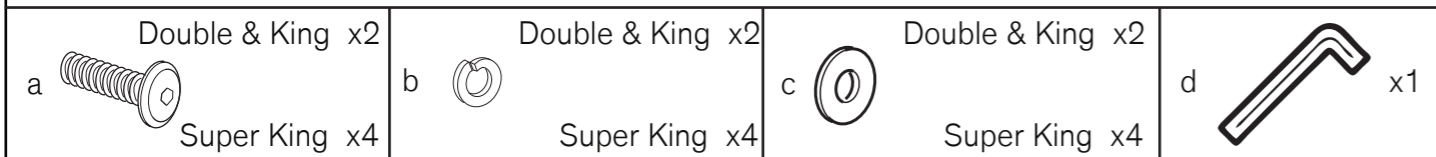
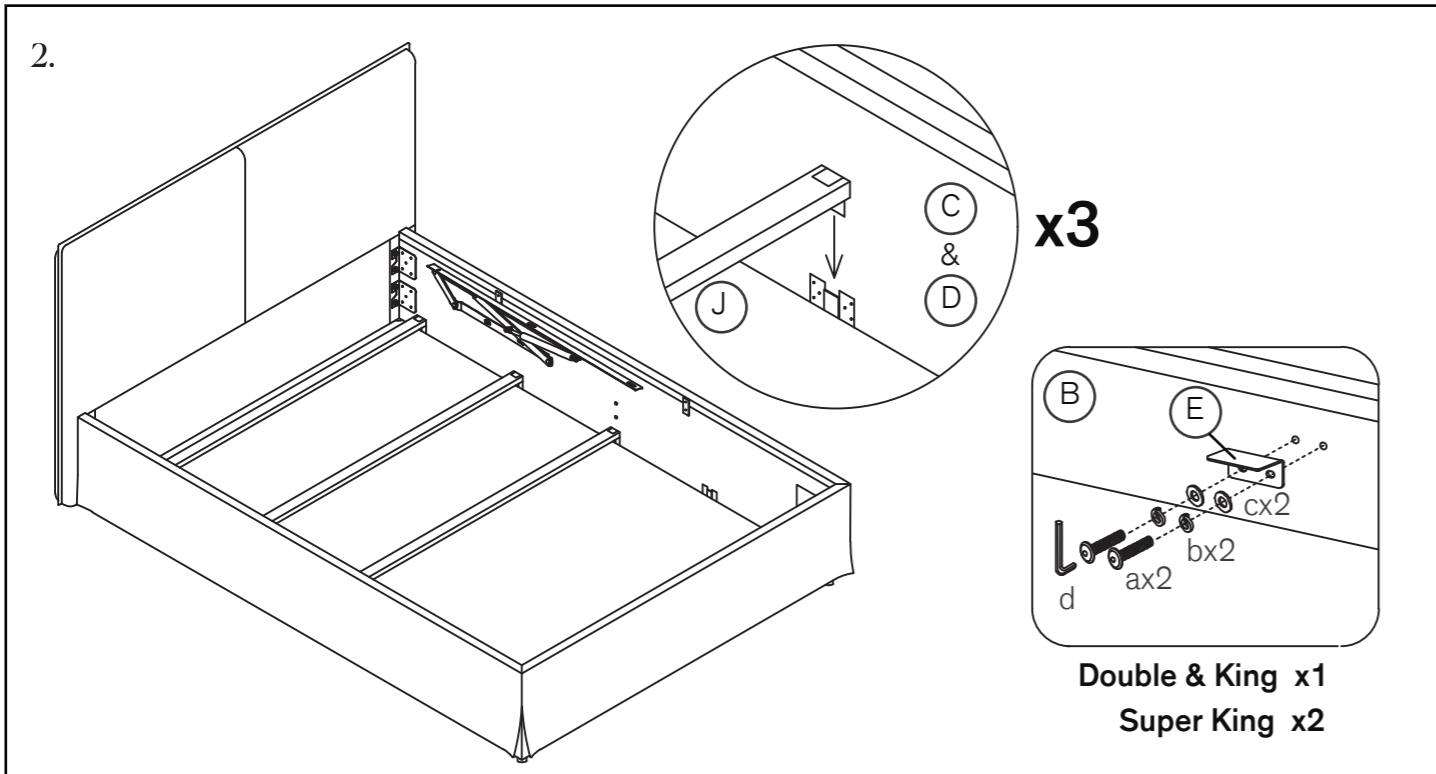
# feather&black

## Orla Ottoman Bed



# feather&black

## Orla Ottoman Bed



# feather&black

## Orla Ottoman Bed

