

feather & black

# Olivia Dressing Table

**IMPORTANT READ CAREFULLY – RETAIN FOR FUTURE REFERENCE**

**Thank you for buying the Olivia Dressing Table**

- Please take a few quite minutes to read these instructions
- This product contains small parts, keep small children clear of the assembly area

## **PRODUCT SAFETY**

- All assembly fastenings should always be tightened properly and care should be taken that no fittings are loose
- Periodically check and ensure that all components are in their proper position, free from damage, and that all connectors are tight

## **PRODUCT CARE**

- Wipe clean using a soft damp cloth followed by dry cloth
- Do not use abrasives or cleaning products which may contain ammonia or solvents
- Take care when handling or moving the furniture. Careless handling can damage wooden furniture, try to lift rather than drag

## **TOOLS REQUIRED**

- Please use Allen key (included) to assemble the Olivia Dressing Table









# feather & black

ASSEMBLY INSTRUCTIONS

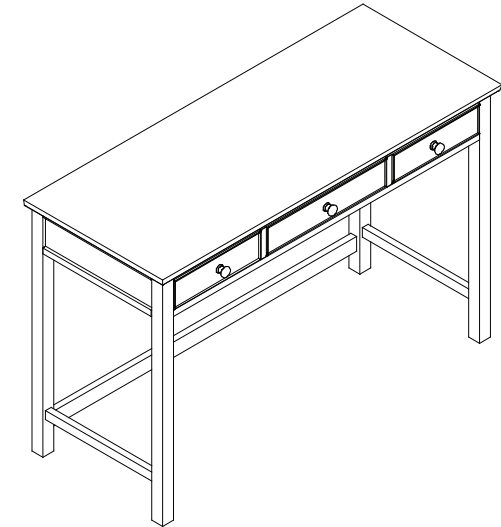
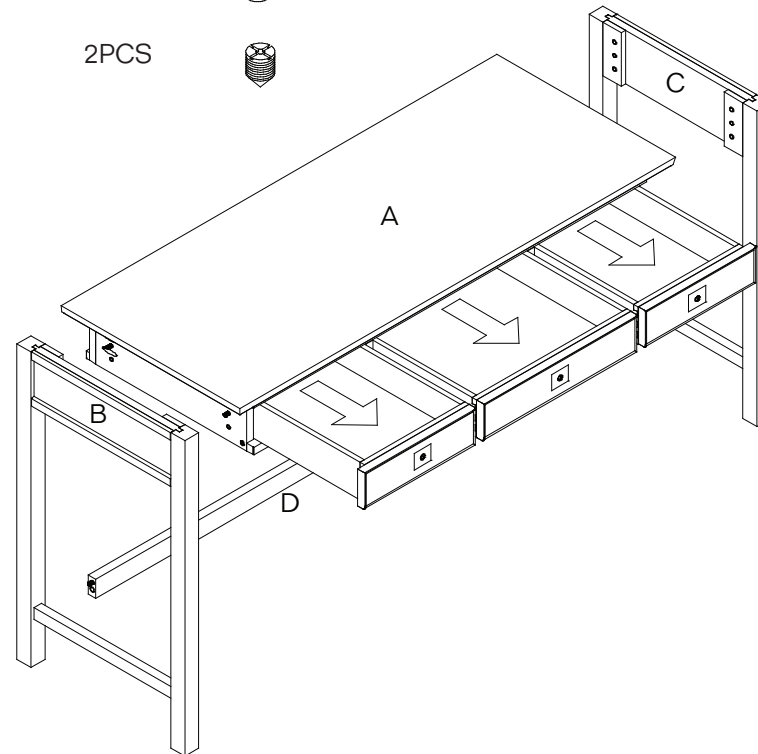
## OLIVIA DRESSING TABLE PAGE 1 OF 4

### HARDWARE INCLUDED

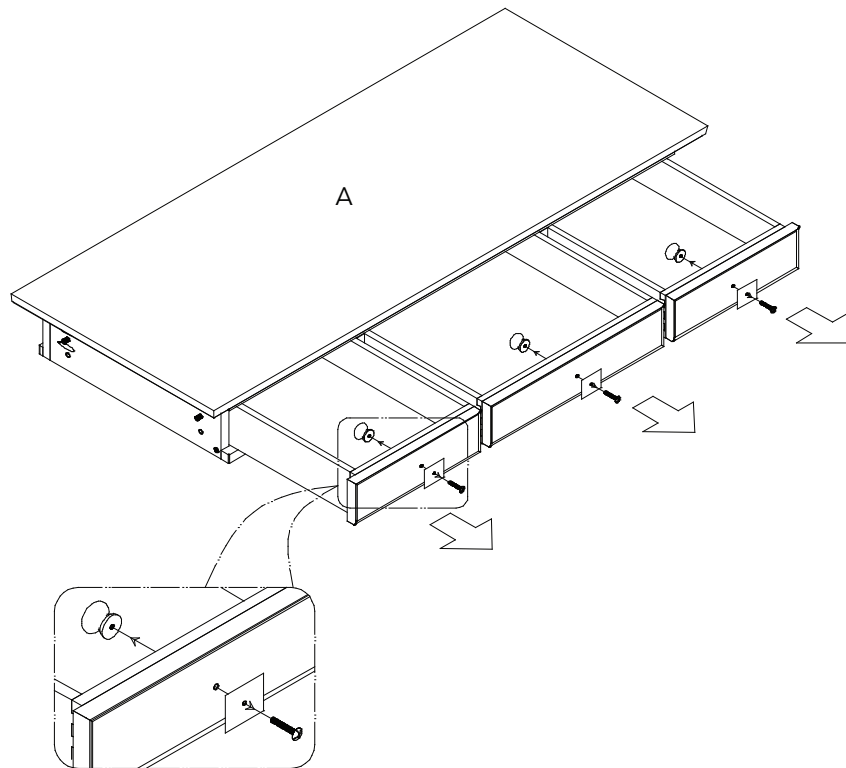
E	ALLEN HEAD BOLT : M6 x 25MM	8PCS	
F	LOCK WASHER : 1/4" x ø11 x 1.2MM	8PCS	
G	FLAT WASHER : 1/4" x ø13 x 1MM	8PCS	
H	CAM LOCK SCREW	2PCS	
I	CAM LOCK NUT	2 PCS	
J	CAM LOCK SET SCREW	2PCS	

### PARTS INCLUDED

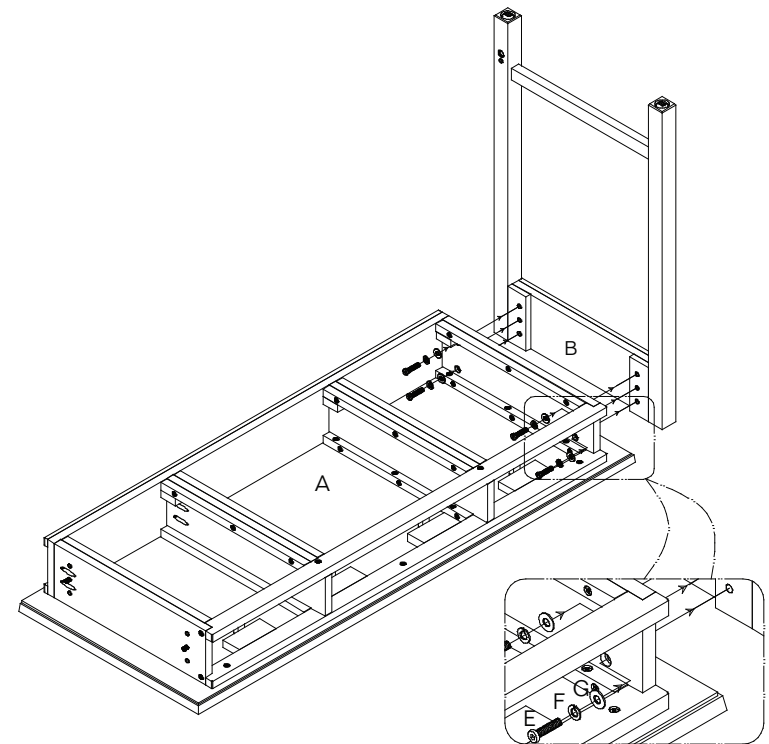
A	1PC
B	1PC
C	1PC
D	1PC



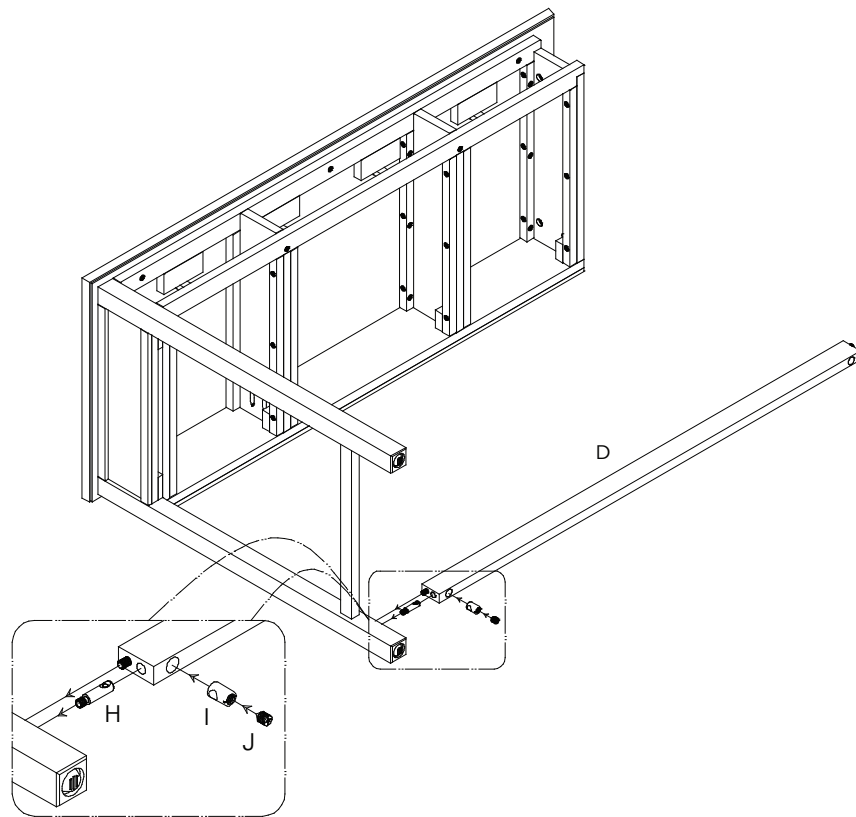
STEP 1



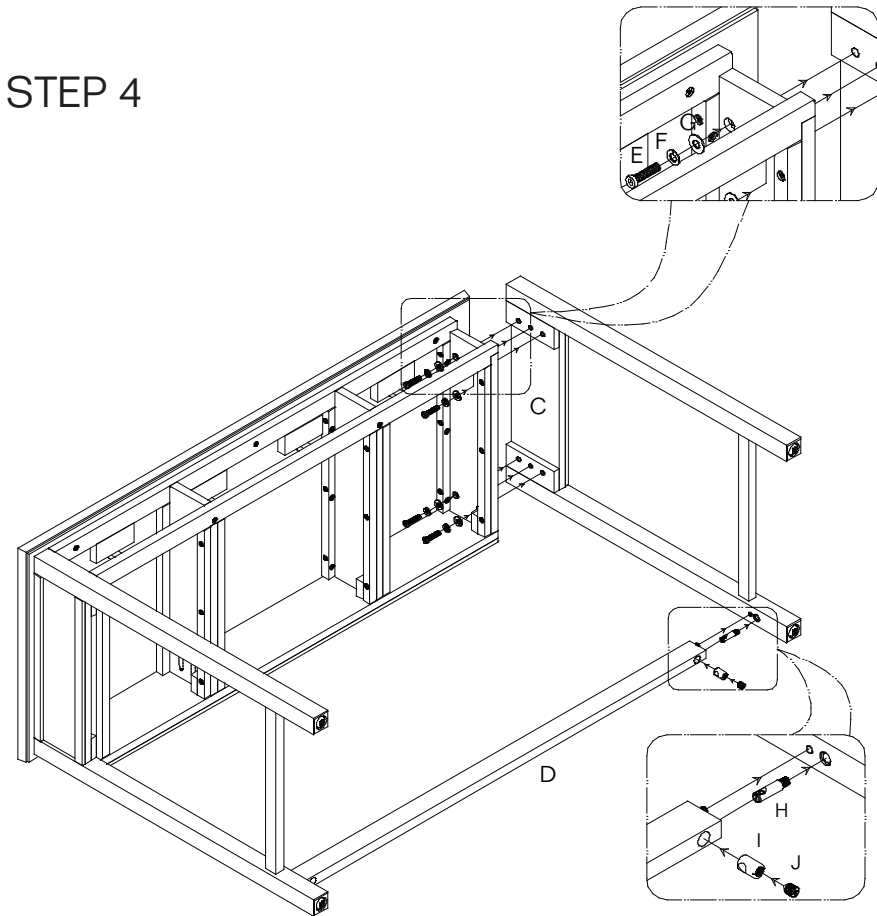
STEP 2



STEP 3



STEP 4



STEP 5

