

feather & black

Olivia Bedstead Single

IMPORTANT READ CAREFULLY – RETAIN FOR FUTURE REFERENCE

Thank you for buying the Olivia Bedstead Single

- Please take a few minutes to read these instructions
- It is recommended that this product is assembled by two adults
- This product contains small parts, keep small children clear of the assembly area

PRODUCT SAFETY

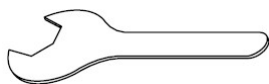
- All assembly fastenings should always be tightened properly and care should be taken that no fittings are loose
- Periodically check and ensure that all components are in their proper position, free from damage, and that all connectors are tight

PRODUCT CARE

- Wipe clean using a soft damp cloth followed by dry cloth
- Do not use abrasives or cleaning products which may contain ammonia or solvents
- Take care when handling or moving the furniture. Careless handling can damage wooden furniture, try to lift rather than drag

TOOLS REQUIRED

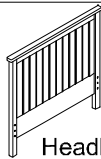
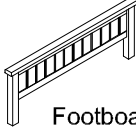







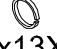


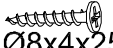
- Please use spanner (included) and Philips Head Screwdriver (not included) to assemble the Olivia Bedstead Single



feather & black

ASSEMBLY INSTRUCTION

OLIVIA3' BED PAGE 1 OF 1

	PARTS	Q'TY
A	 Headboard	1PC
B	 Footboard	1PC
C	 Side Rail	2PCS
D	Individual slat measurement 910x55x9mm	16PCS
E	 strip	1PC
F	Slat Caps 	32PCS
G	 Ø10x30mm	4PCS
H	 Ø8x110mm	8PCS
I	 Ø8x14x28mm	8PCS
J	 Ø5/16"x16X1.2mm	8PCS
K	 Ø5/16"x13X1.6mm	8PCS
L	 14xM8x6	8PCS
M	 87x25x1.5	1PC
N	 Ø8x4x25	2PCS

