

feather & black

Noah Highsleeper Reversible

IMPORTANT READ CAREFULLY RETAIN FOR FUTURE REFERENCE

Thank you for buying the Noah High Sleeper

- Please take a few minutes to read through these instructions before attempting to build this product
- Because of the size of this product we recommend that it is built in the room intended for use and that it is assembled by two adults
- As this product contains small parts please keep small children clear from the assembly area
- Carefully layout all the parts on a clean, flat surface and compare with the parts checklist. Save all packaging until assembly is complete to avoid accidentally discarding fittings

PRODUCT SAFETY

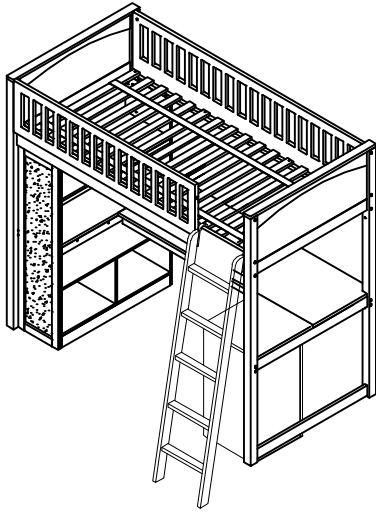
- Recommended Mattress Size: 190cm x 90cm. The thickness should not exceed the line marked on the upper end
- Do not allow children to jump on the bunks. Using this furniture other than for its intended purpose could cause damage to the structure or serious injury to your child
- Be aware of the danger of young children (under 6) falling from the upper bunk
- We recommend that you periodically check and ensure that all components are in their proper position, free from damage, and that all fittings are fully tightened
- Before each usage or assembly, inspect bed for damaged hardware, loose joints, missing parts or sharp edges. Do not use bunk bed if any parts are missing or broken
- Always use the ladder for entering and leaving the upper bunk
- Never attach or hang items to any part of the bunk bed that are not designed for use with the bed
- Noah MidSleeper has passed BS EN 747-1&2:2012
- Children can strangle in items such as ropes stings cords harnesses and belts attached to bunk bed/high bed

Warning: Children can become trapped between the bed and the wall. To avoid risk of serious injury the distance between the top safety barrier and the wall shall not exceed 75mm or shall be more than 230mm.

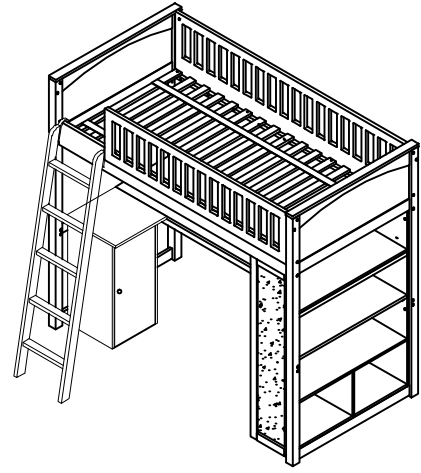
Warning: "High beds and the upper bed of bunk beds are not suitable for children under six years due to the risk of injury from falls"

PRODUCT CARE

- Wipe clean using a soft damp cloth followed by dry cloth
- Do not use abrasives or cleaning products which may contain ammonia or solvents
- Take Care when handling or moving the furniture. Careless handling can damage furniture, try to lift rather than drag
- TWO options of the Noah High Sleeper can be assembled(as below drawings)



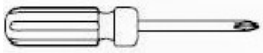
option 1



option 2

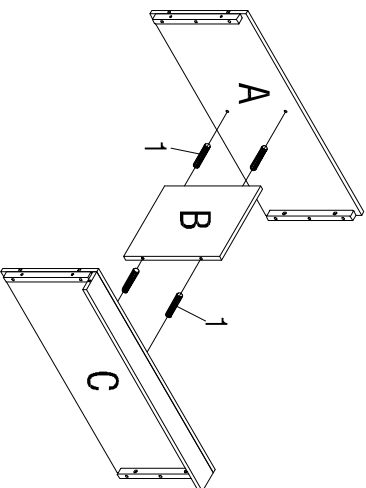
TOOLS REQUIRED

- Please use Philips Head Screwdriver (not included) and Allen key part 11, 12 (included) to assemble the Noah High Sleeper

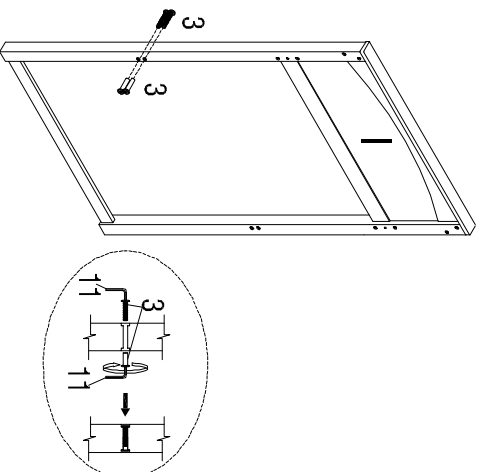


PARTS	QTY		
A	1PC	<p>T Overall measurement 1885x22x18mm</p>	1PC
B	1PC		
C	1PC		
D	1PC		
E	1PC	<p>Individual slat measurement 922x50x18mm</p>	1PC
F	1PC		
G	1PC	<p>Dowel 69x30mm</p>	24PCS
H	1PC		
I	1PC	<p>Allen head bolt 69x28mm</p>	9SET
J	1PC		
K	1PC	<p>Dowel 610x40mm</p>	4PCS
L	1PC		
M	1PC	<p>Wood screw 94x25mm</p>	10PCS
N	1PC	<p>Allen head bolt 68x45mm</p>	1PC
O	2PCS	<p>4mm Allen key</p>	2PC
P	1PC	<p>5mm Allen key</p>	1PC
Q	1PC		4PCS
R	1PC	<p>15mm</p>	13PCS
S	1PC	<p>17mm</p>	28PCS
	1PC	<p>16mm</p>	28PCS
	1PC	<p>13mm</p>	2PCS
			2PCS
			18

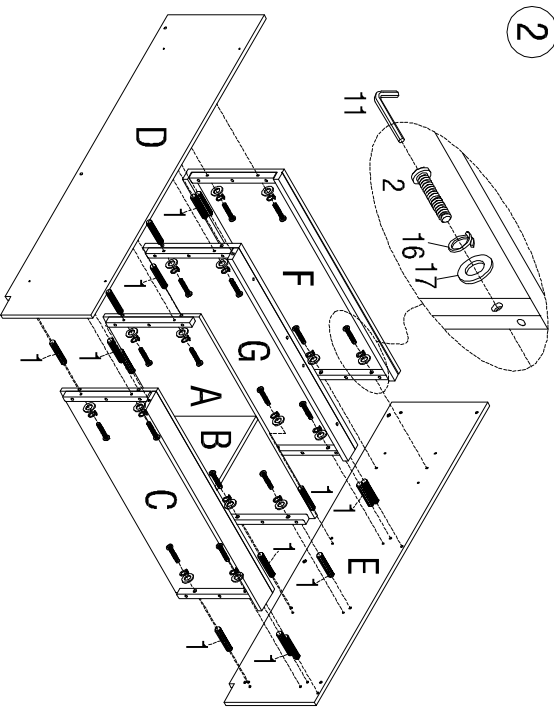
1 option 1



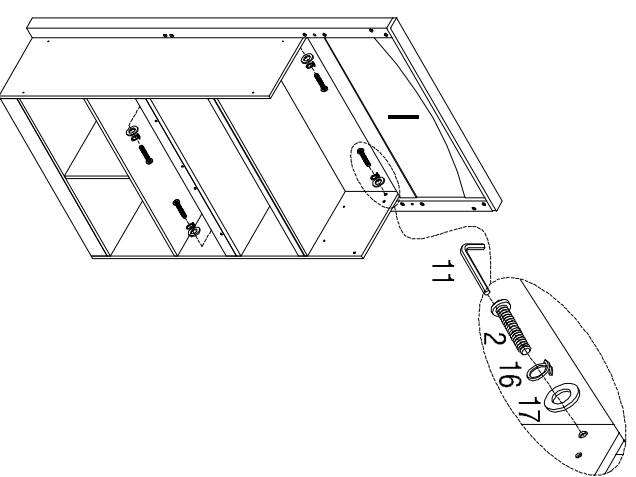
3 **CAUTION!** TO PREVENT FINGER ENTRAPMENT OF CHILDREN, IT IS IMPORTANT TO CLOSE UP OPENING HOLES WITH FITTINGS (3) BEFORE ASSEMBLING. USING TOOLS (11).



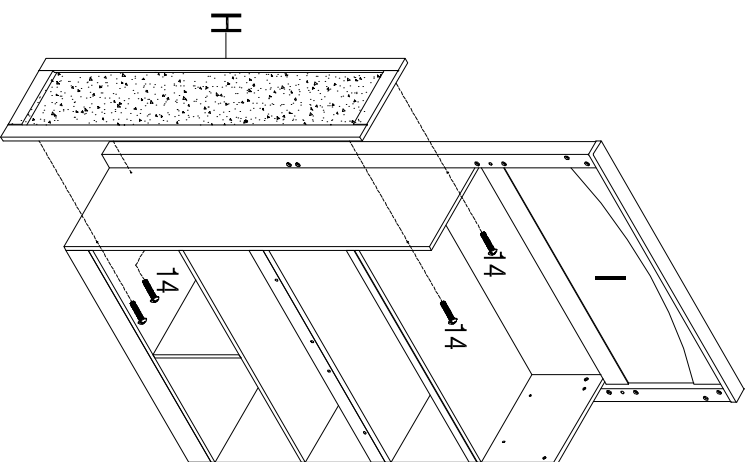
2



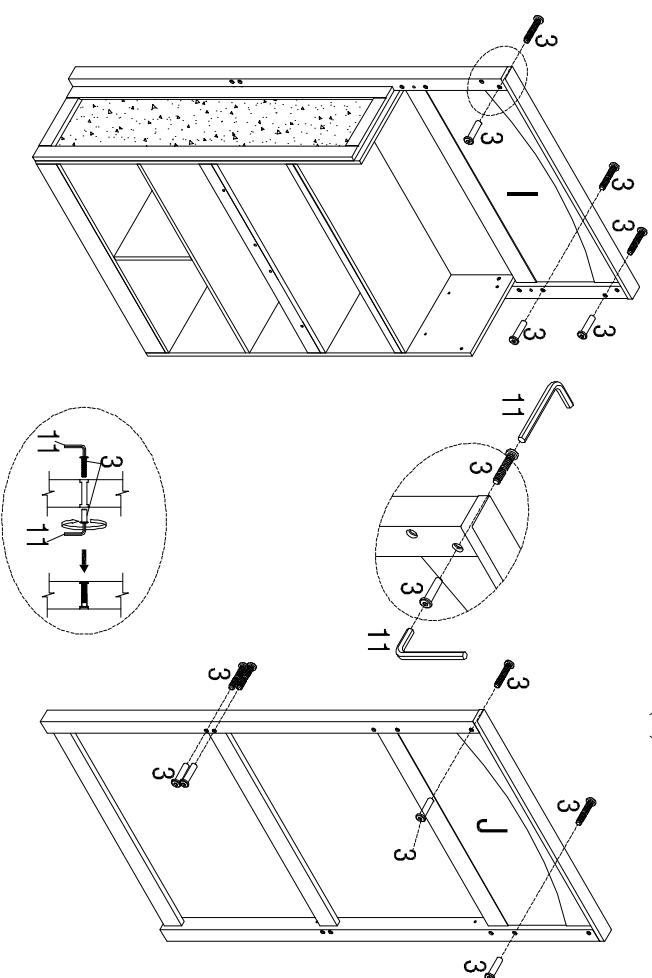
4



5

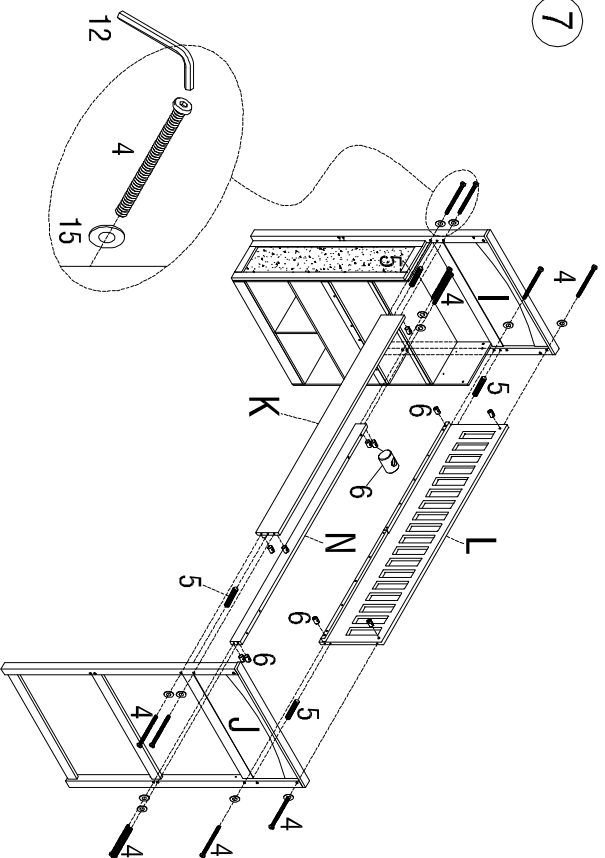


6

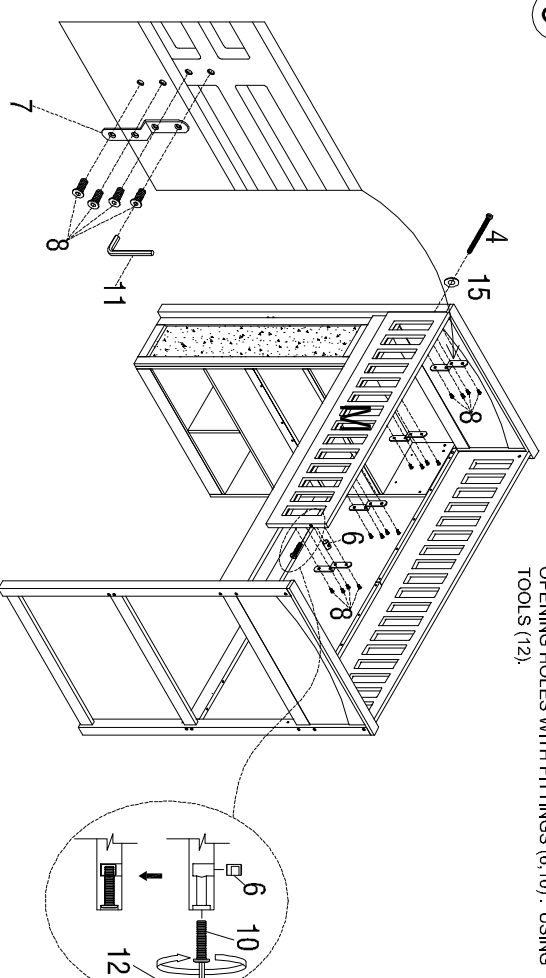


CAUTION! TO PREVENT FINGER ENTRAPMENT OF CHILDREN, IT IS IMPORTANT TO CLOSE UP OPENING HOLES WITH FITTINGS (3) BEFORE ASSEMBLING. USING TOOLS (11).

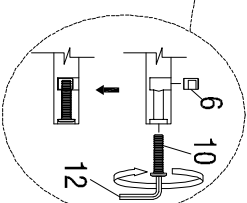
7



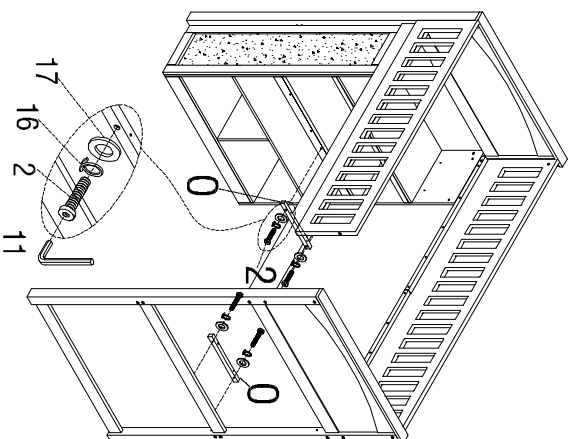
8



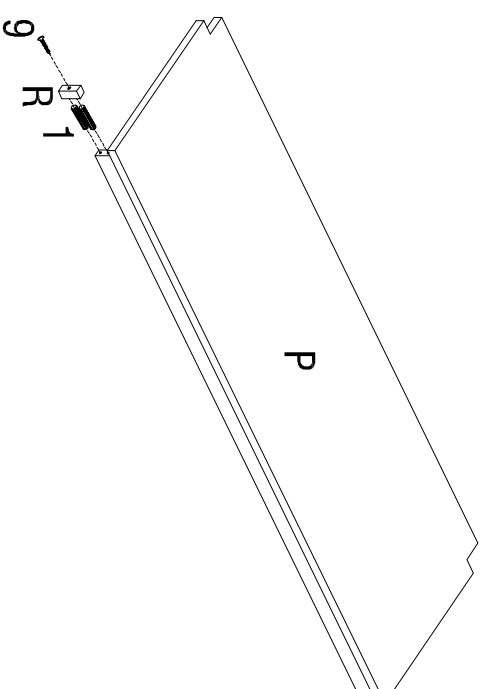
CAUTION! TO PREVENT FINGER ENTRAPMENT OF CHILDREN, IT IS IMPORTANT TO CLOSE UP OPENING HOLES WITH FITTINGS (6,10). USING TOOLS (12).



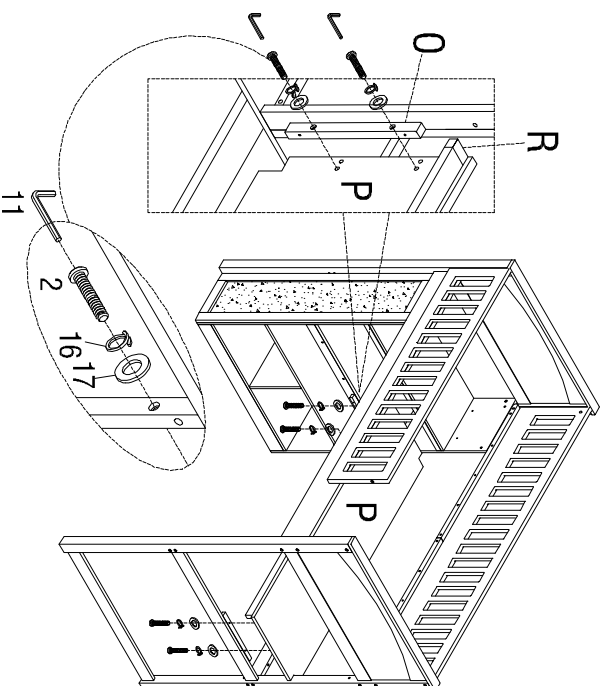
9



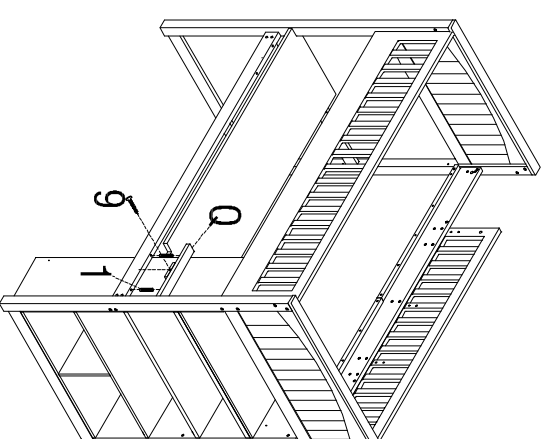
10



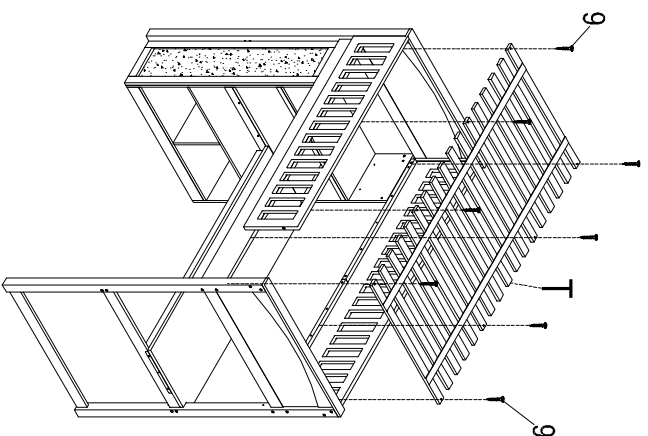
11



12

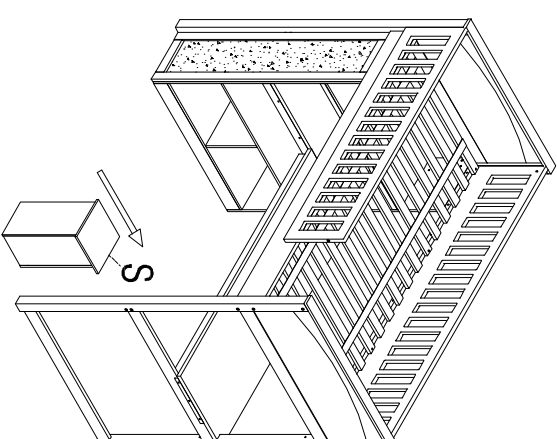
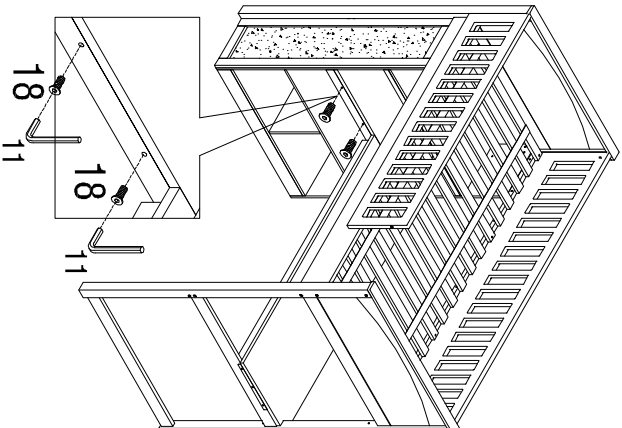


13

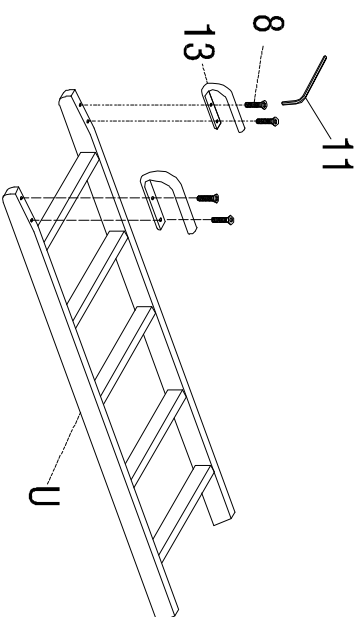


14

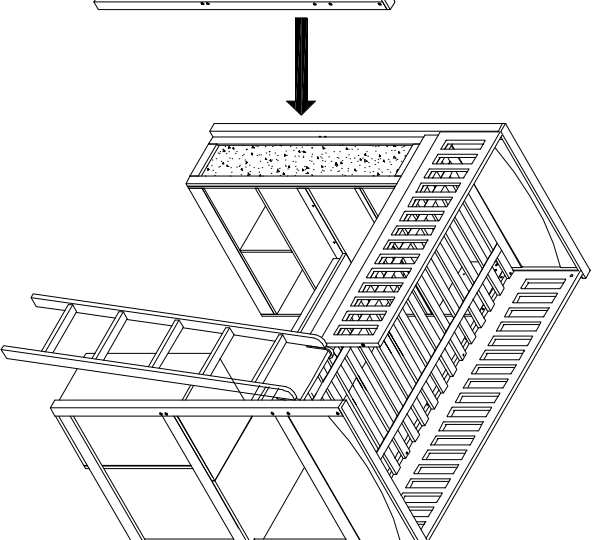
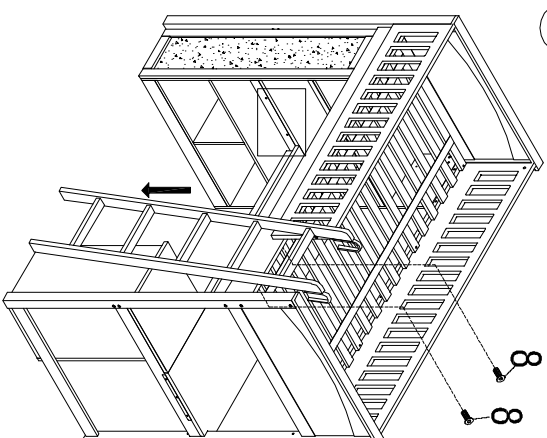
CAUTION! TO PREVENT FINGER ENTRAPMENT OF CHILDREN, IT IS IMPORTANT TO CLOSE UP OPENING HOLES WITH FITTINGS (18) BEFORE ASSEMBLING. USING TOOLS (11).



15

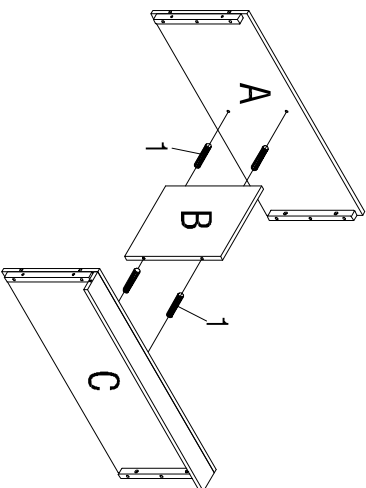


16

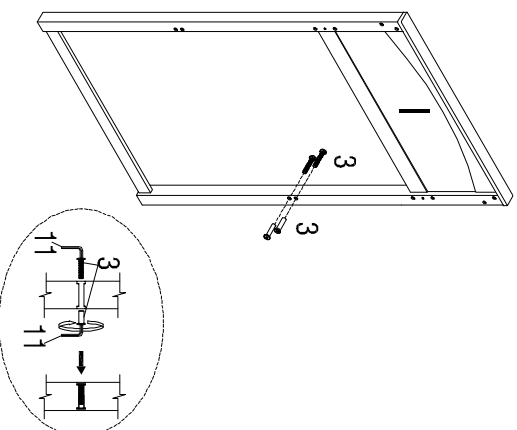


PARTS	QTY		
A	1PC	<p>T Overall measurement 1885x22x18mm</p>	1PC
B	1PC		
C	1PC		
D	1PC		
E	1PC	<p>Individualslat measurement 922x50x18mm</p>	1PC
F	1PC		
G	1PC	<p>Dowel 69x30mm</p>	24PCS
H	1PC		
I	1PC	<p>Allen head bolt 69x28mm</p>	9SET
J	1PC		
K	1PC	<p>Dowel 610x40mm</p>	4PCS
L	1PC		
M	1PC	<p>Wood screw 94x25mm</p>	10PCS
N	1PC		
O	2PCS	<p>Allen Head Bolt 68x45mm</p>	1PC
P	1PC		
Q	1PC	<p>3mm Allen key</p>	1PC
R	1PC		
S	1PC	<p>613mm</p>	28PCS

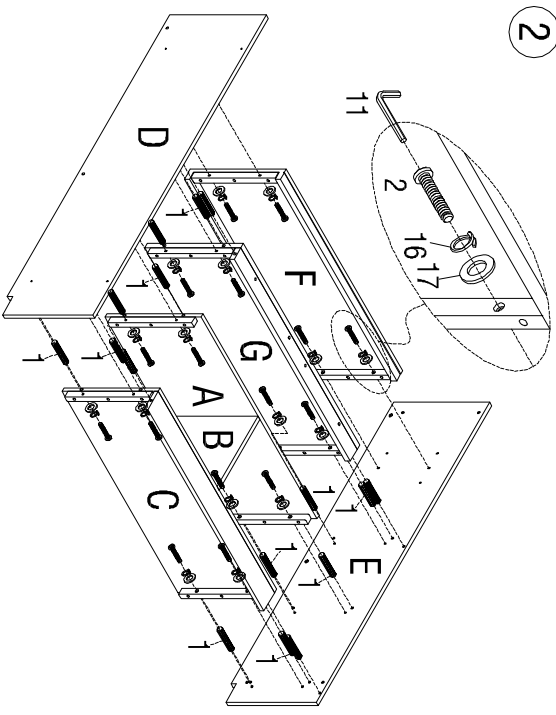
1 option 2



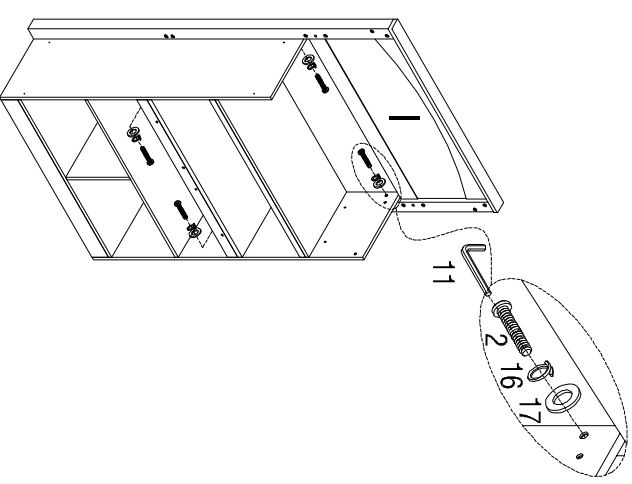
3 CAUTION! TO PREVENT FINGER ENTRAPMENT OF CHILDREN, IT IS IMPORTANT TO CLOSE UP OPENING HOLES WITH FITTINGS (3) BEFORE ASSEMBLING. USING TOOLS (11).

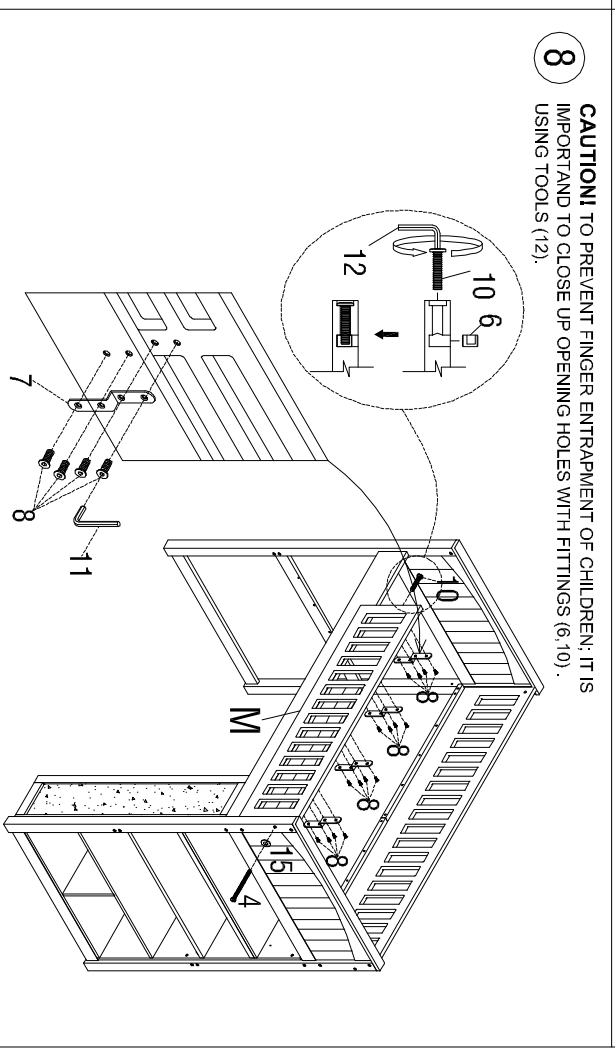
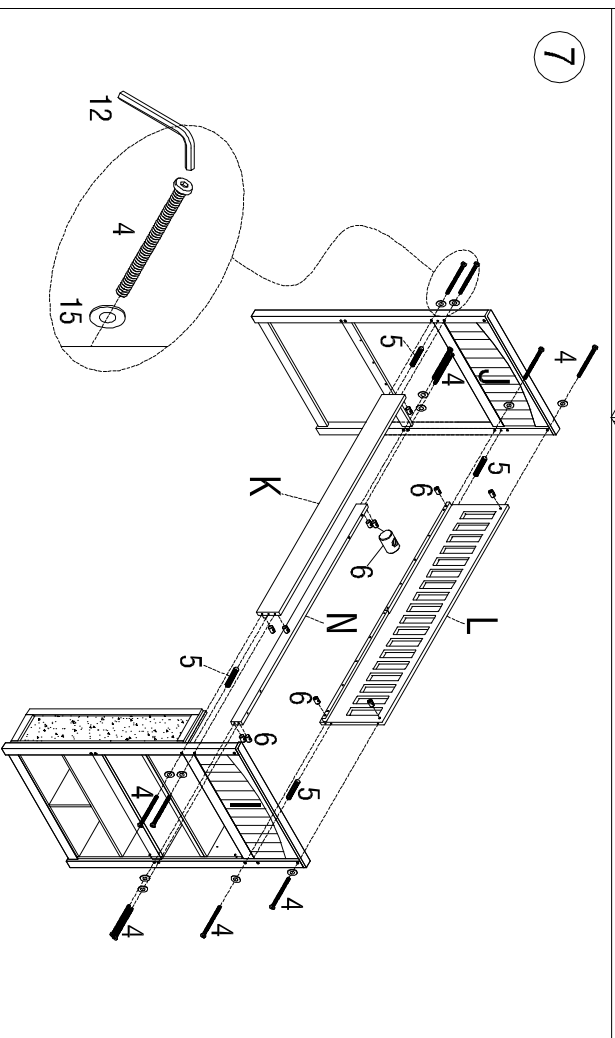
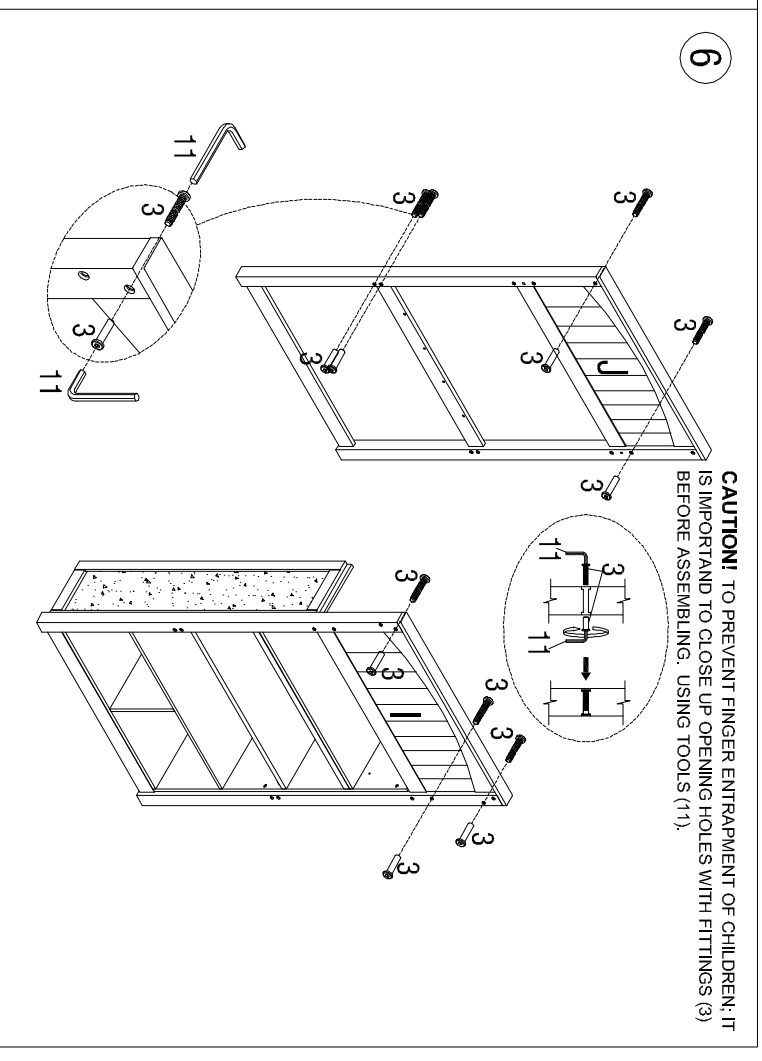
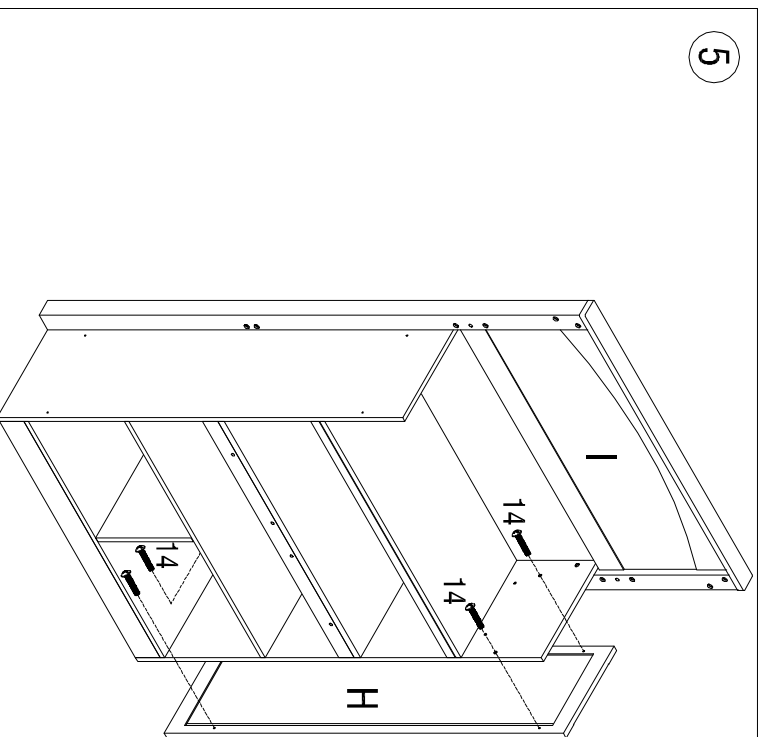


2

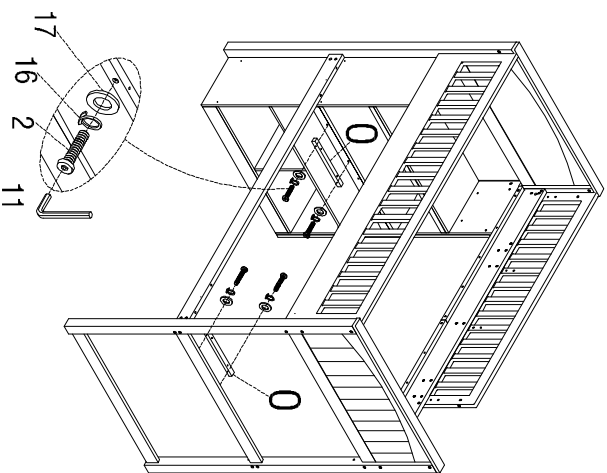


4

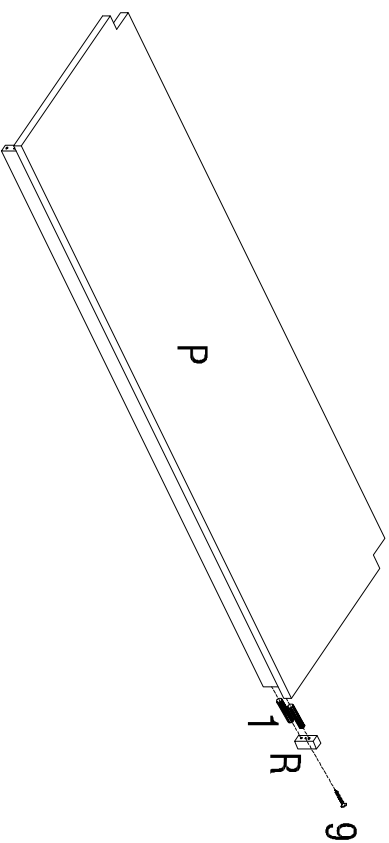




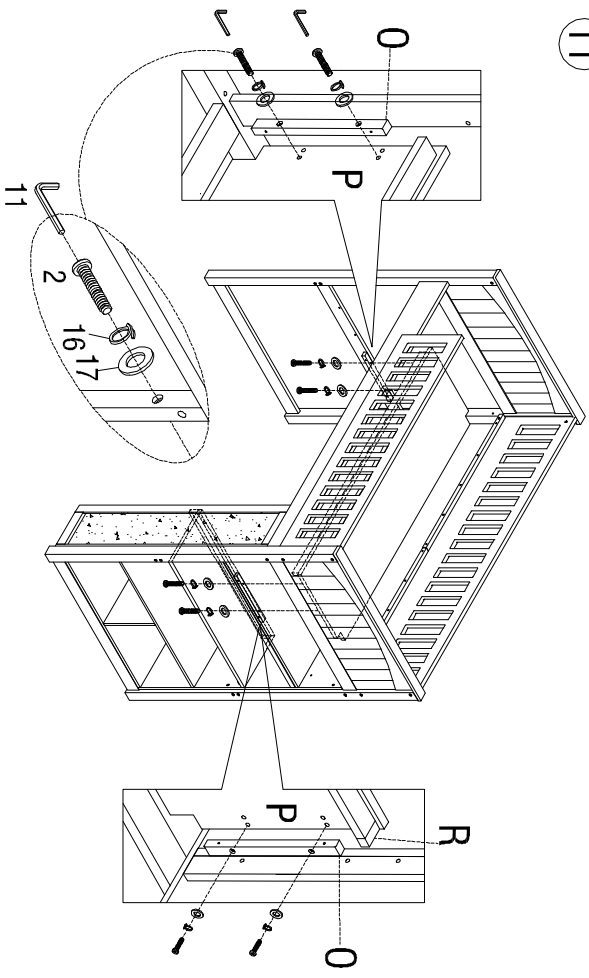
9



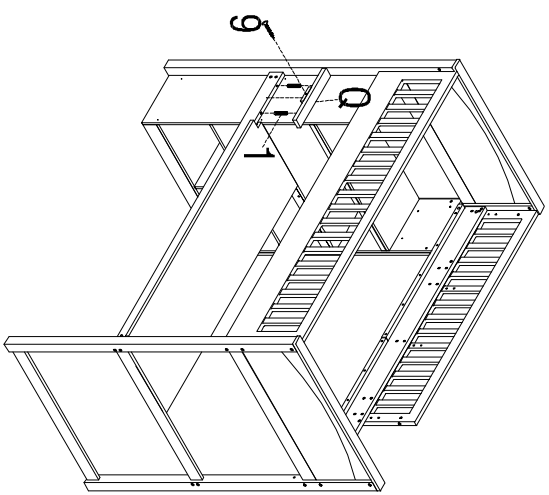
10



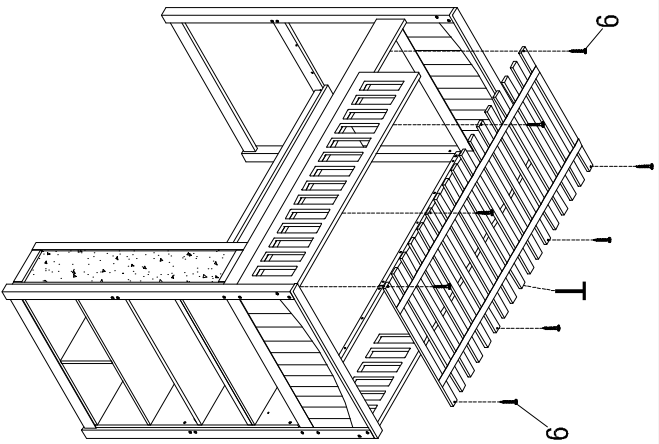
11



12

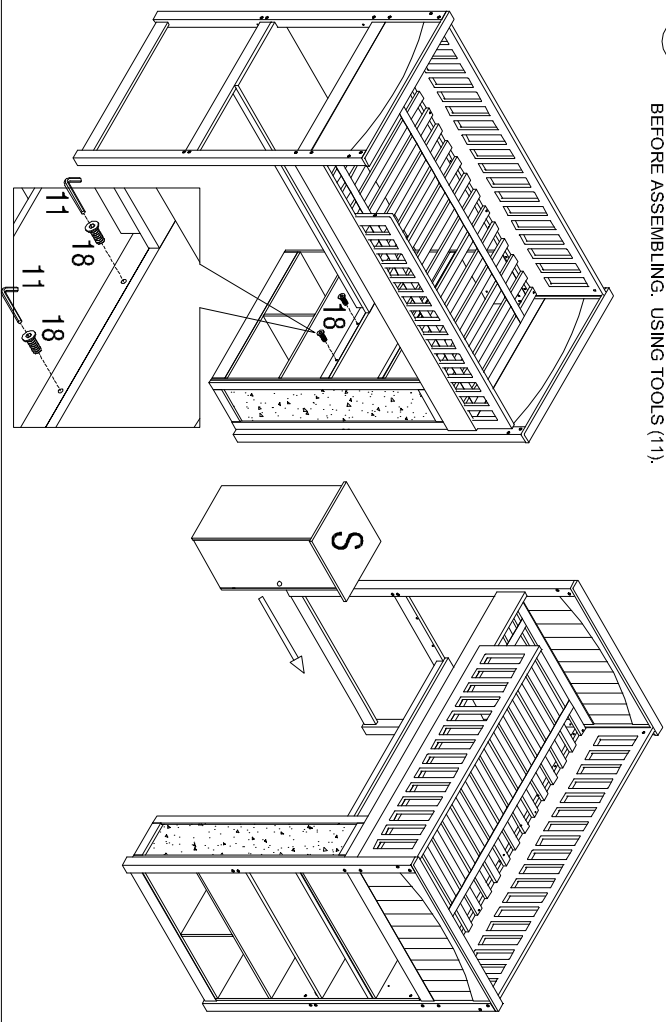


13

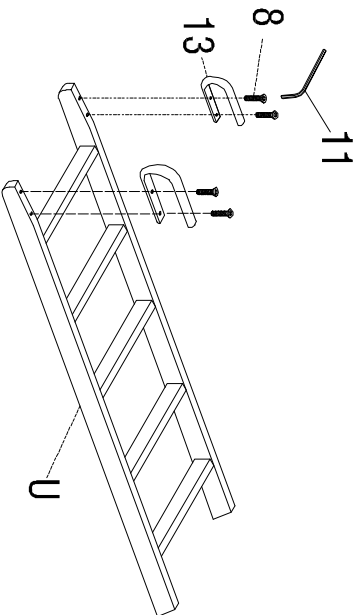


14

CAUTION! TO PREVENT FINGER ENTRAPMENT OF CHILDREN, IT IS IMPORTANT TO CLOSE UP OPENING HOLES WITH FITTINGS (18) BEFORE ASSEMBLING. USING TOOLS (11).



15



16

