

feather & black

Marblehead Storage Bedstead King

IMPORTANT READ CAREFULLY – RETAIN FOR FUTURE REFERENCE

Thank you for buying the Marblehead Storage Bedstead King

- Please take a few quite minutes to read these instructions
- It is recommended that this product is assembled by two adults
- This product contains small parts, keep small children clear of the assembly area
- Lay out the parts on a clean, flat surface and compare with the parts checklist. Save all packaging until assembly is complete to avoid accidentally discarding fittings

PRODUCT SAFETY

- All assembly fastenings should always be tightened properly and care should be taken that no fittings are loose

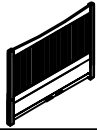

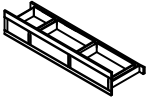
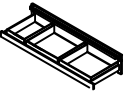








PRODUCT CARE

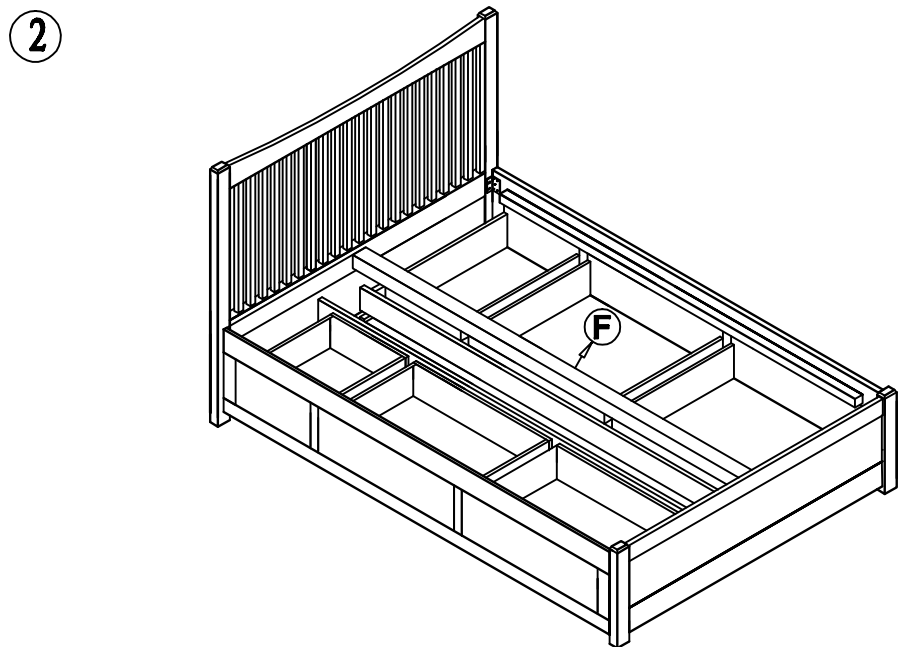
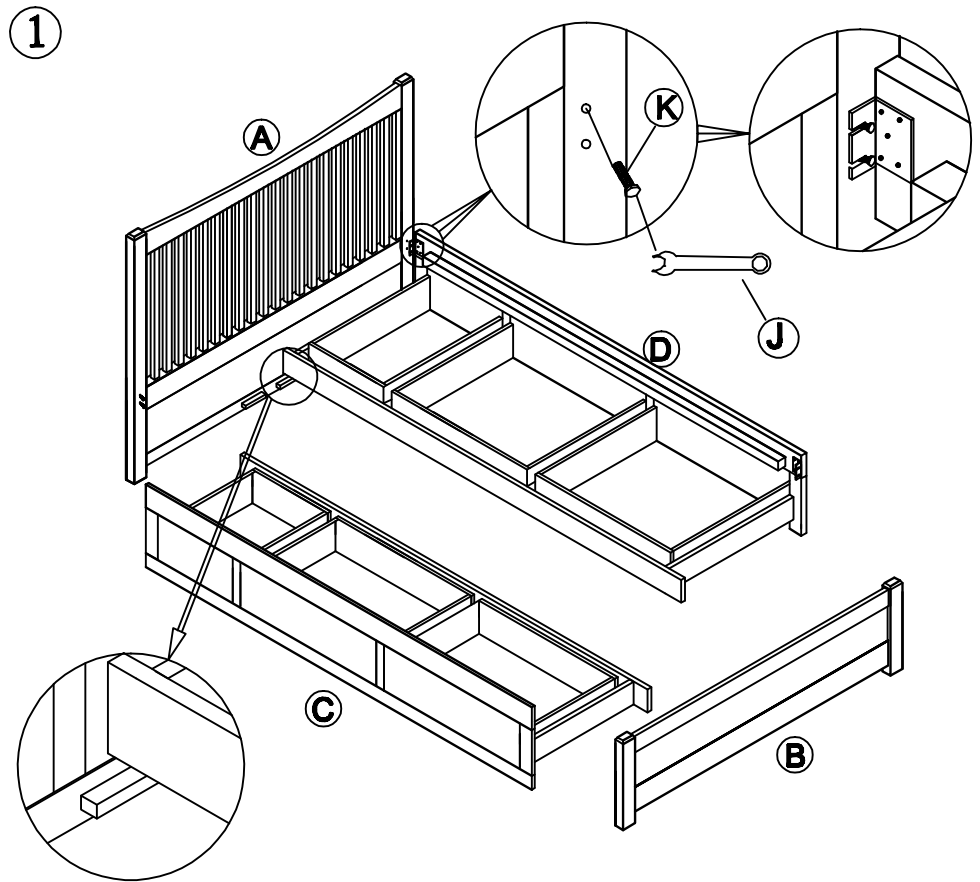
- Wipe clean using a soft damp cloth followed by dry cloth
- Do not use abrasives or cleaning products which may contain ammonia or solvents
- Take care when handling or moving the furniture. Careless handling can damage wooden furniture, try to lift rather than drag
- Colour may vary due to this being a natural product.

TOOLS REQUIRED

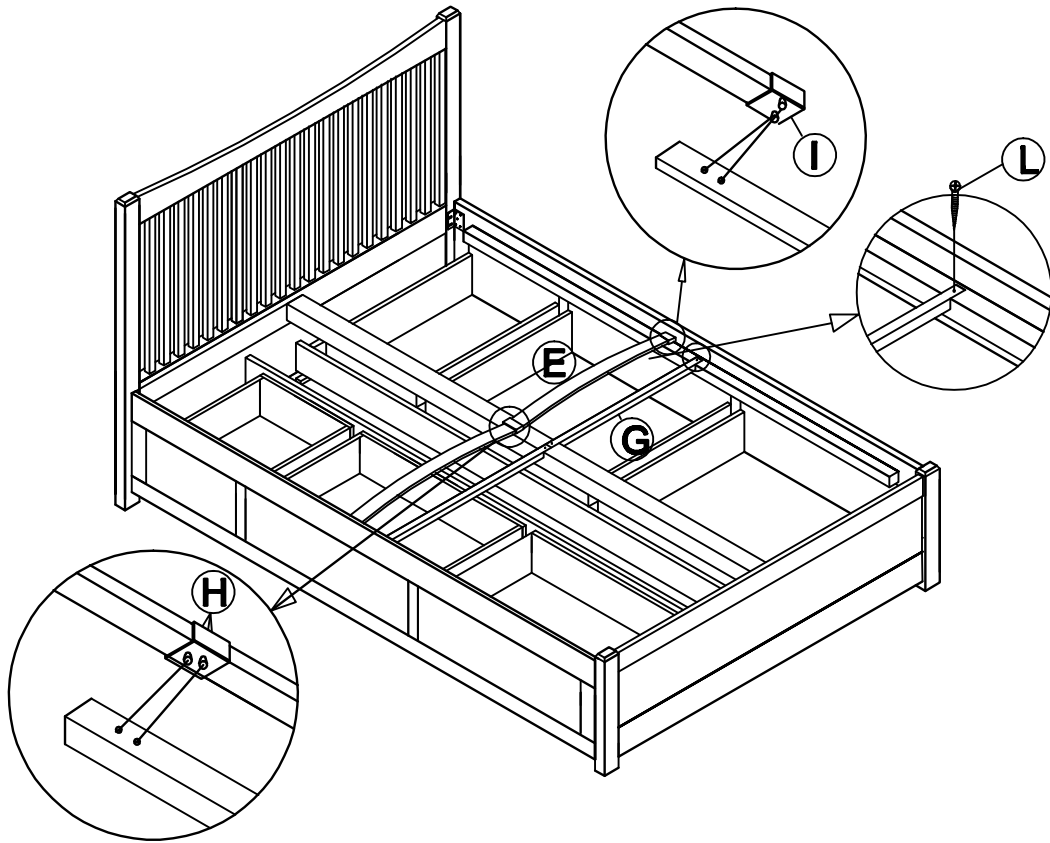
- Please use spanner part J (included) to assemble the bedstead



	PARTS	Q'TY
A		1PC
B		1PC
C		1PC
D		1PC
E		26PCS
F		1PC
G		2PCS
H	 55*50*25	13PCS
I	 55*30*25	26PCS
J	 190*35*6	1PC
K	 M10*25	8PCS
L	 Φ4*25	4PCS



3



4

