

Marblehead Low end Bed

IMPORTANT READ CAREFULLY – RETAIN FOR FUTURE REFERENCE

Thank you for buying the Marblehead Low end Bed

- Please take a few quiet minutes to read these instructions
- It is recommended that this product is assembled by two adults
- This product contains small parts, keep small children clear of the assembly area
- Lay out the parts on a clean, flat surface and compare with the parts checklist. Save all packaging until assembly is complete to avoid accidentally discarding fittings

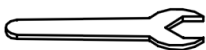
PRODUCT SAFETY

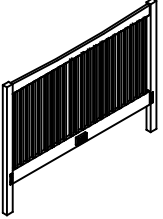
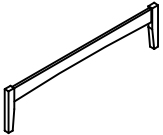
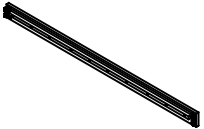
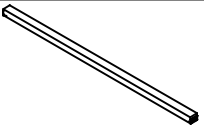
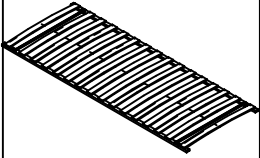
- All assembly fastenings should always be tightened properly and care should be taken that no fittings are loose

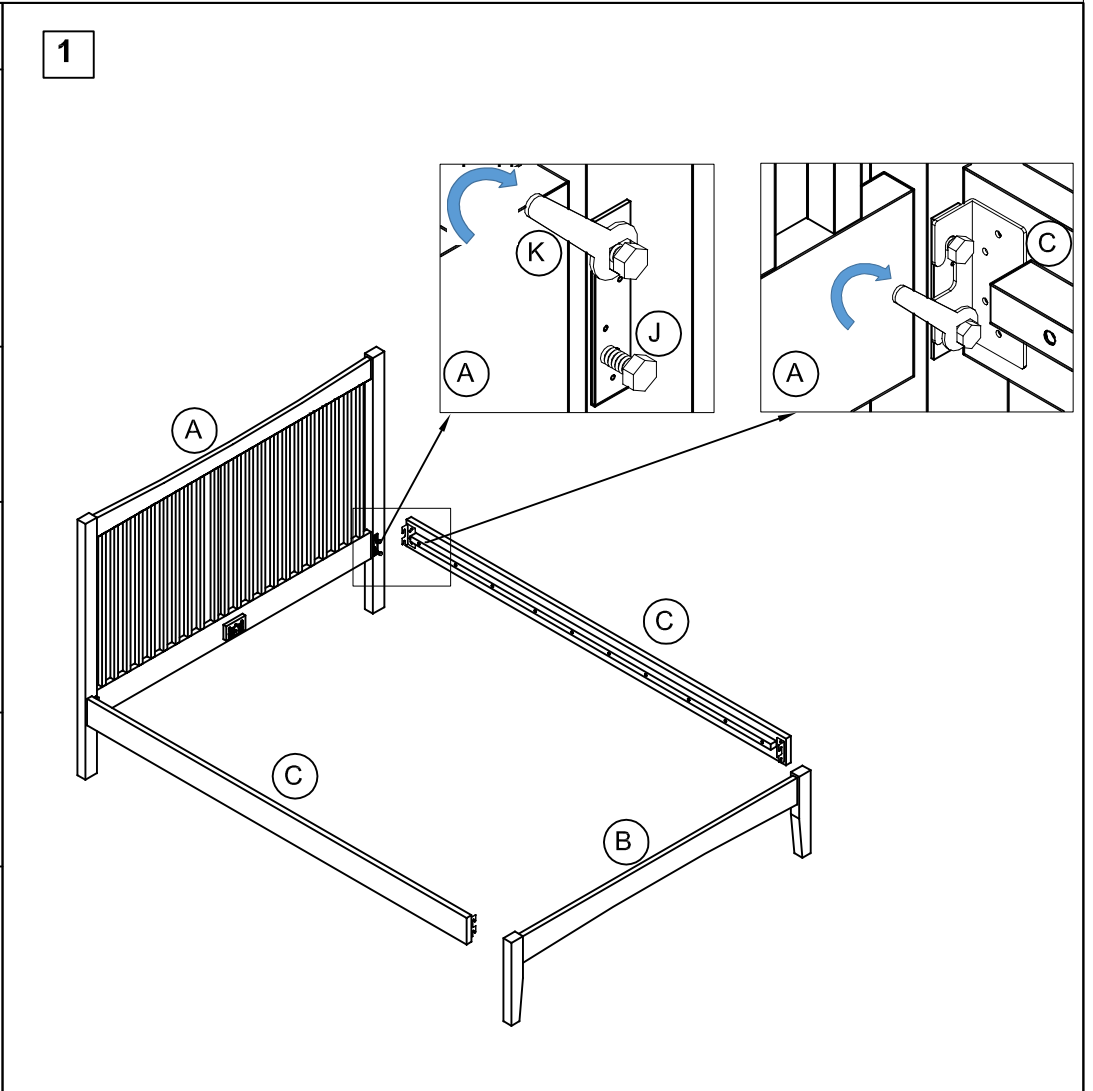
PRODUCT CARE

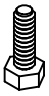
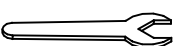

- Wipe clean using a soft damp cloth followed by dry cloth
- Do not use abrasives or cleaning products which may contain ammonia or solvents
- Take care when handling or moving the furniture. Careless handling can damage wooden furniture, try to lift rather than drag
- Colour may vary due to this being a natural product.

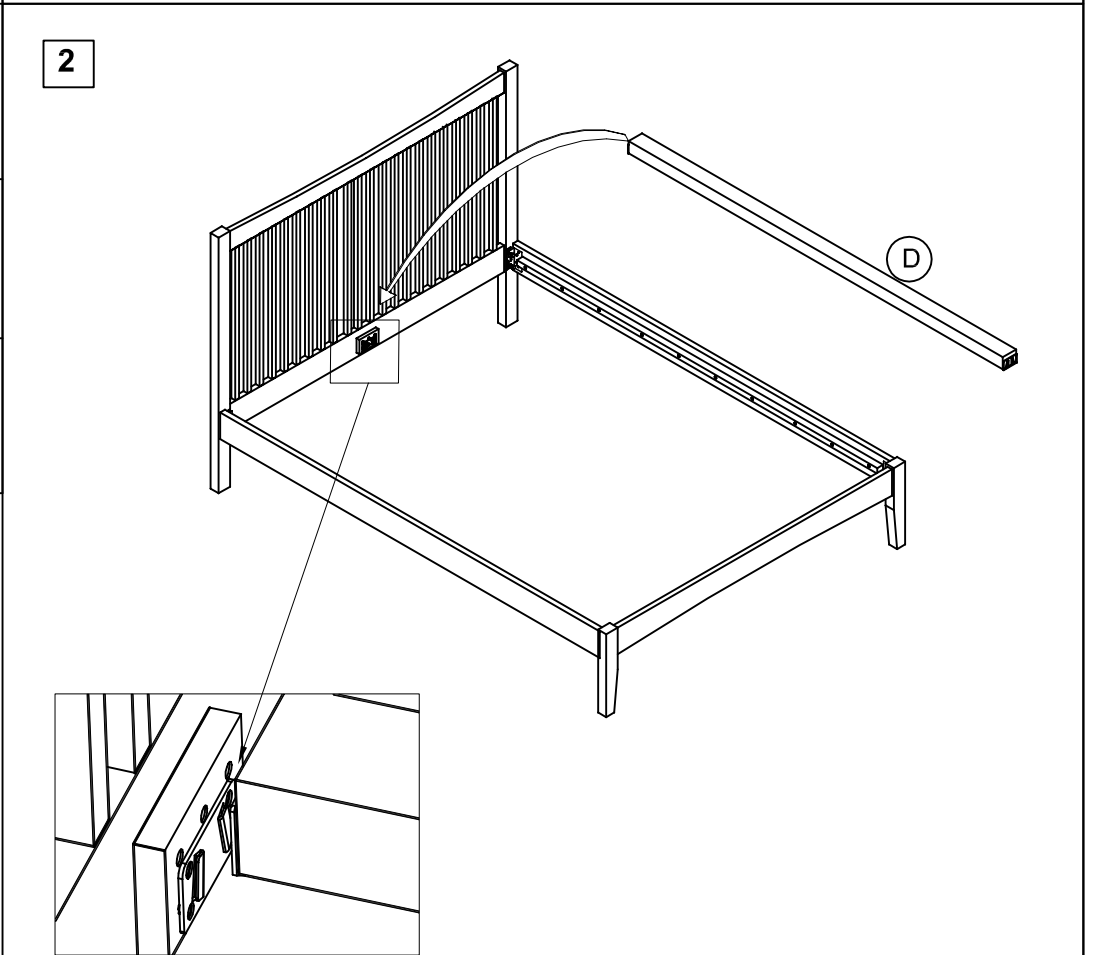
TOOLS REQUIRED



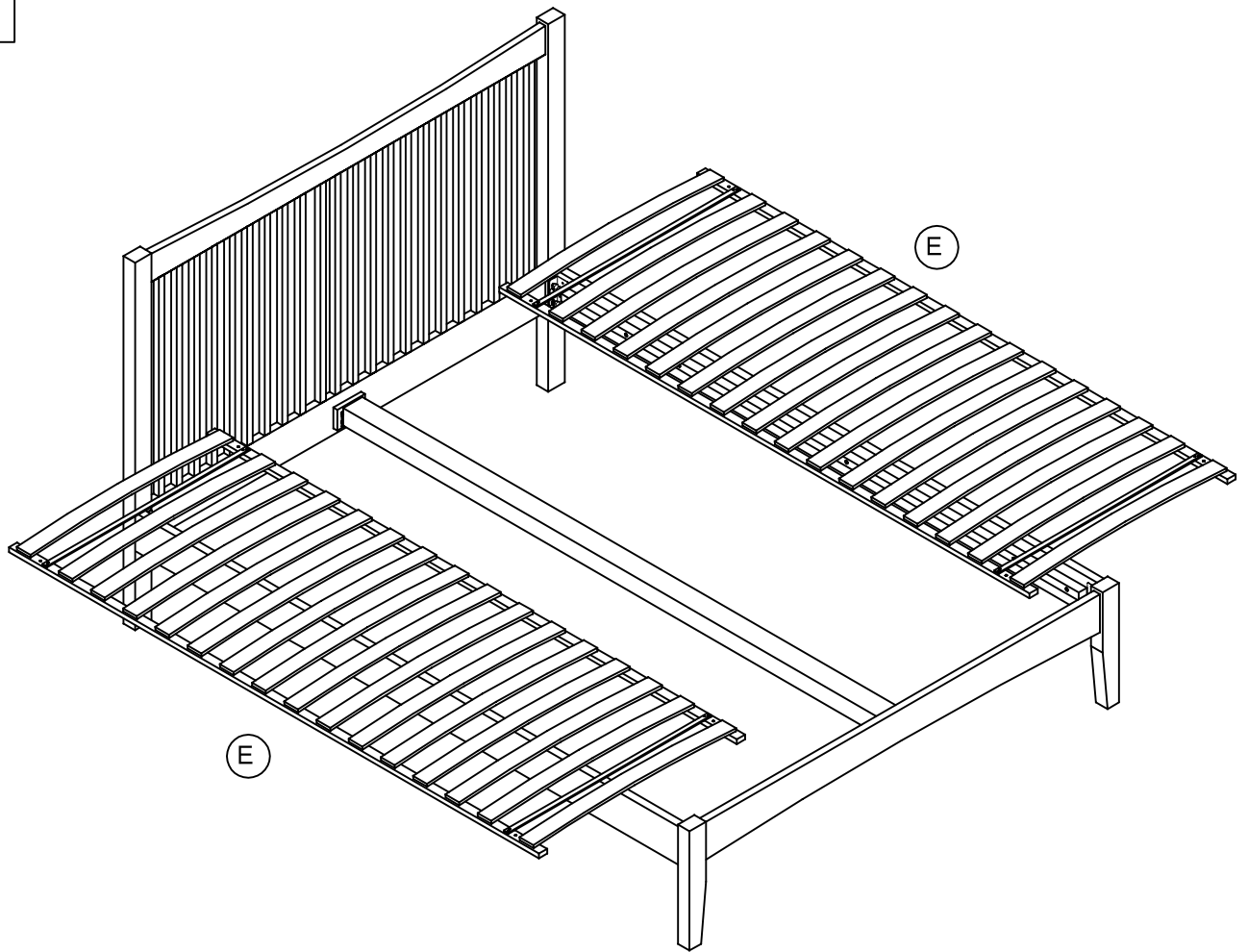
	PARTS	QTY
A		1
B		1
C		2
D		1
E		2



J	 M8x25	8
K		1
N	 4x35	8



3



4

