

feather&black

Perfect Bedtimes

Marblehead Double Wardrobe

IMPORTANT READ CAREFULLY RETAIN FOR FUTURE REFERENCE

Thank you for buying the Marblehead Double Wardrobe

- Please take a few quiet minutes to read these instructions
- This product contains small parts, keep small children clear of the assembly area
- It is recommended that this product is assembled by two adults.
- Lay out the parts on a clean, flat surface and compare with the parts checklist. Save all packaging until assembly is complete to avoid accidentally discarding fittings

PRODUCT SAFETY

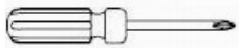
- All assembly fastenings should always be tightened properly and care should be taken that no fittings are loose
- Feather & Black strongly advise using the Anti-Tip wall fixings provided with this product however the wall fixing itself may need to be altered depending on your wall. If these fixings have been misplaced please contact our customer service team who will be more than happy to send you a replacement kit.

PRODUCT CARE

- Wipe clean using a soft damp cloth followed by a dry cloth
- Do not use abrasives or cleaning products which may contain ammonia or solvents
- Take care when handling or moving the furniture. Careless handling can damage wooden furniture, try to lift rather than drag
- Colour may vary due to this being a natural product

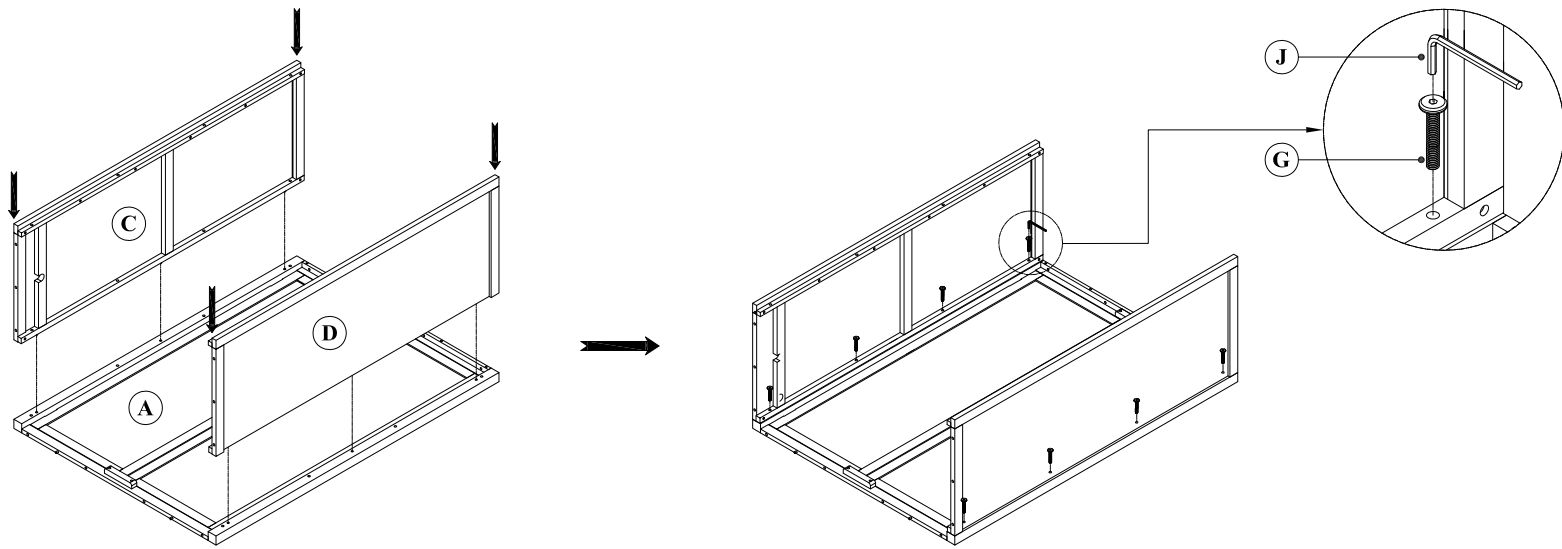
TOOLS REQUIRED

- Please use Philips Head Screwdriver (not included) and Allen key part J (included) to assemble the wardrobe.

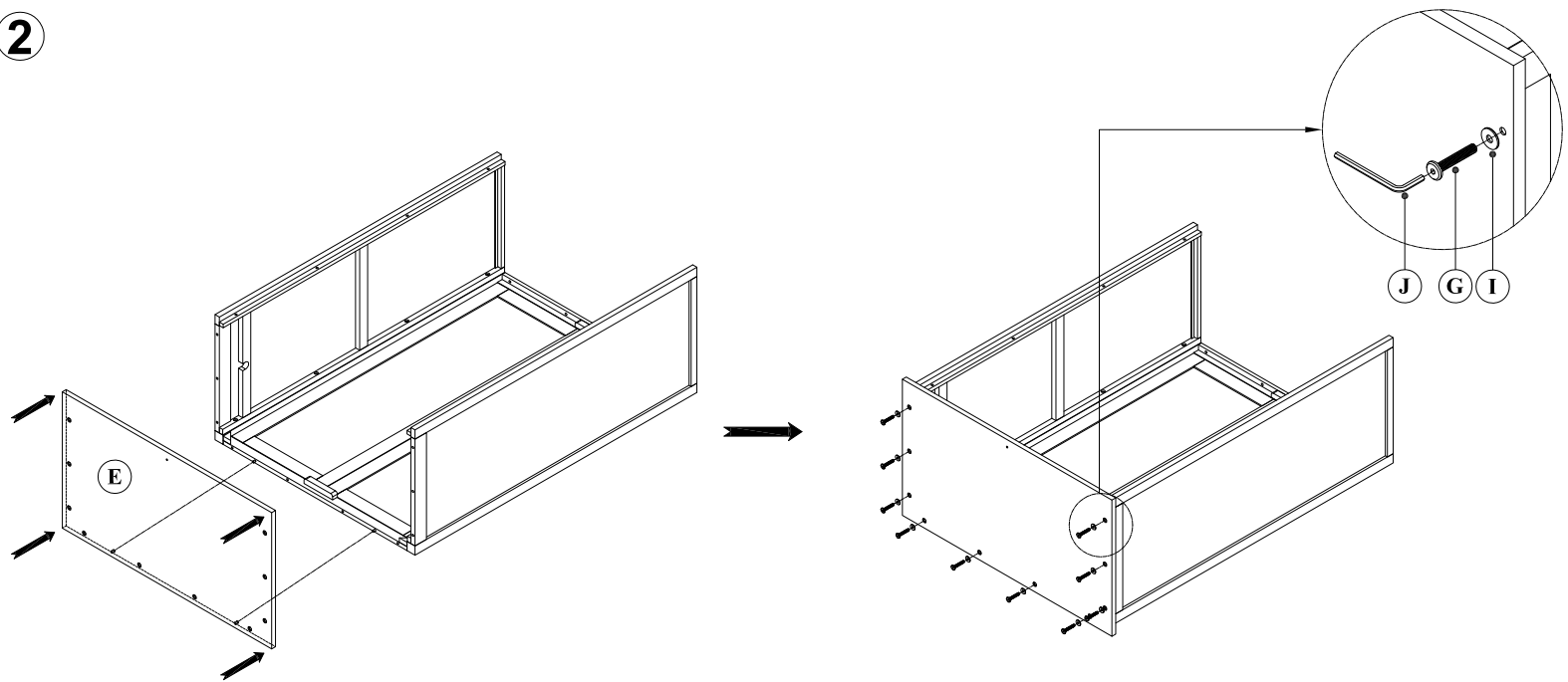


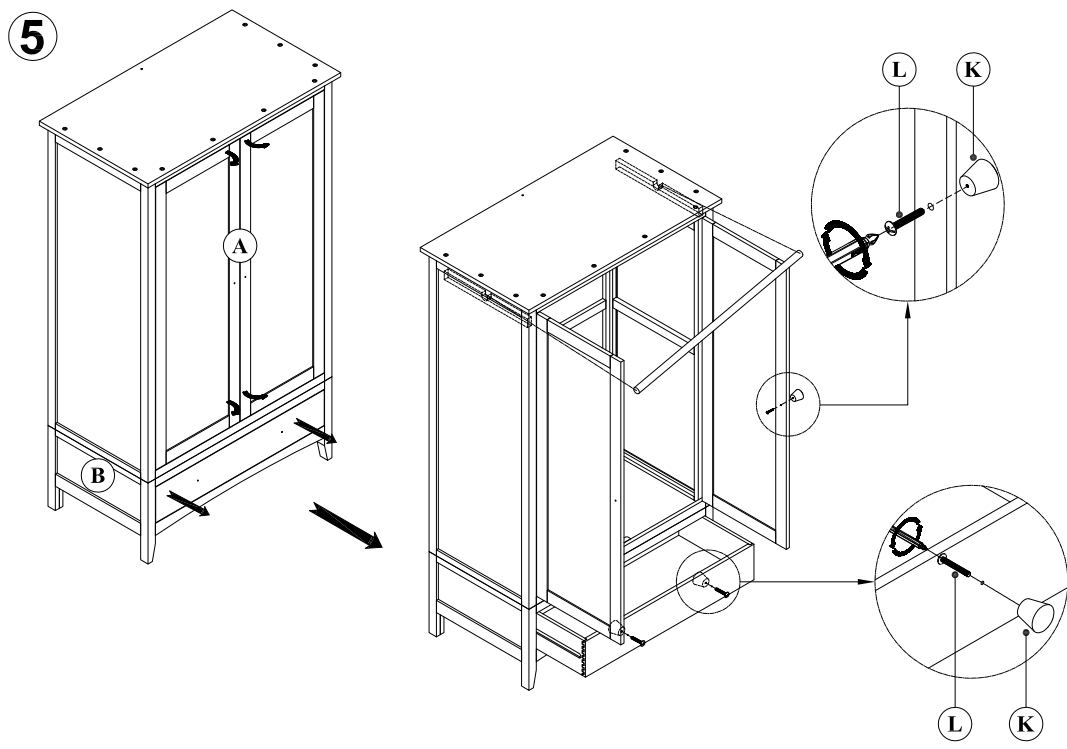
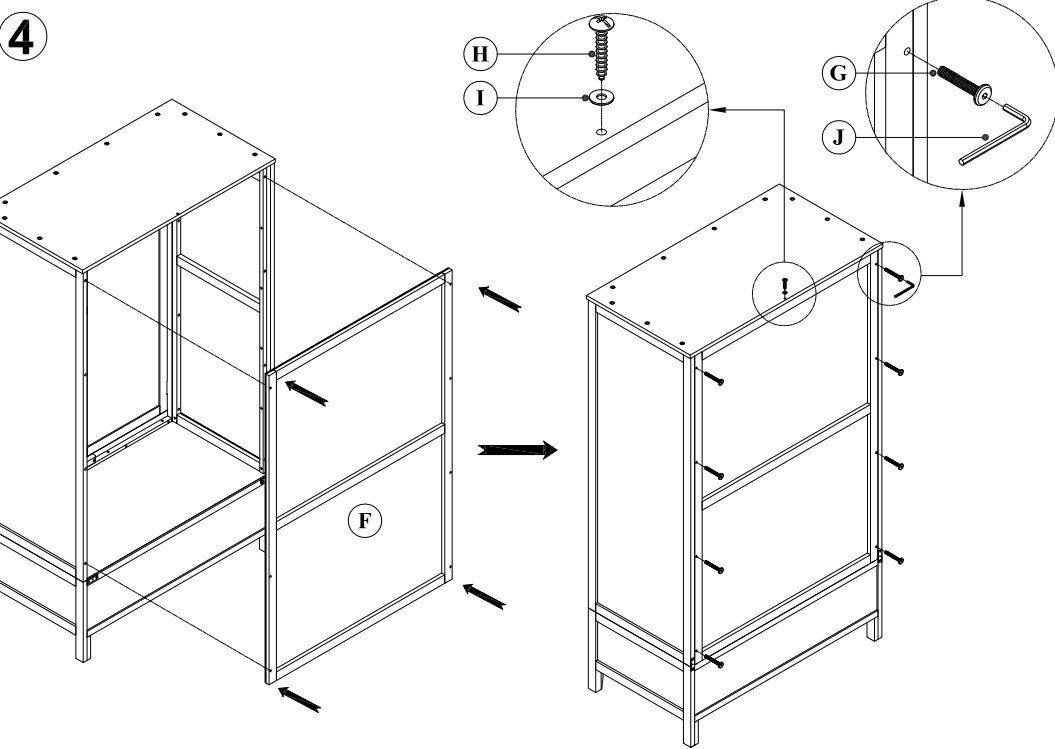
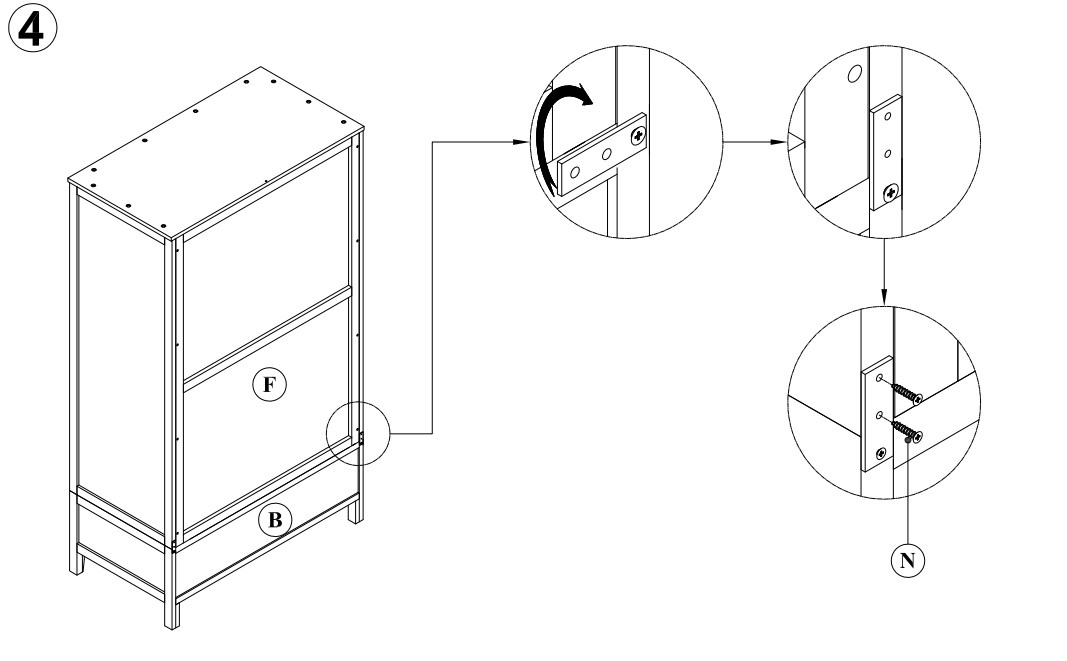
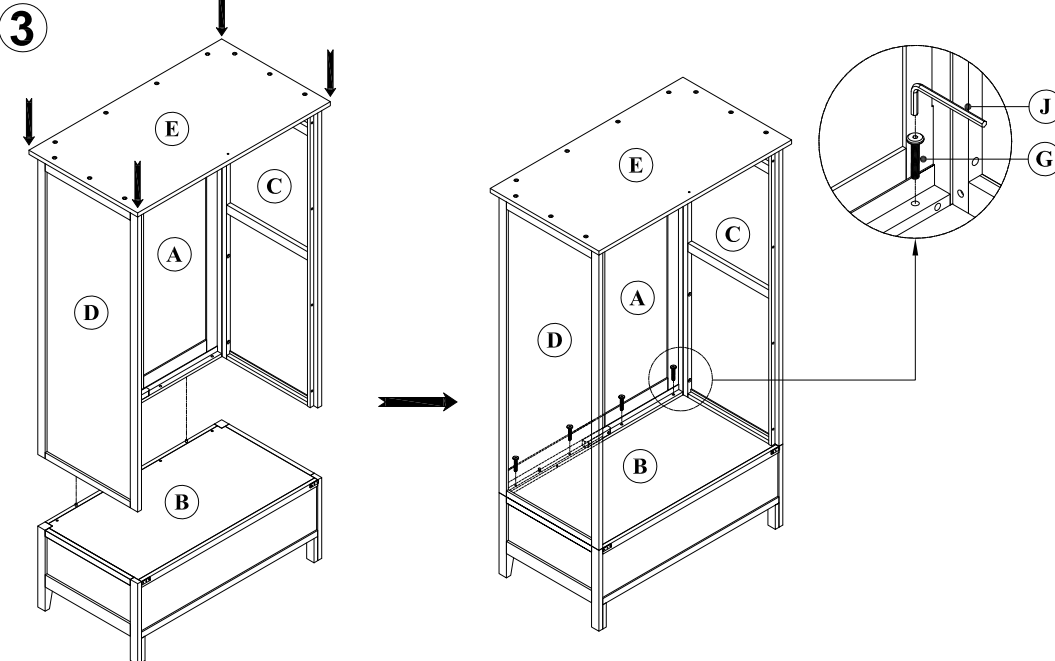
	PARTS	QTY
A		1PC
B		1PC
C		1PC
D		1PC
E		1PC
F		1PC
G		30PCS
	Ø 6 x 35	
H		1PC
	Ø 4 x 35	
I		11PCS
	Ø 6 / Ø16	
J		1PC
	Ø 4	
K		4PCS
L		4PCS
	Ø4x35 mm	
M		2PCS
N		8PCS
	Ø 4 x 20	
O		4PCS

1

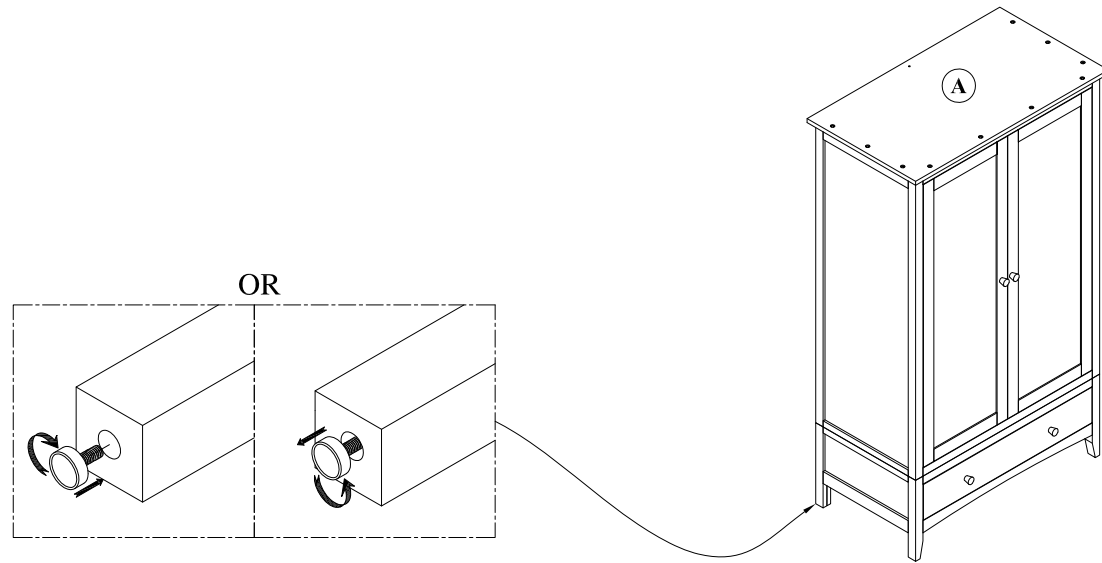


2





6



7

