

Bedrooms by
feather & black

MALVERN Bunk Bed

IMPORTANT READ CAREFULLY – RETAIN FOR FUTURE REFERENCE

Thank you for buying the MALVERN Bunk Bed

- Please take a few quiet minutes to read these instructions
- It is recommended that this product is assembled by two adults
- This product contains small parts, keep small children clear of the assembly area
- Lay out the parts on a clean, flat surface and compare with the parts checklist. Save all packaging until assembly is complete to avoid accidentally discarding fittings

PRODUCT SAFETY

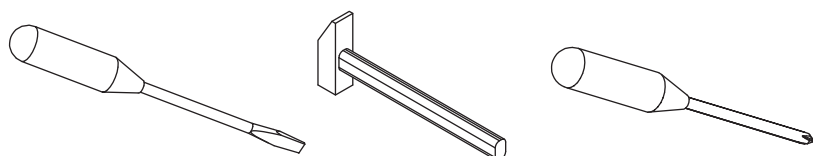
- All assembly fastenings should always be tightened properly and care should be taken that no fittings are loose
- Bunk bed or high bed should not be used if any structural part is broken or missing
- Children can strangle in items such as ropes, strings, cords, harnesses and belts attached to or hung on a bunk bed/high bed
- **WARNING !!!** Children can become trapped between the bed and the wall. To avoid risk of serious injury the distance between the top of safety barrier and the wall shall not exceed 75 mm or shall be more than 230 mm
- **WARNING !!!** High beds and upper bed of bunk beds are not suitable for children under six years due to the risk of injury from falls
- Maximum thickness of the mattress **220 mm**


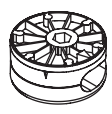
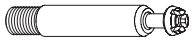
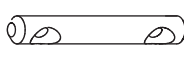


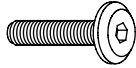

(EN 747 - 1 : 2012)




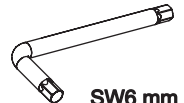
PRODUCT CARE

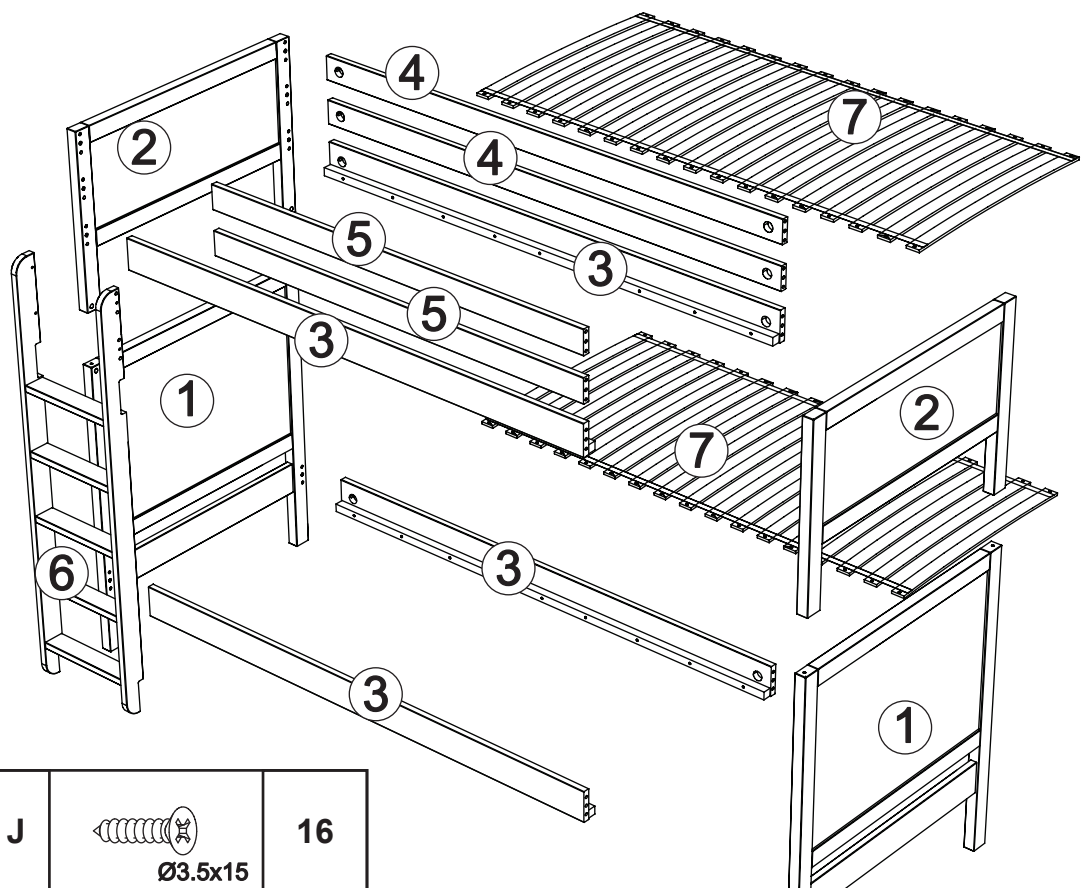
- Wipe clean using a soft damp cloth followed by dry cloth
- Do not use abrasives or cleaning products which may contain ammonia or solvents
- Take care when handling or moving the furniture. Careless handling can damage wooden furniture, try to lift rather than drag
- Colour may vary due to this being a natural product

TOOLS REQUIRED

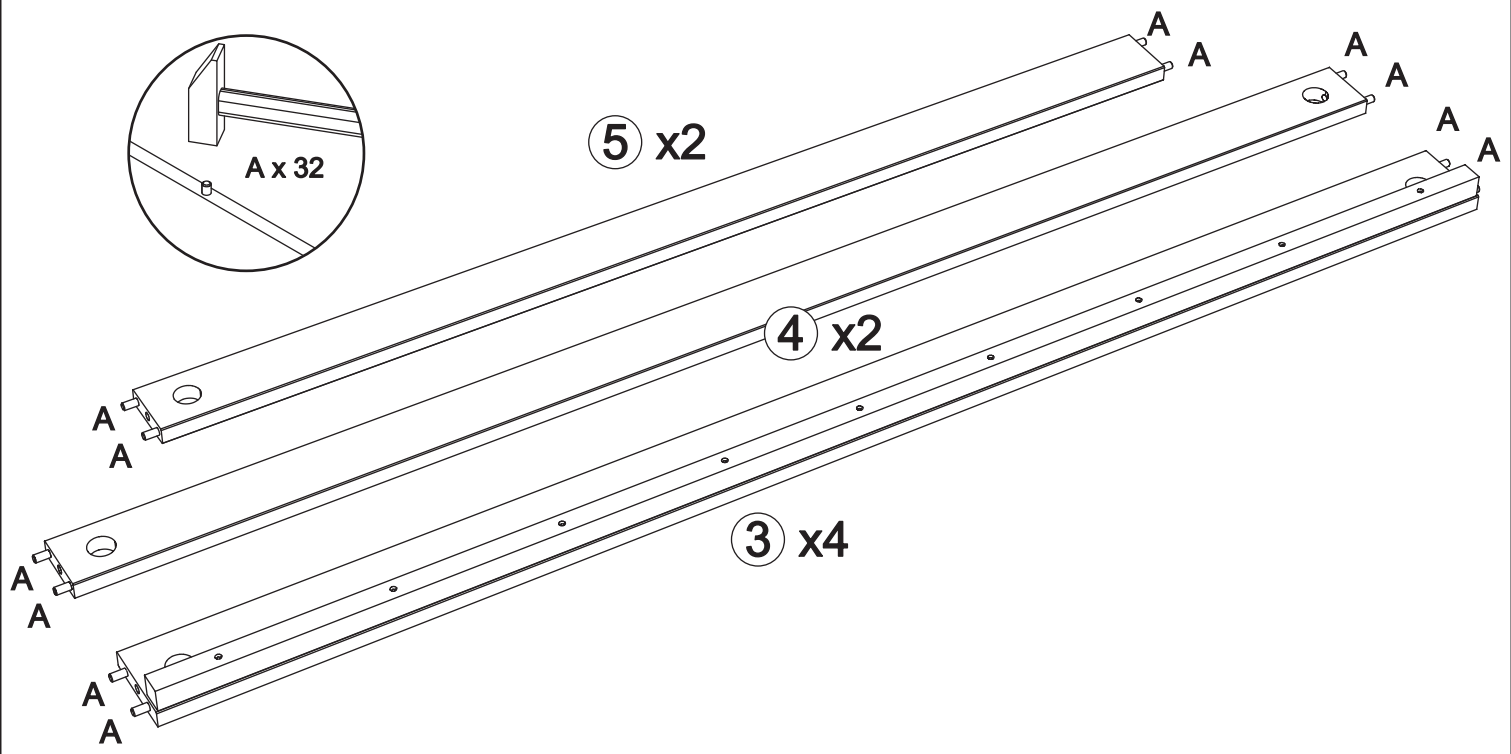
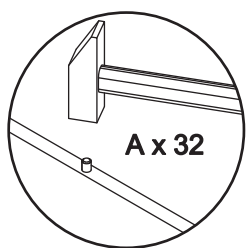


	PARTS	QTY
A	 Ø10x40 mm	32
B		14
C	 M6x55 mm	14
D	 Ø8x60 mm	4
E	 Ø14/M8x15 mm	8
F	 M8	8
G	 M6x35 mm	4
H		4

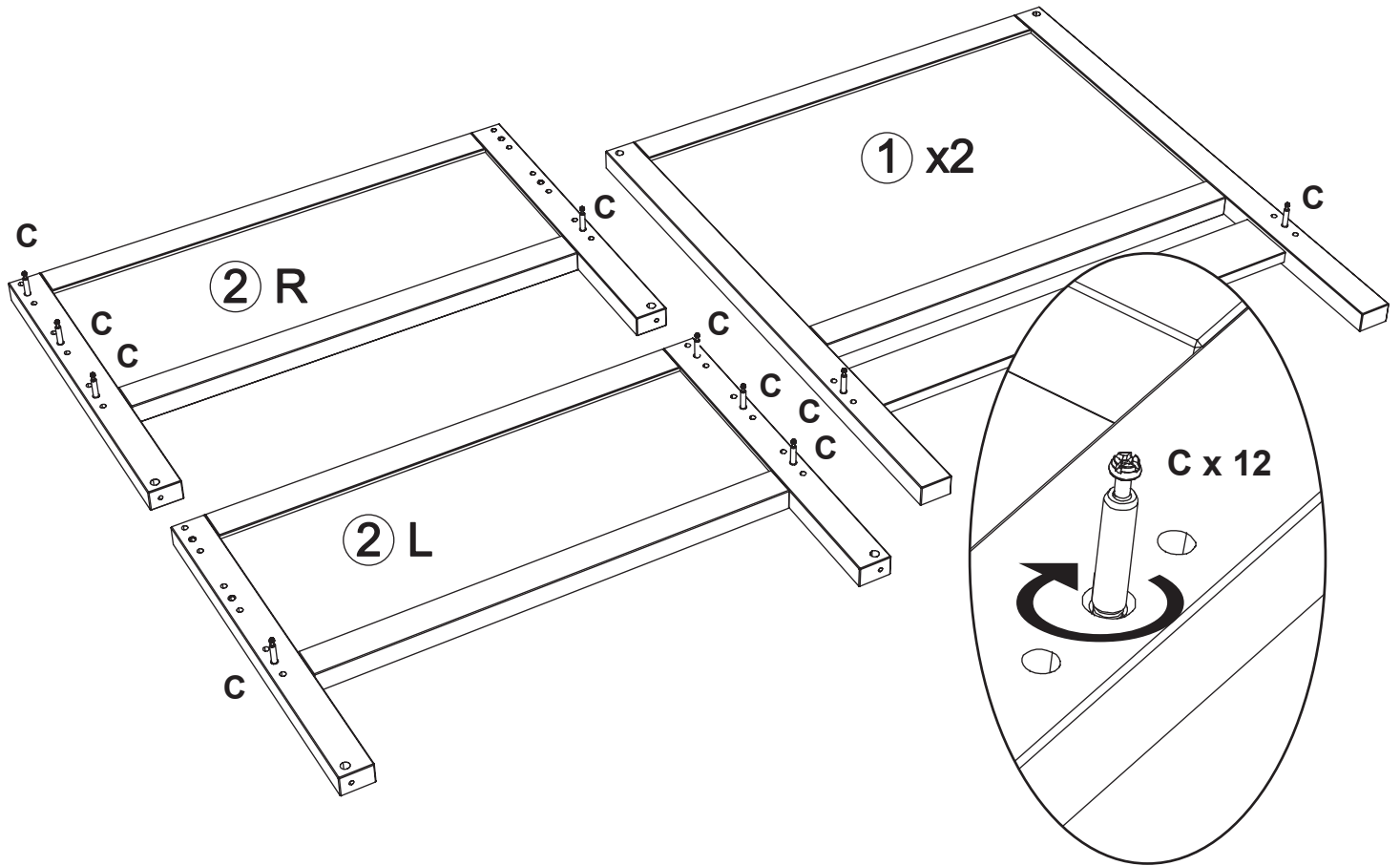
J	 Ø3.5x15	16
K	 Ø3x30	68
L	 SW4 mm	1
M	 SW6 mm	1



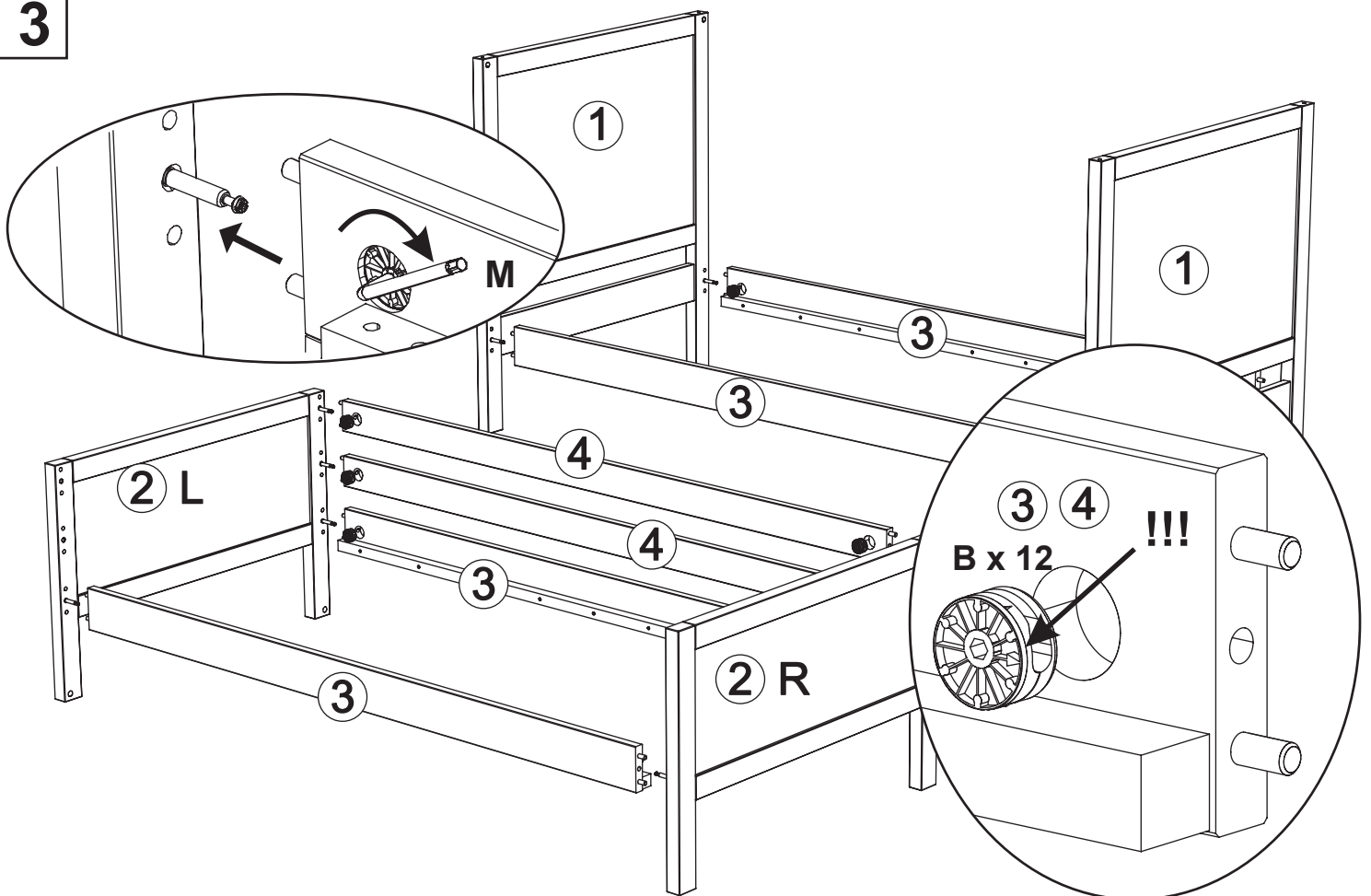
1



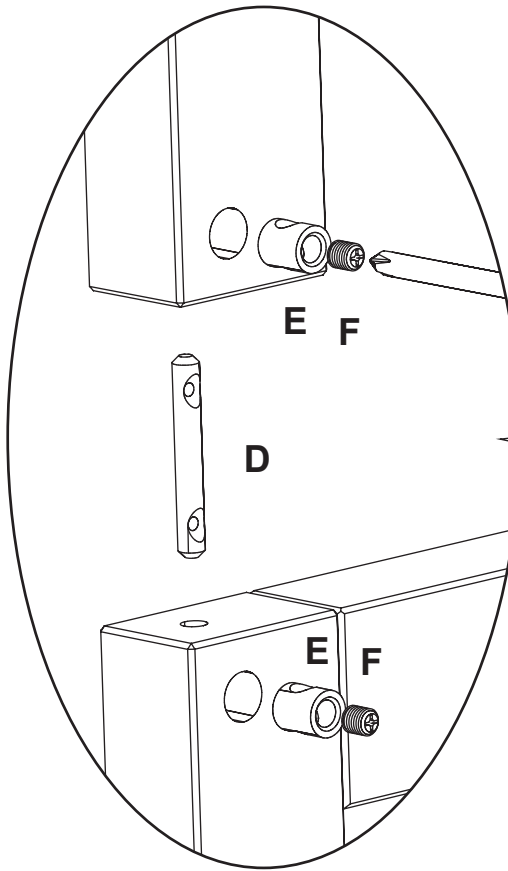
2



3



4

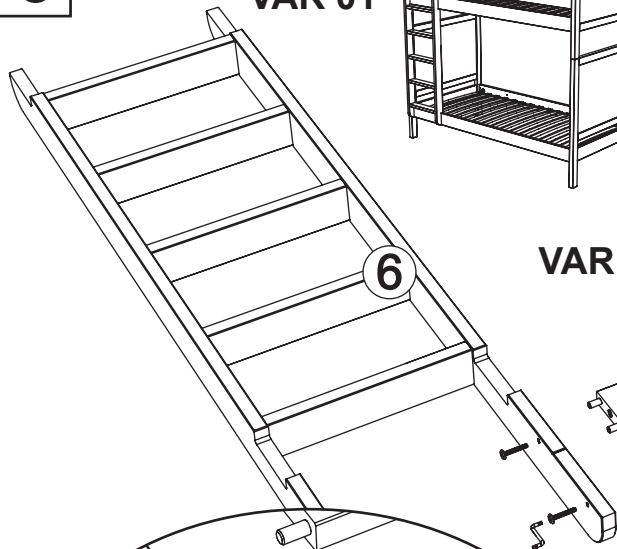
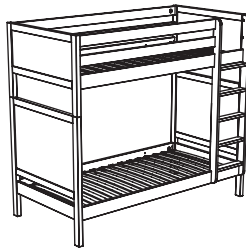


5

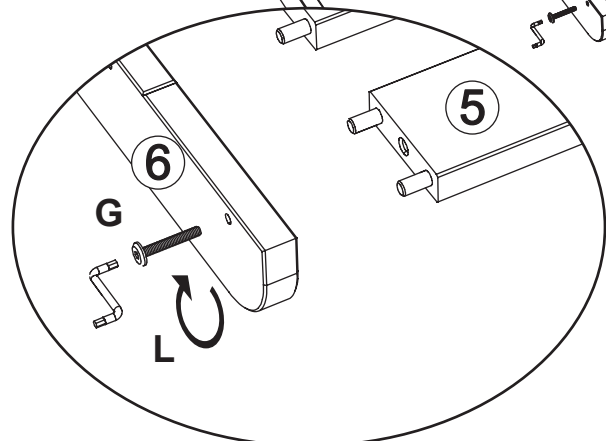
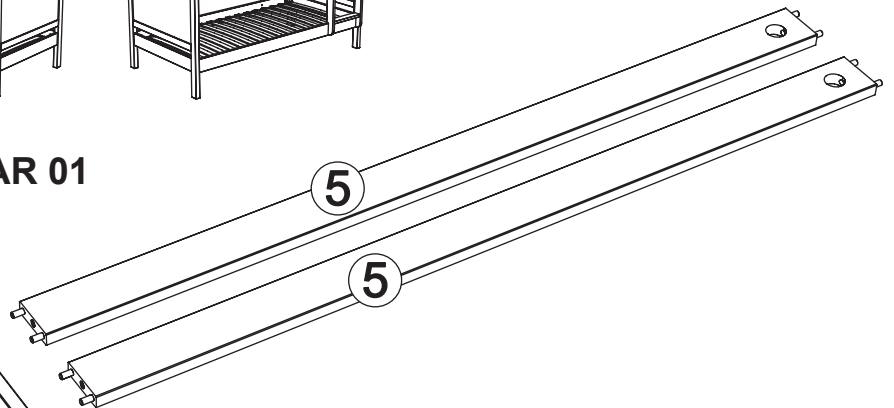
VAR 01



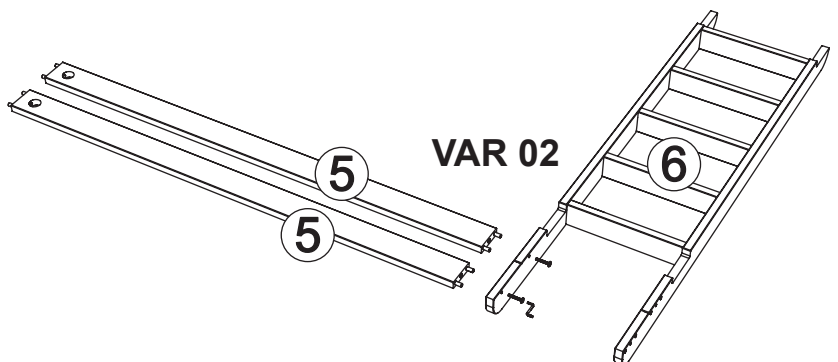
VAR 02



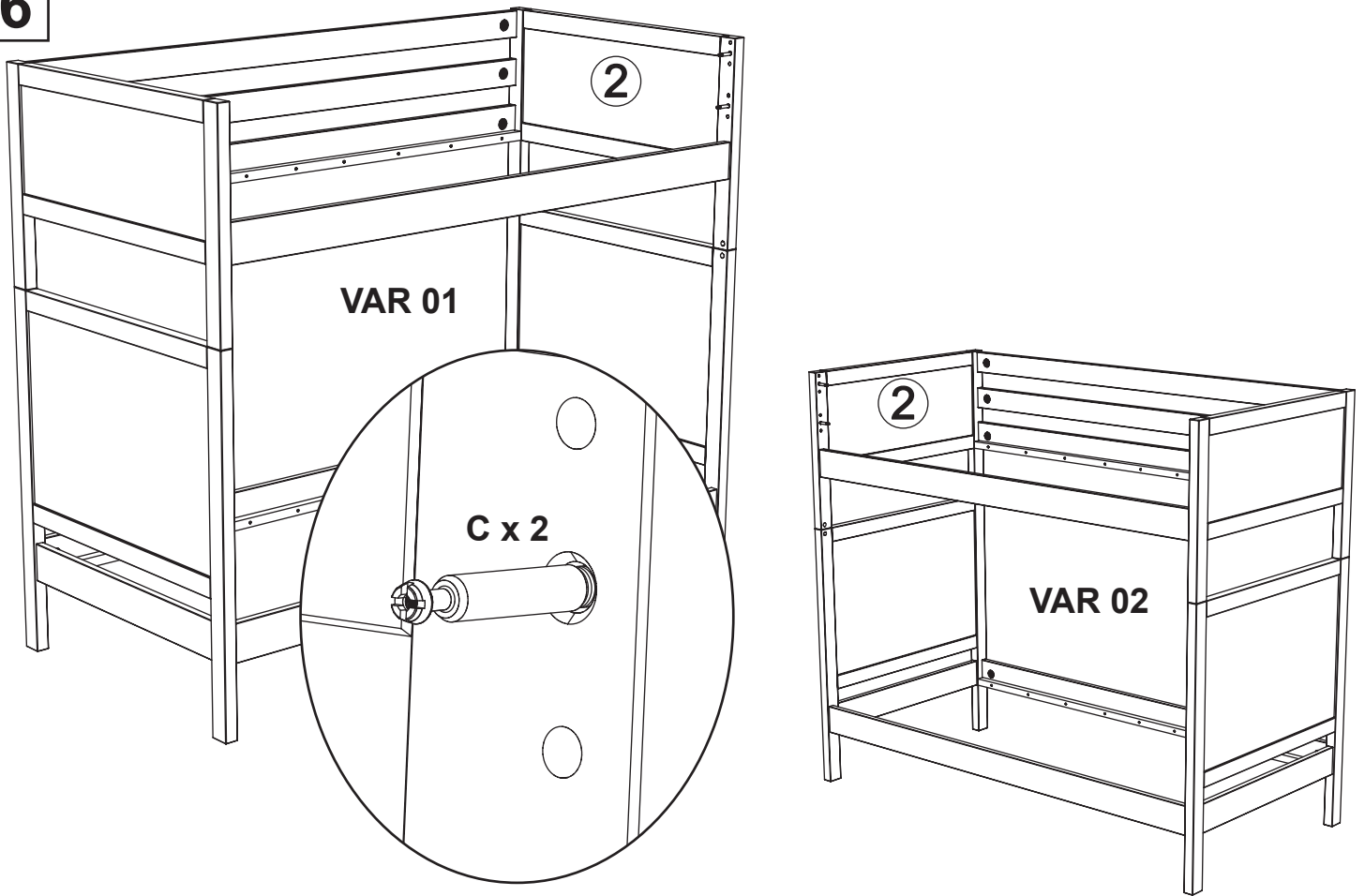
VAR 01



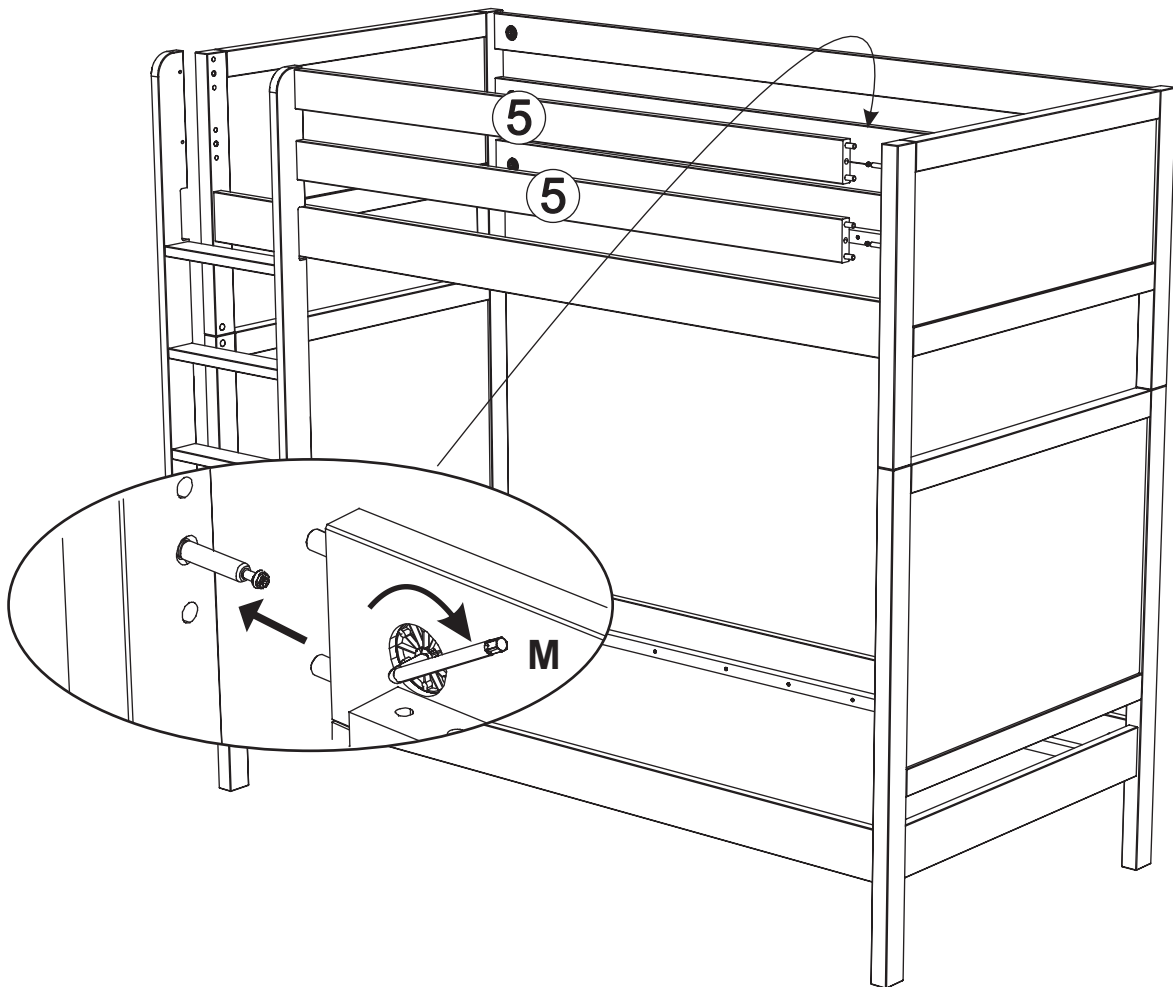
VAR 02



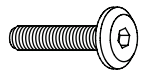
6



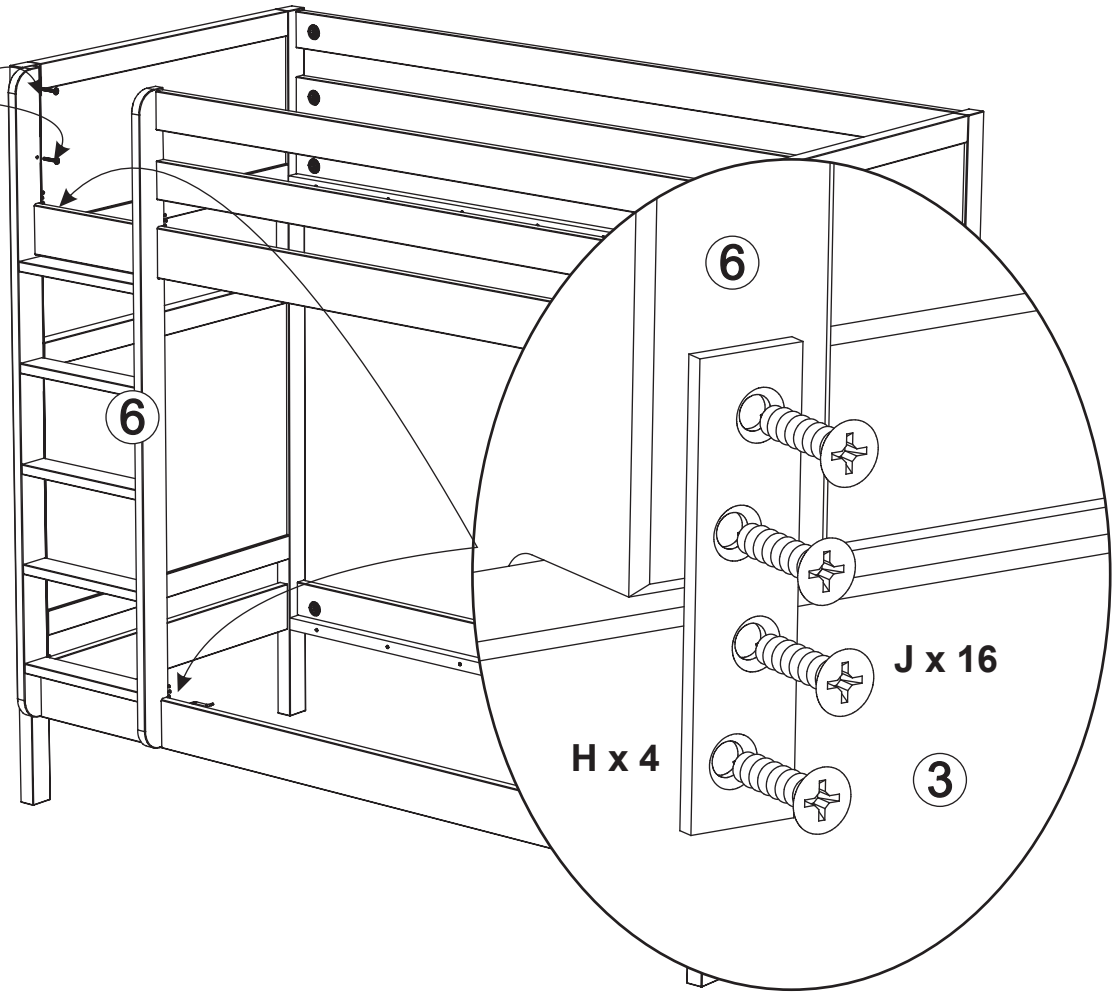
7



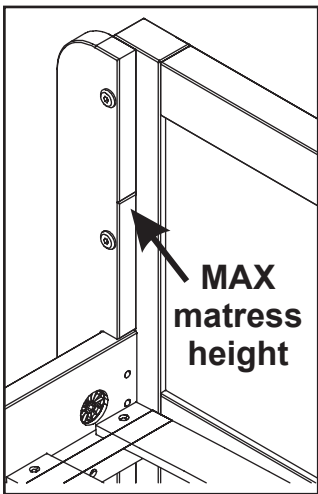
8



G x 2

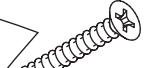
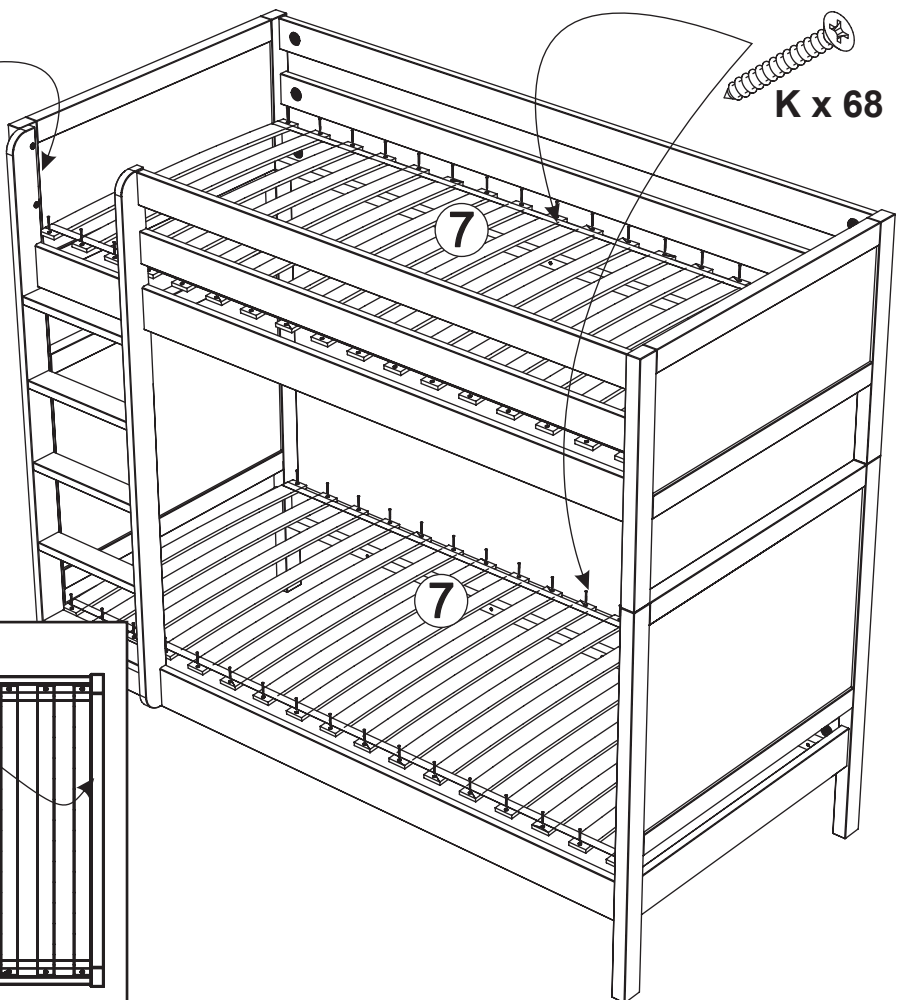


9

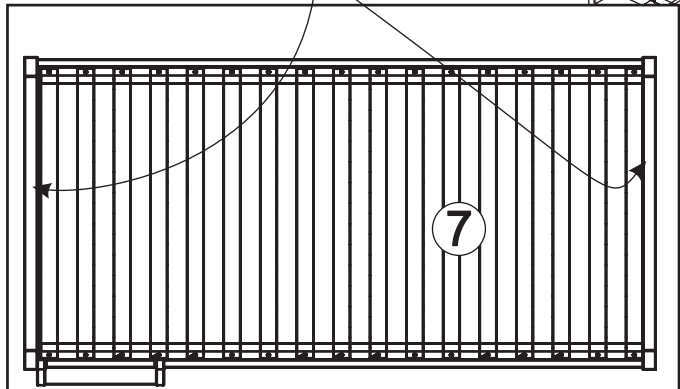


MAX
mattress
height

14 mm



K x 68



7