

feather & black

Mala Bedstead King - 10JAV5000

IMPORTANT READ CAREFULLY - RETAIN FOR FUTURE REFERENCE

Thank you for buying the Mala Bedstead King - 10JAV5000

- Please take a few minutes to read through these instructions before attempting to build this product.
- It is recommended that this product is assembled by two adults
- This product contains small parts, keep small children clear of the assembly area

PRODUCT SAFETY

- All assembly fastenings should always be tightened properly and care should be taken that no fittings are loose
- Periodically check and ensure that all components are in their proper position, free from damage, and that all connectors are tight

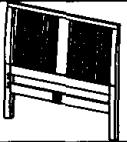













PRODUCT CARE

- Wipe clean using a soft damp cloth followed by dry cloth
- Do not use abrasives or cleaning products which may contain ammonia or solvents
- Take care when handling or moving the furniture. Careless handling can damage wooden furniture, try to lift rather than drag

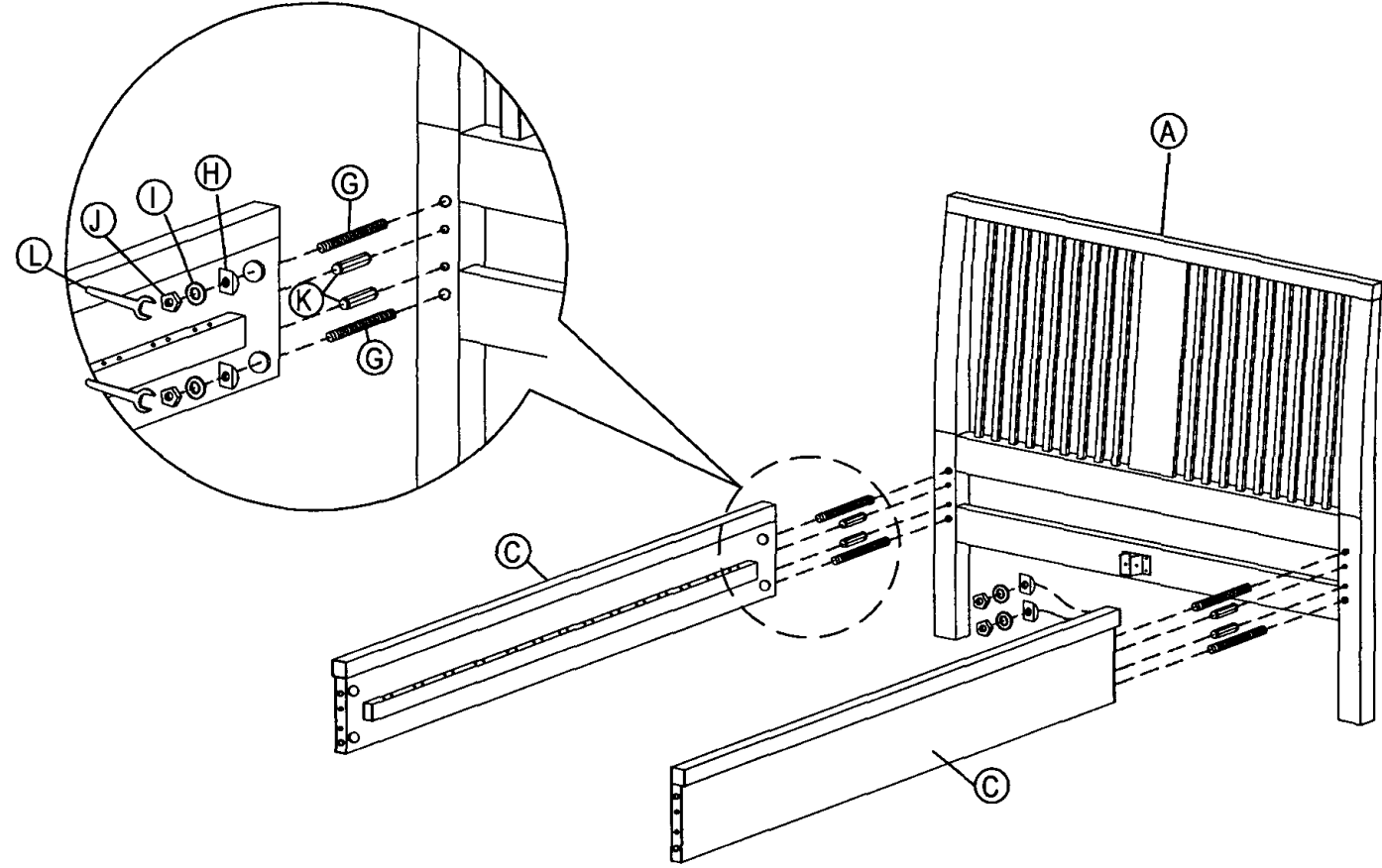
TOOLS REQUIRED:

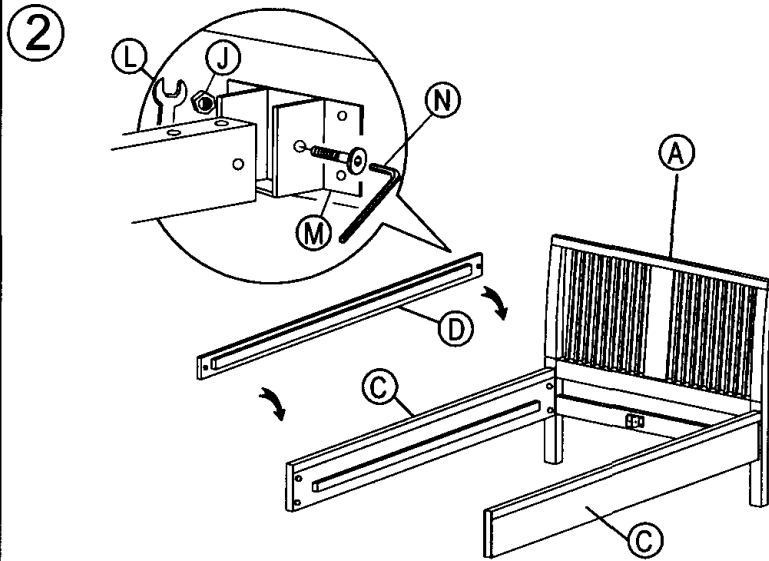
- Please use Spanner (included) and Allen Key to assemble the Mala Bedstead King



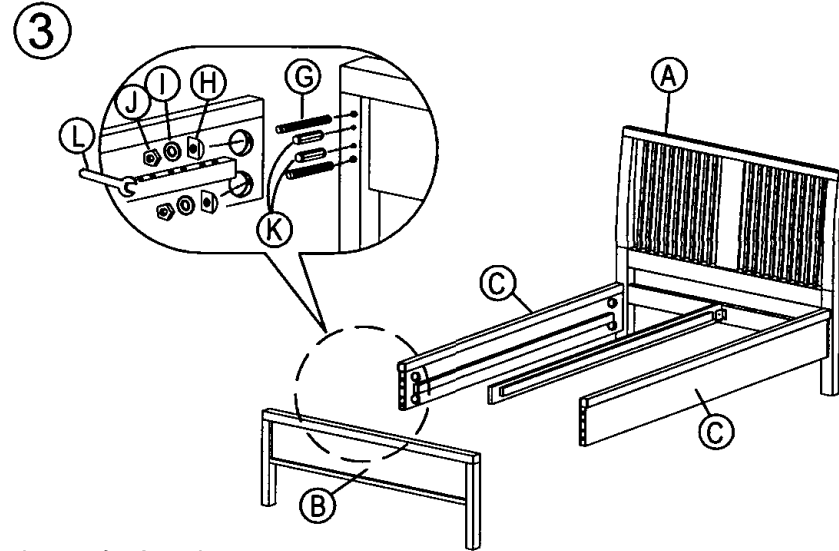
	PARTS	QTY
A		1 PC
B		1 PC
C		2 PCS
D		1 PC
E	 9 X 63 X 746MM	32 PCS
F		64 PCS
G	 M6 X 80MM	8 PCS
H	 6.5 X 15 X 5.8MM	8 PCS
I	 M6 x 13mm	8 PCS
J	 M6	10 PCS
K	 M10 X 30MM	8 PCS
L	 1704	1 PC
M	 M6 X 40MM	2 PCS
N	 ALLEN KEY M4	1 PC

①





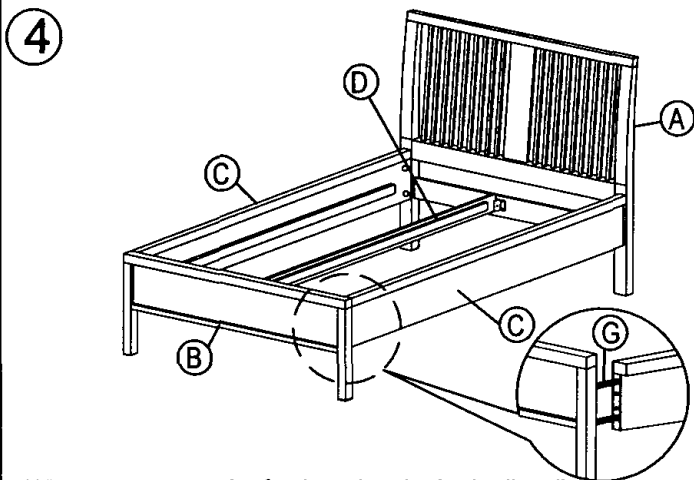
First, fastened centre rail to headboard.



Secure footboard to bed side rail.

Important notes -

Do not tighten the nuts(J) until the bed center rail is assembled to the bed.



When assembling the footboard to the bed rails, allow some spacing for assembling the center rail. Tighten all nuts(J) after assembling the center rail to the bed.

