

feather & black

# Mala Dressing Table Mirror - 10JAV1600

**IMPORTANT READ CAREFULLY - RETAIN FOR FUTURE REFERENCE**

**Thank you for buying the Mala Dressing Table Mirror - 10JAV1600**

- Please take a few minutes to read through these instructions before attempting to build this product.
- It is recommended that this product is assembled by two adults
- This product contains small parts, keep small children clear of the assembly area

## **PRODUCT SAFETY**

- All assembly fastenings should always be tightened properly and care should be taken that no fittings are loose
- Periodically check and ensure that all components are in their proper position, free from damage, and that all connectors are tight

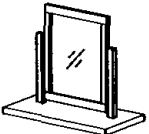
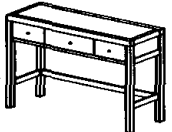


## **PRODUCT CARE**

- Wipe clean using a soft damp cloth followed by dry cloth
- Do not use abrasives or cleaning products which may contain ammonia or solvents
- Take care when handling or moving the furniture. Careless handling can damage wooden furniture, try to lift rather than drag

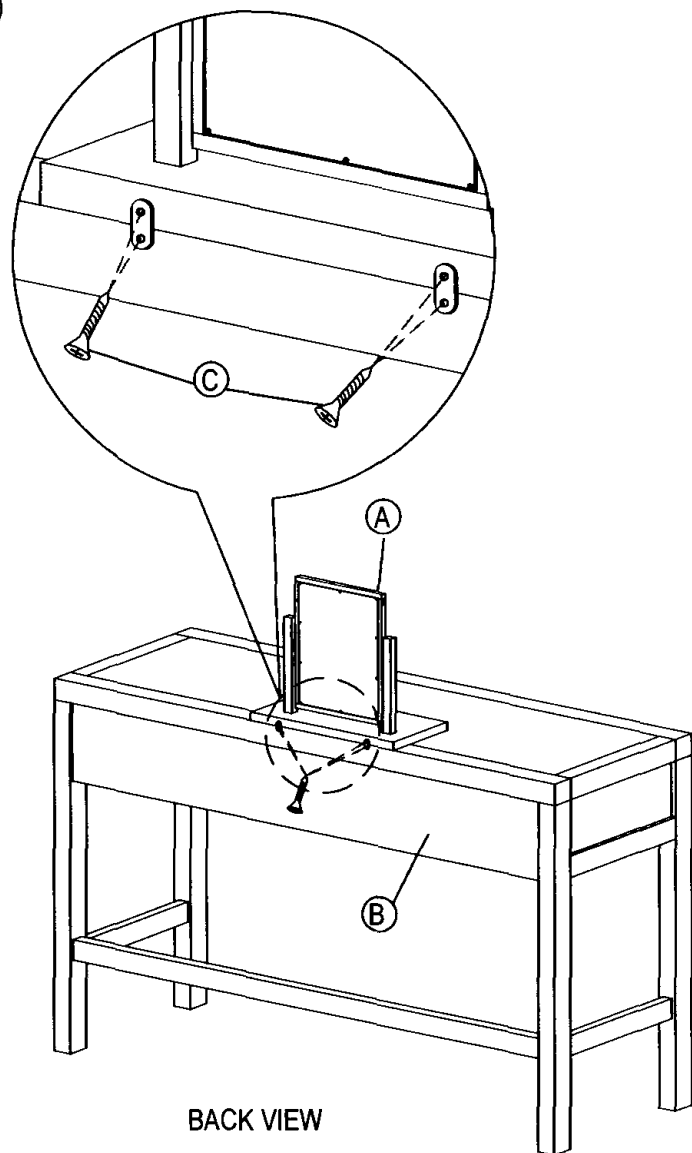
## **TOOLS REQUIRED:**

- Please use Philips Head Screwdriver (not included) to assemble the Mala Dressing Table Mirror



	PARTS	Q'TY
A		1 PC
B		1 PC
C	 M3.5 X 16MM	4 PCS
D	 METAL PLATE	2 PCS

①



②

