

# feather & black

## Mala Dressing Table - 10JAV1200

**IMPORTANT READ CAREFULLY - RETAIN FOR FUTURE REFERENCE**

Thank you for buying the Mala Dressing Table - 10JAV1200

- Please take a few minutes to read through these instructions before attempting to build this product.
- It is recommended that this product is assembled by two adults
- This product contains small parts, keep small children clear of the assembly area

### **PRODUCT SAFETY**

- All assembly fastenings should always be tightened properly and care should be taken that no fittings are loose
- Periodically check and ensure that all components are in their proper position, free from damage, and that all connectors are tight











### **PRODUCT CARE**

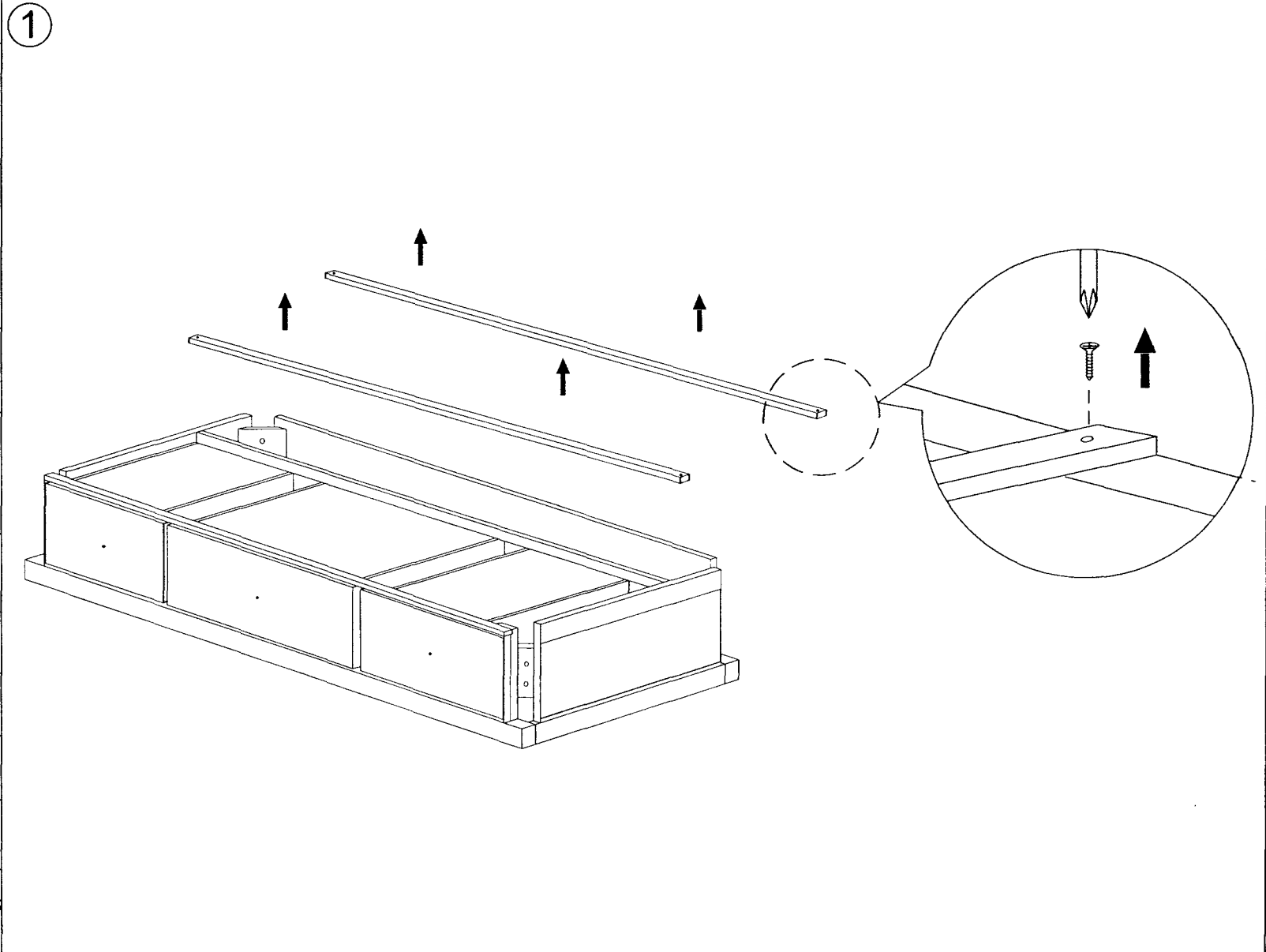
- Wipe clean using a soft damp cloth followed by dry cloth
- Do not use abrasives or cleaning products which may contain ammonia or solvents
- Take care when handling or moving the furniture. Careless handling can damage wooden furniture, try to lift rather than drag

### **TOOLS REQUIRED:**

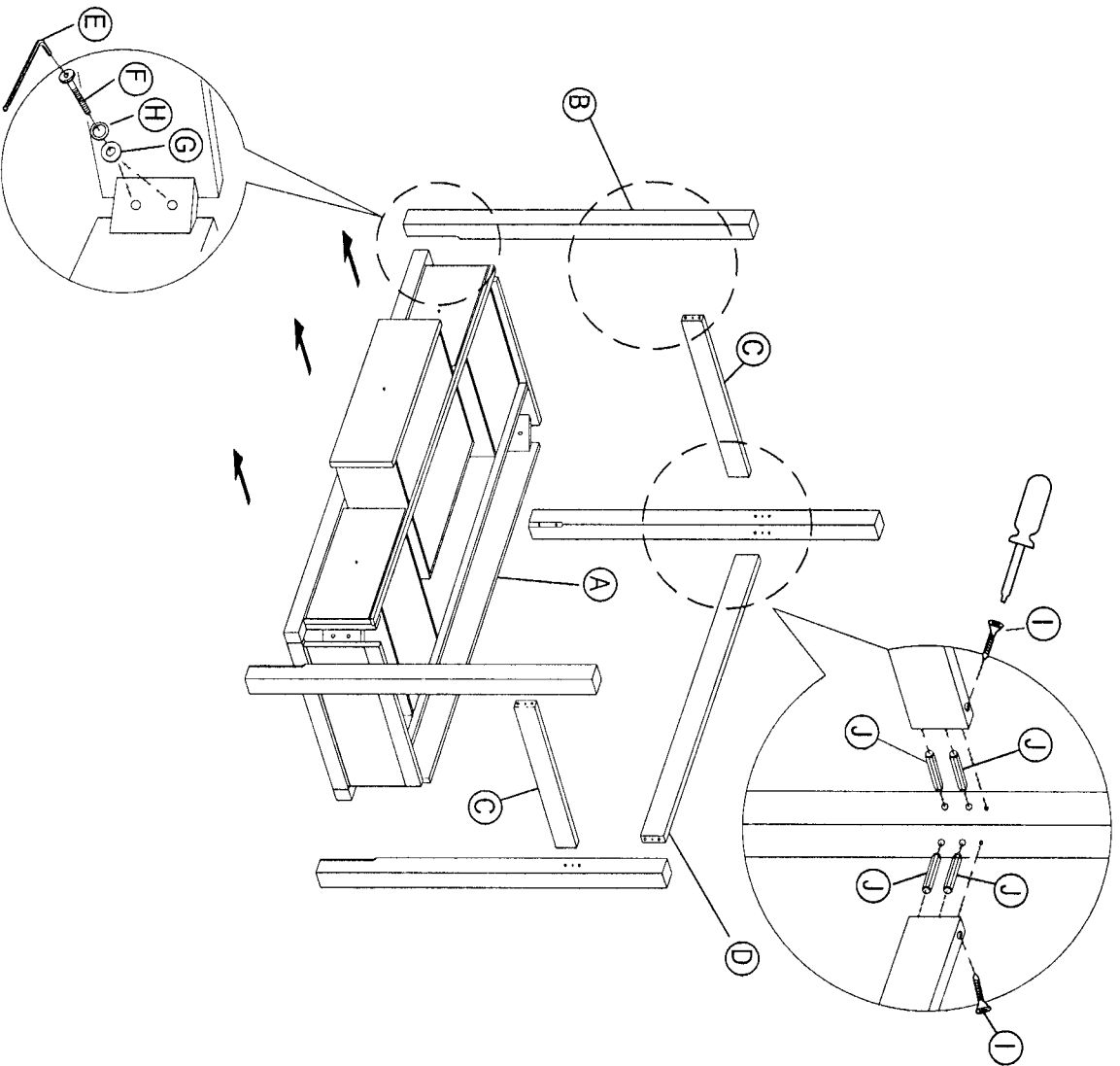
- Please use Philips Head Screwdriver (not included) and Allen Key (included) to assemble the Mala Dressing Table.



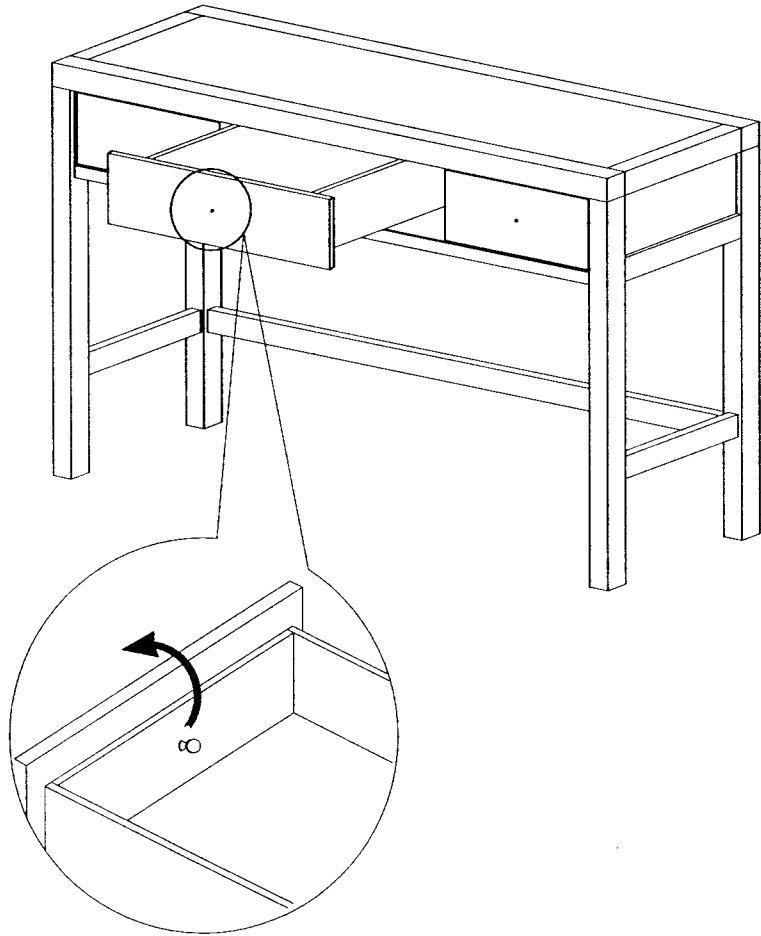
	PARTS	Q'TY
A		1 PC
B		4 PCS
C		2 PCS
D		1 PC
E	 M4	1 PC
F	 M6 X 60MM	8 PCS
G	 5/16" X 18 X 1.2MM	8 PCS
H	 5/16"	8 PCS
I	 M4 X 38MM	6 PCS
J	 M10 X 30MM	12 PCS



2



③



④

