

# feather & black

## Mala 7 Drawer Chest - 10JAV0700

**IMPORTANT READ CAREFULLY - RETAIN FOR FUTURE REFERENCE**

**Thank you for buying the Mala 7 Drawer Chest - 10JAV0700**

- Please take a few minutes to read through these instructions before attempting to build this product.
- It is recommended that this product is assembled by two adults
- This product contains small parts, keep small children clear of the assembly area

### **PRODUCT SAFETY**

- All assembly fastenings should always be tightened properly and care should be taken that no fittings are loose
- Periodically check and ensure that all components are in their proper position, free from damage, and that all connectors are tight





### **PRODUCT CARE**

- Wipe clean using a soft damp cloth followed by dry cloth
- Do not use abrasives or cleaning products which may contain ammonia or solvents
- Take care when handling or moving the furniture. Careless handling can damage wooden furniture, try to lift rather than drag

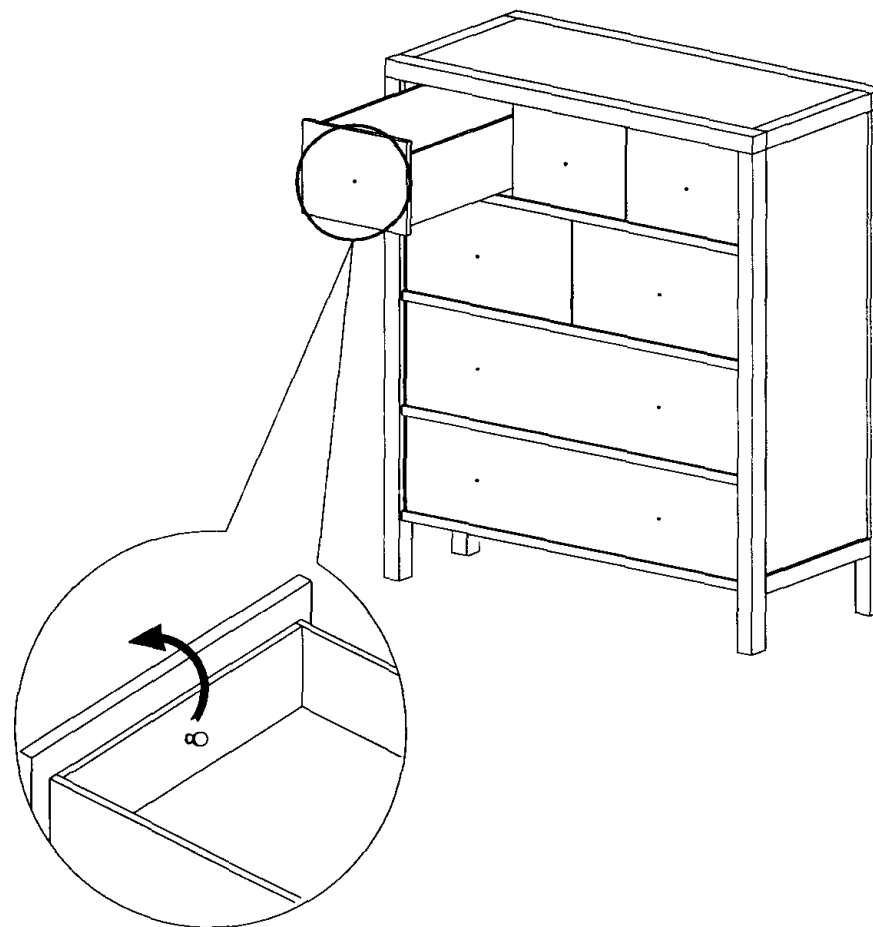
### **TOOLS REQUIRED:**

- Please use Philips Head Screwdriver (not included) to assemble the Mala 7 Drawer Chest

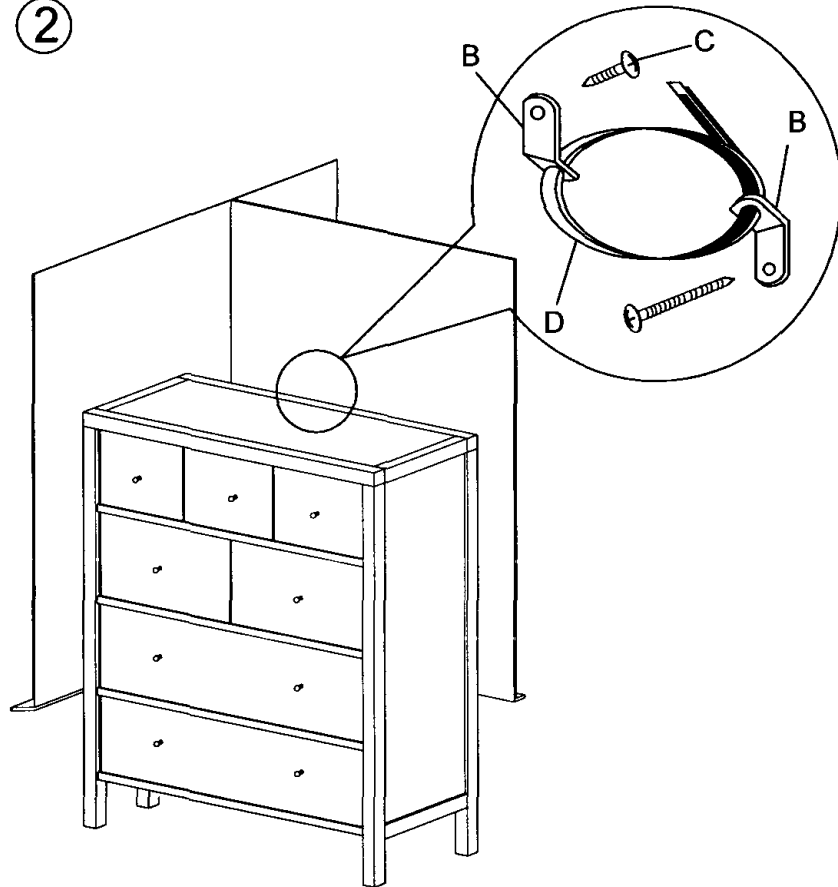


	PARTS	Q'TY
A		1 PC
B	 BRACKET	2 PCS
C	 M4 X 16MM	1 PC
D	 WALL FIXING STRAP	1 PC

①



②



**IMPORTANT:** The screw supplied with the anti topple strap is to be used only for fixing the anti topple strap to the furniture. In addition to this you will need to choose a screw or fitting which is suitable for securing the strap to the kind of wall that you have. If you are unsure about what type of screw to use please contact your local hardware store.

③

