

feather & black

Mala Wardrobe - 10JAV2000

IMPORTANT READ CAREFULLY - RETAIN FOR FUTURE REFERENCE

Thank you for buying the Mala Wardrobe - 10JAV2000

- Please take a few minutes to read through these instructions before attempting to build this product.
- It is recommended that this product is assembled by two adults
- This product contains small parts, keep small children clear of the assembly area

PRODUCT SAFETY

- All assembly fastenings should always be tightened properly and care should be taken that no fittings are loose
- Periodically check and ensure that all components are in their proper position, free from damage, and that all connectors are tight



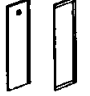



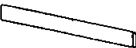







PRODUCT CARE

- Wipe clean using a soft damp cloth followed by dry cloth
- Do not use abrasives or cleaning products which may contain ammonia or solvents
- Take care when handling or moving the furniture. Careless handling can damage wooden furniture, try to lift rather than drag

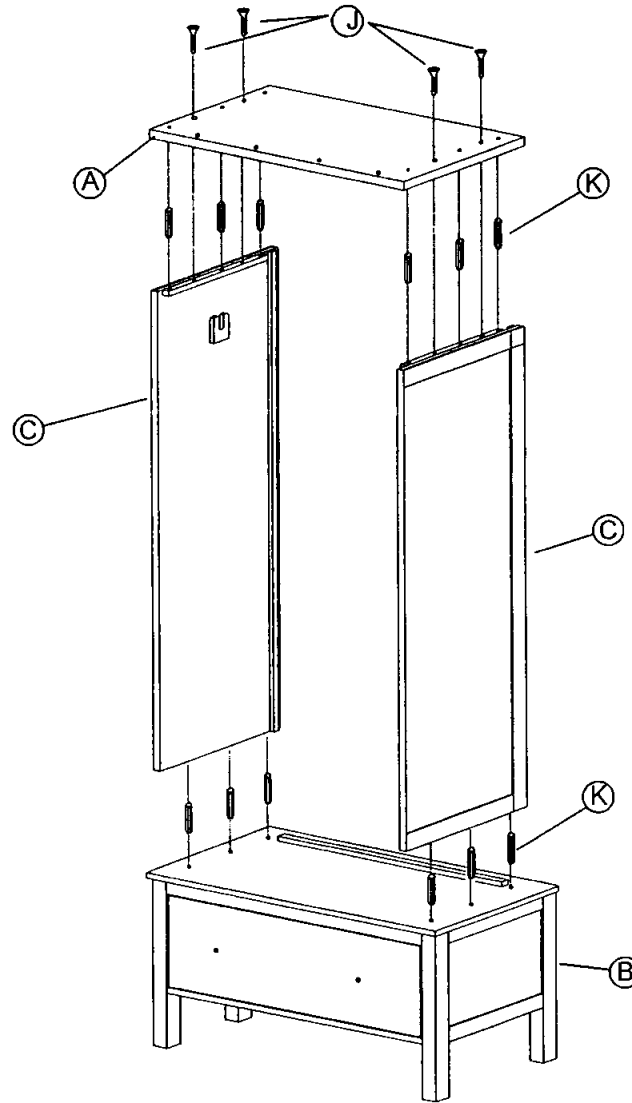
TOOLS REQUIRED:

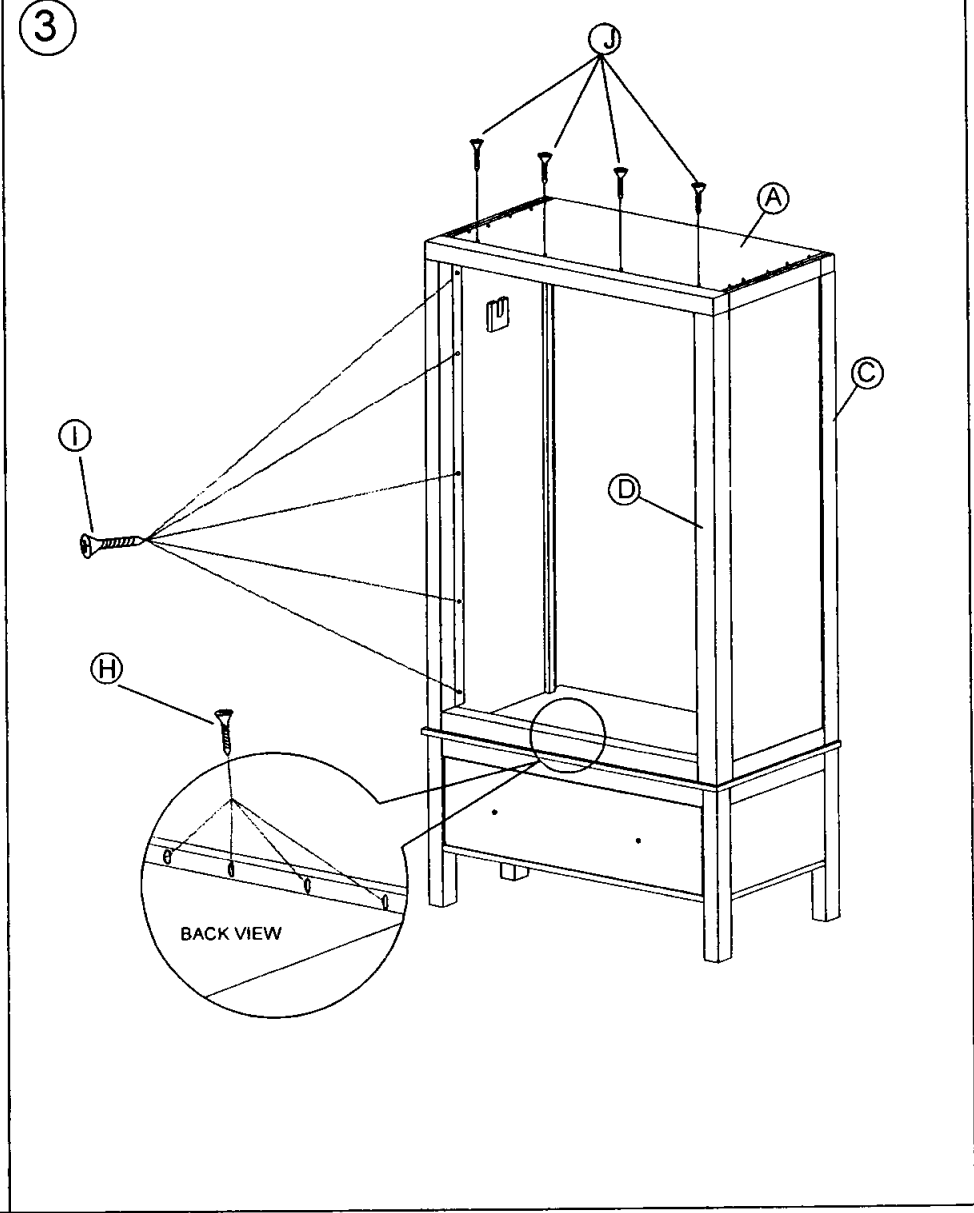
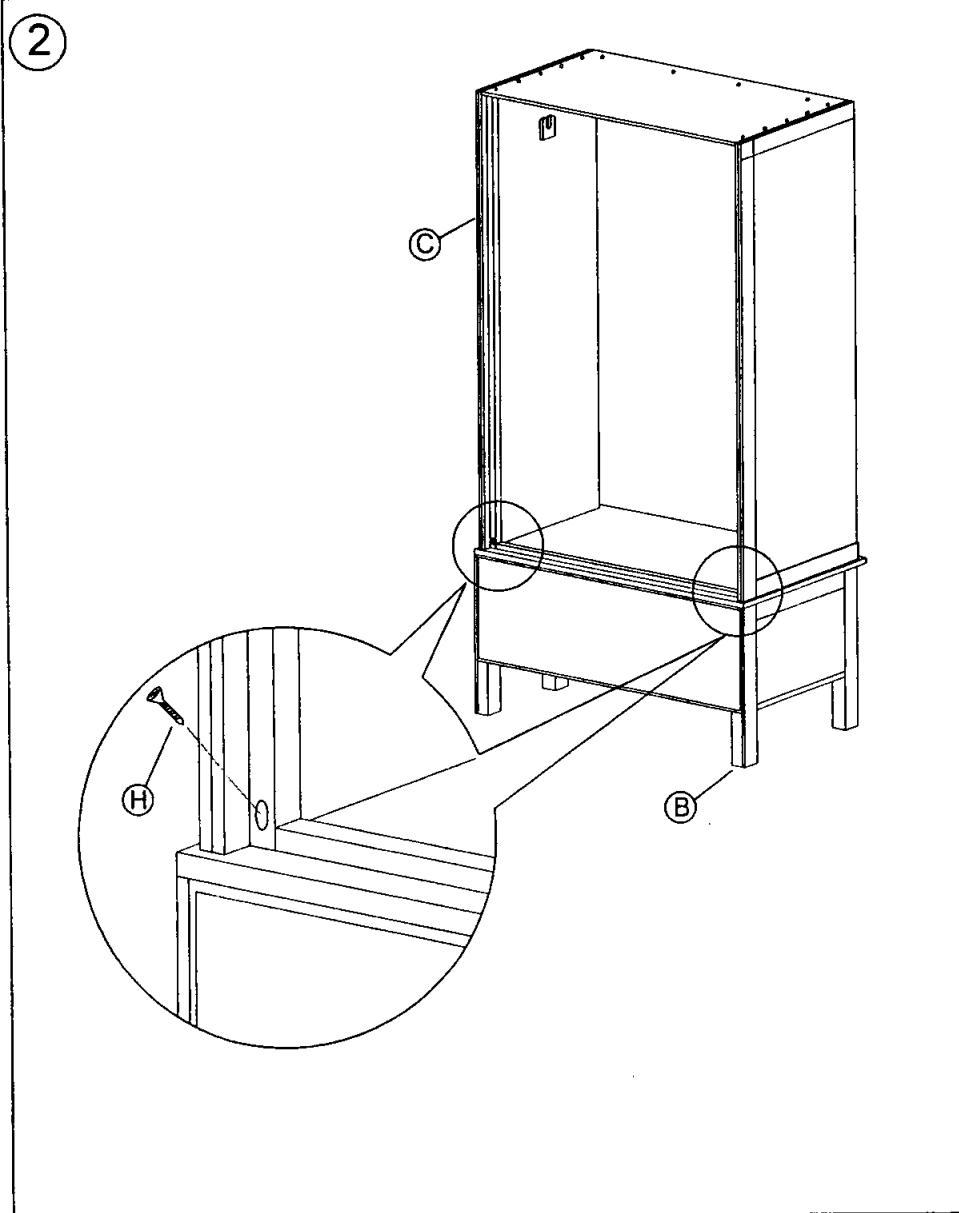
- Please use Philips Head Screwdriver (not included) to assemble the Mala Wardrobe



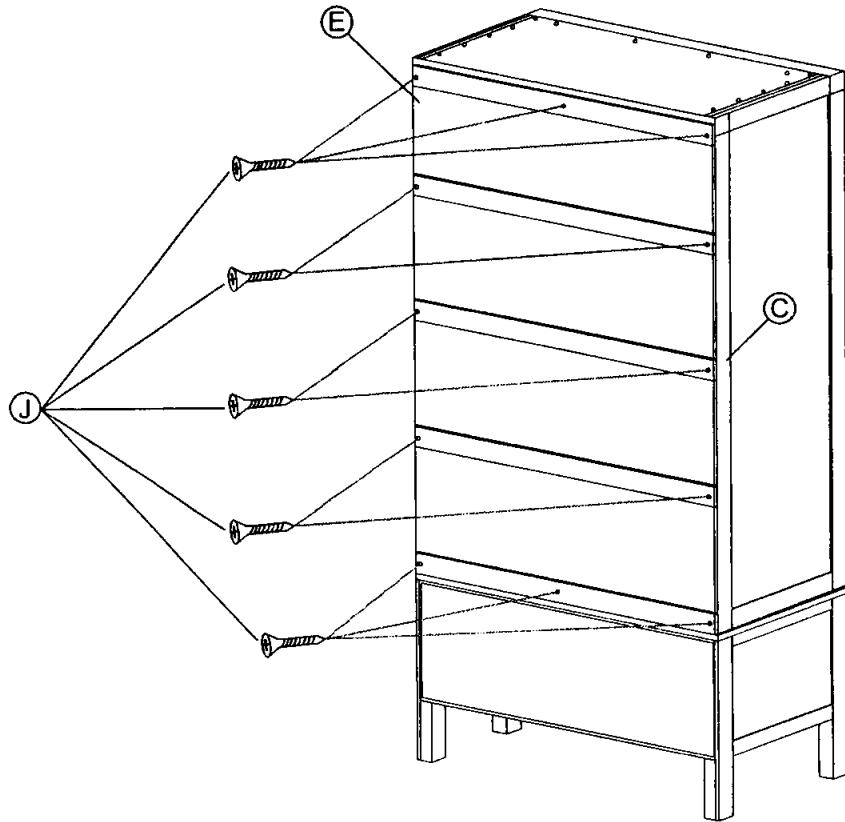
	PARTS	Q'TY
A		1 PC
B		1 PC
C		2 PCS
D		1 PC
E		1 PC
F		2 PCS
G		1 PC
H	 M4 X 32MM	6 PCS
I	 #8 X 1 1/8"	10 PCS
J	 M4 X 25MM	20 PCS
K	 M8 X 30MM	12 PCS
L	 BRACKET	2 PCS
M	 M4 X 16MM	1 PC
N	 WALL FIXING STRAP	1 PC

①

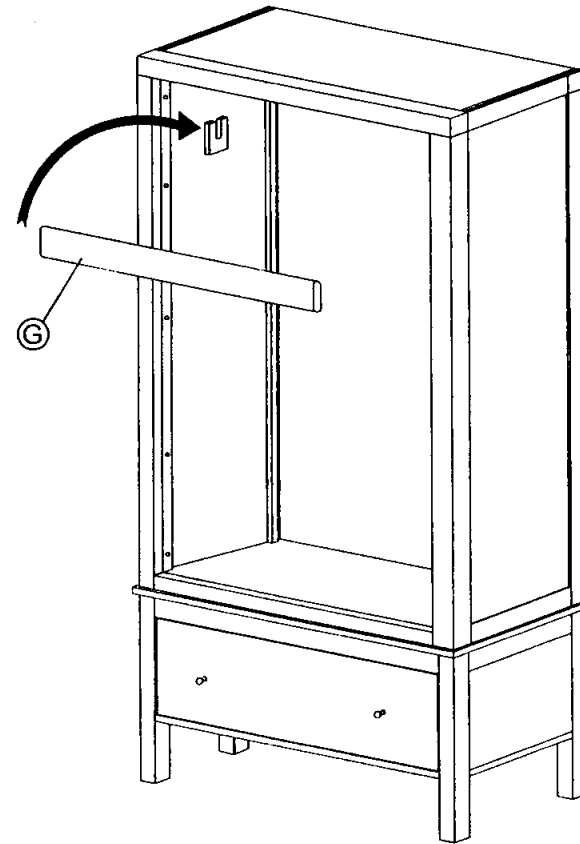




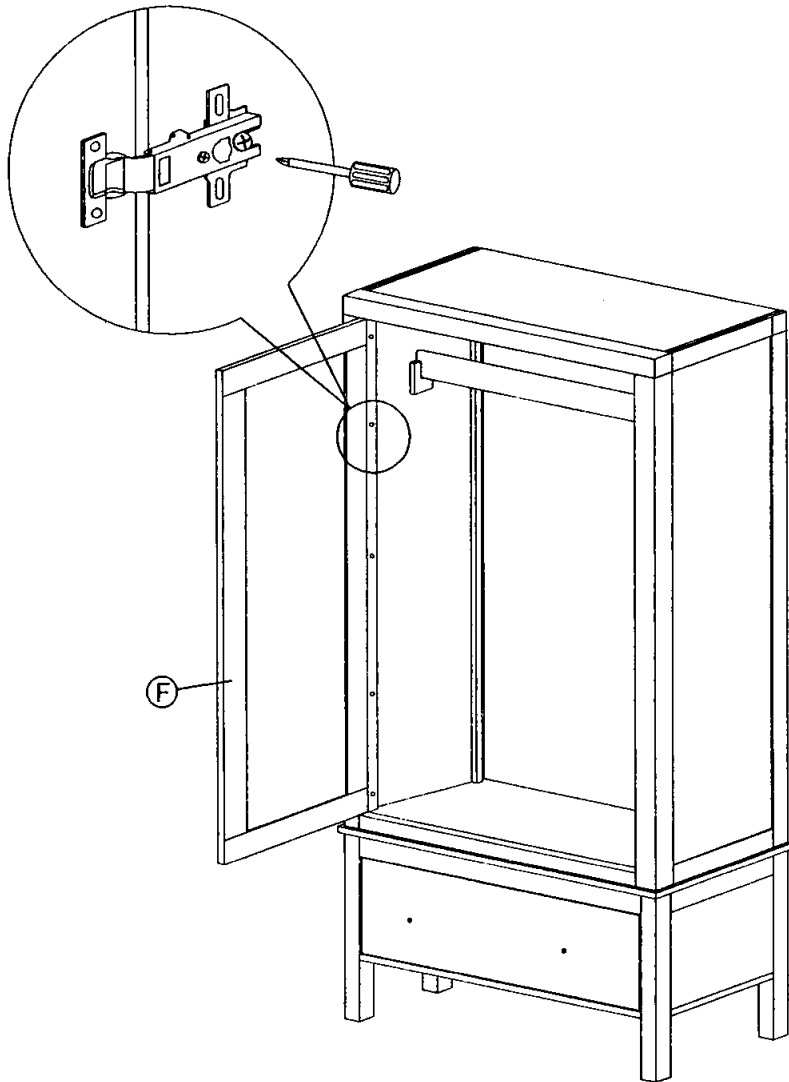
4



5



6



7

