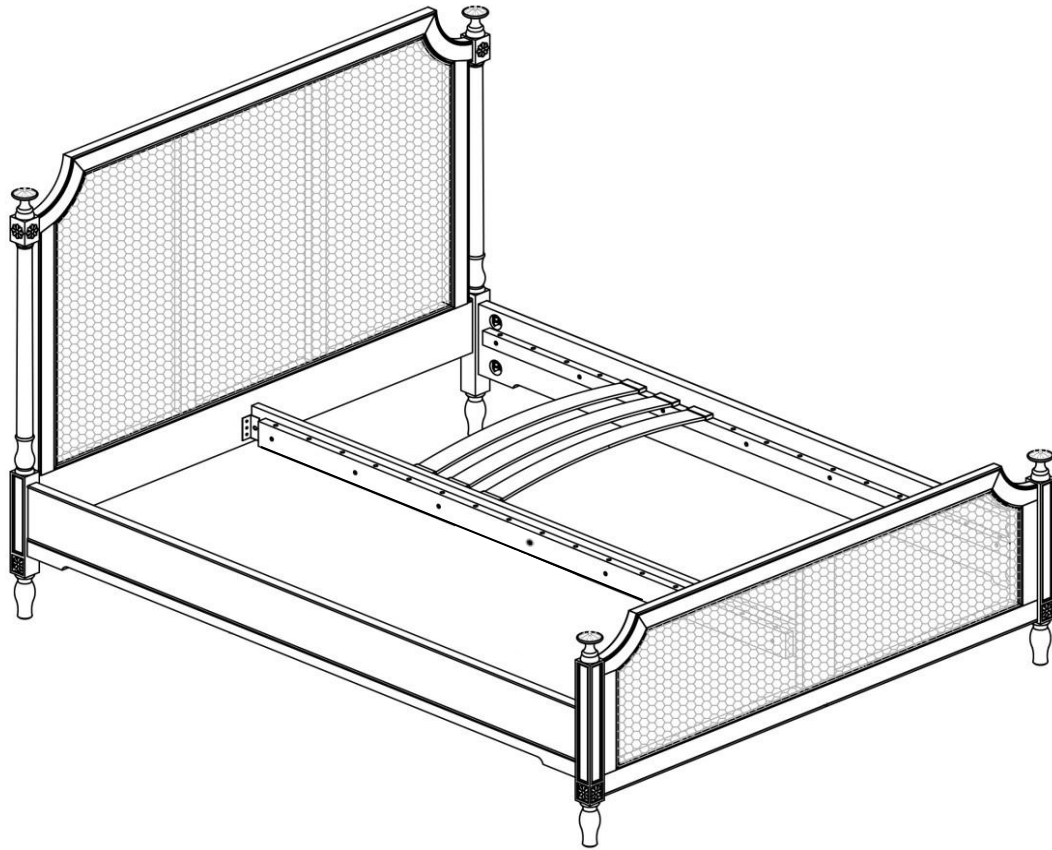
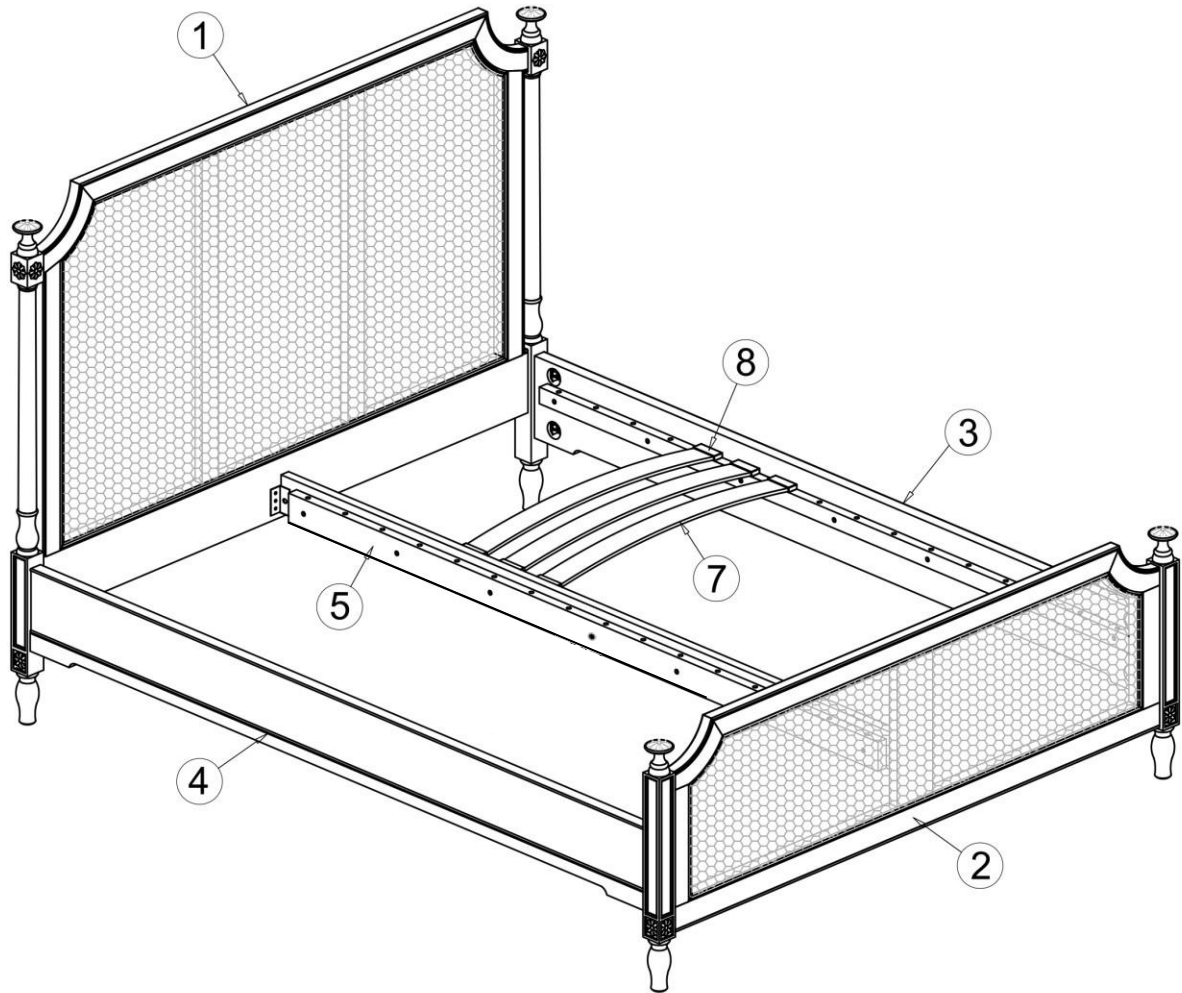

Bedrooms by
feather & black
Lille Collection
135cm Bedstead
150cm Bedstead
180cm Bedstead



Step By Step Assembly Instructions

PRE-ASSEMBLY PREPARATION

1. Please check the pack contents before attempting to assemble this product. A full checklist of components is given in this leaflet. If any components are missing, please contact the retailer from whom you bought this product.
2. This product is **HEAVY**, it should be assembled as near as possible to the point of use. **TAKE CARE WHEN LIFTING** to avoid personal injury and (or) damage to the product.
3. This product require **2 PEOPLE** to assemble with.
4. The fittings pack contains **SMALL ITEMS** which should be **KEPT AWAY FROM YOUNG CHILDREN**.
5. Read this leaflet in full before commencing assembly.
6. You will require an open ended spanner (Provided) and a 11mm spanner (Not provided) to assemble this product.

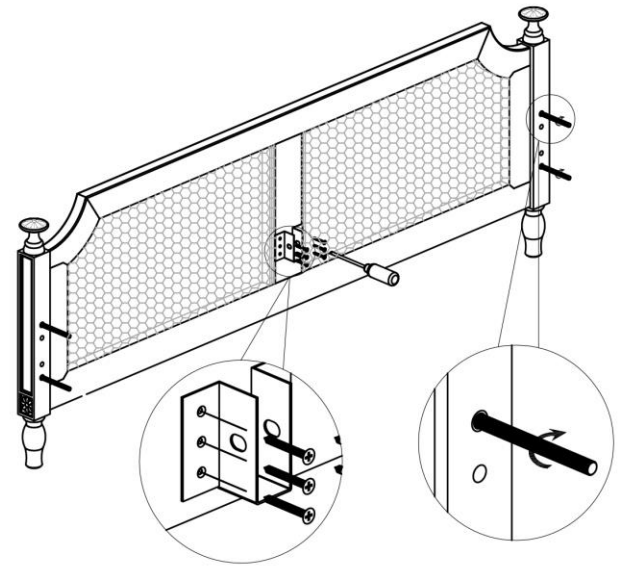
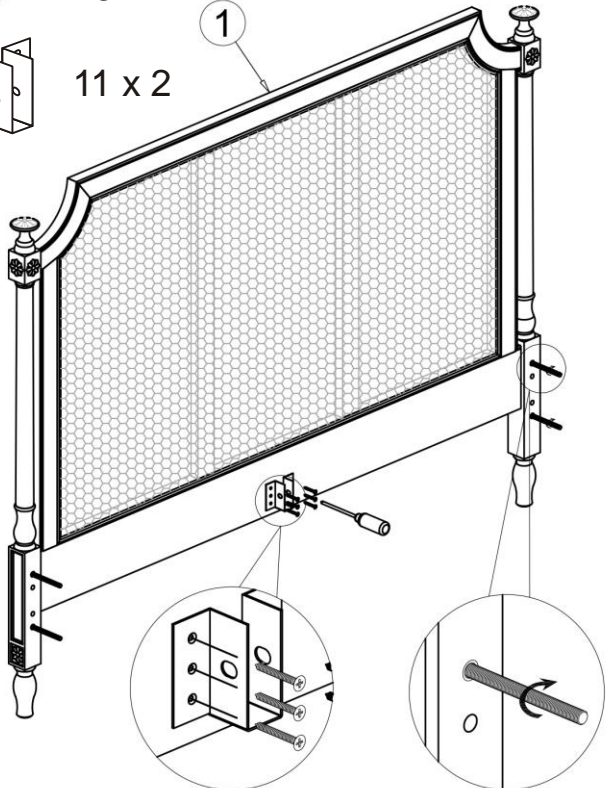
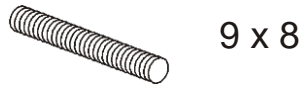


Panel and Fittings Identification

Item	Description	Qty.	Item	Description	Qty.	Item	Description	Qty.
1	Headboard	1	2	Footboard	1	3	Right Side Rails	1
4	Left Side Rail	1	5	Centre Rail	1	6	Leg	1
7	Slats 135cm Bed 150&180cm Bed	32 34	8	Plastic Cap (Provided with slats) 135cm Bed 150&180cm Bed	64 68	9	Threads	8
10	Half Moon Washers & Nuts	8	11	Brackets	2	12	40mm Bolts	2
13	11mm Nuts	2	14	Open Ended 13mm Spanner	1	15	20mm CSK Screws	12
16	NOT NEEDED IN THIS ASSEMBLY							

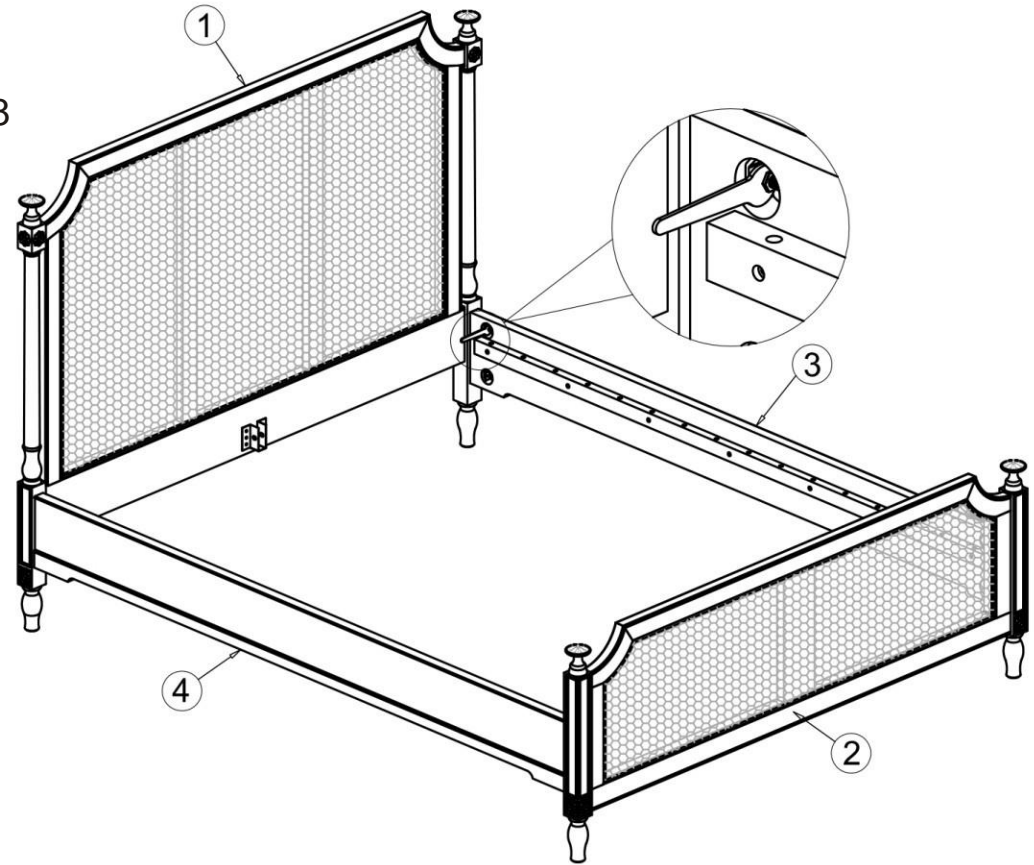
Step 1 - Screw the eight threads into the headboard and footboard ensuring enough of the thread is left for attachment in steps 2 & 3. Attach the brackets to the headboard and footboard using the 20mm screws inserted into the pre-drilled pilot holes. Tighten using a crosshead screwdriver.

Fittings



Step 2 - Locate the side rails onto threads protruding from the headboard and footboard. Locate the washers and nuts onto the threads and secure by hand at first. Tighten using the open ended spanner-(Provided).


Fittings



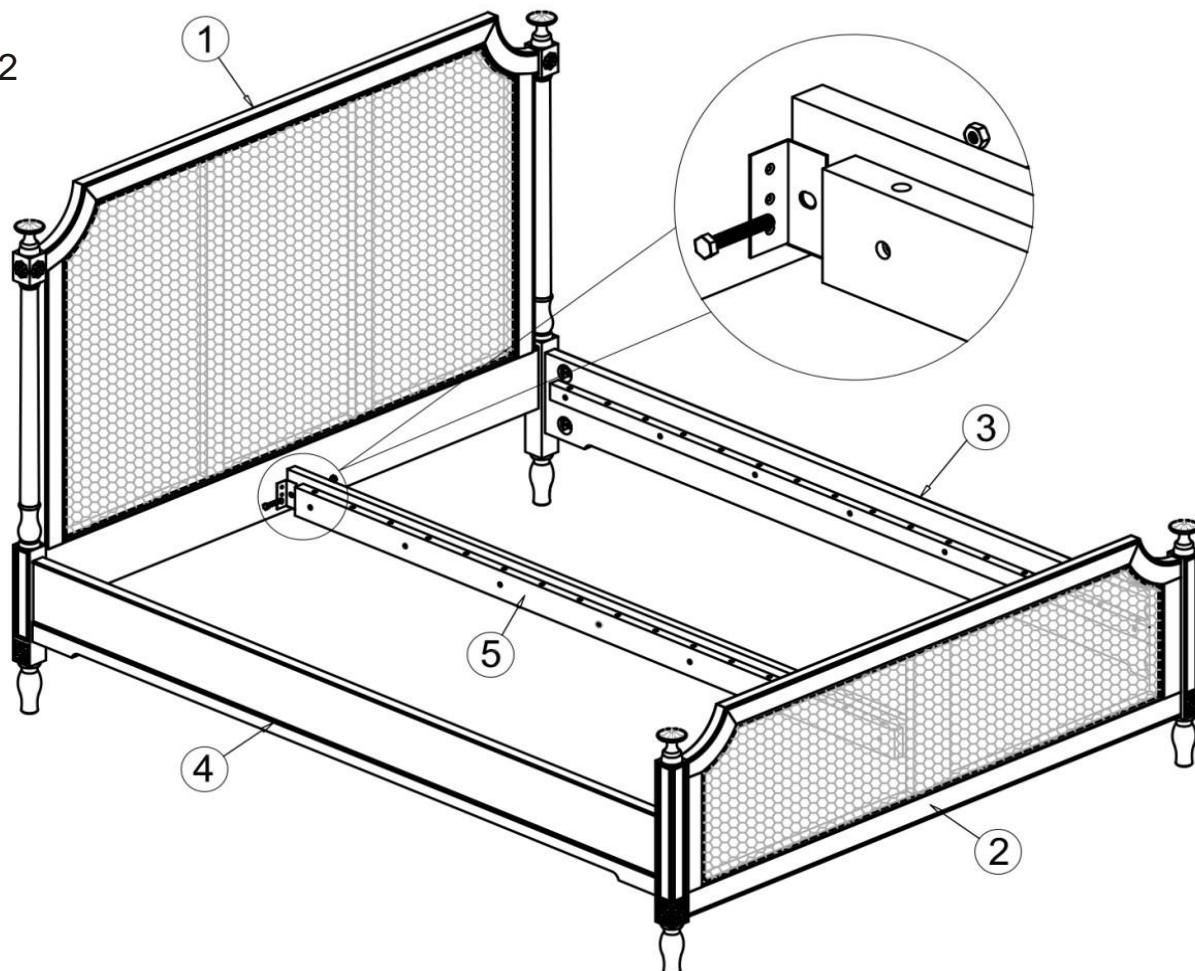
Step 3

- Locate the centre rail into the brackets. Secure using the remaining nuts and bolts. Tighten using two 11mm spanners (Not provided).

Fittings

 12 x 2

 13 x 2



Step 4 - Push fit two plastic caps onto either end of the slat. Push fit the slat into the pre-drilled pilot holes. Please note that it may require a light tap with a soft hammer to secure the plastic end caps into the holes. Repeat this step with the remaining slats. **The assembly is now complete.**

Fittings

8 x 64 (135cm bed)

8 x 68 (150&180cm bed)

