

Gatsby Console Table Assembly Instructions

Pre-assembly Preparation

Please read these instructions fully prior to assembly to familiarise yourself with the various stages of construction. Carefully open all packs supplied and check the contents against the parts and fittings check list.

Do not destroy any of the packaging until you are certain that you have all the necessary parts for the assembly.

This item is heavy once assembled. Please try to assemble the item as close as possible to the point of use. Take care when moving the item to avoid personal injury or damage to the product and always lift rather than drag.

There are small components used in the construction of this furniture as well as plastic foil packaging, these should be kept away from young children whilst assembling.

Product Safety

All assembly fastenings should always be tightened properly and care should be taken to ensure that no fittings are loose.

Periodically check and ensure that all components are in their proper position, free from damage, and that all connectors are tight.

Product Care

To clean, slightly moisten cloth with suitable glass cleaner and wipe surfaces. A damp cloth holds dust and prevents damage. repeat with a dry, soft, lint-free cloth.

Do not use abrasives or cleaning products which may contain ammonia or solvents since these will scratch the glass.

When cleaning glass panels use a damp cloth or leather with washing up liquid or soft soap if necessary; do not use washing powders or any other substances containing abrasives since these substances scratch glass.

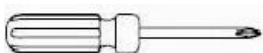
Do not place very hot or very cold items on the glass surface(s) unless adequately thick table mats are used to prevent such items from coming into contact with the glass.

Do not sit or stand upon the glass surface(s)

Do not use the glass as a chopping surface & do not strike the glass with hard or pointed items.

Tools Required:

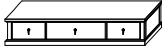








Please use a Philips Head Screwdriver (not included) to assemble the wall tie & an Allen Key (included) to assemble legs and carcass.



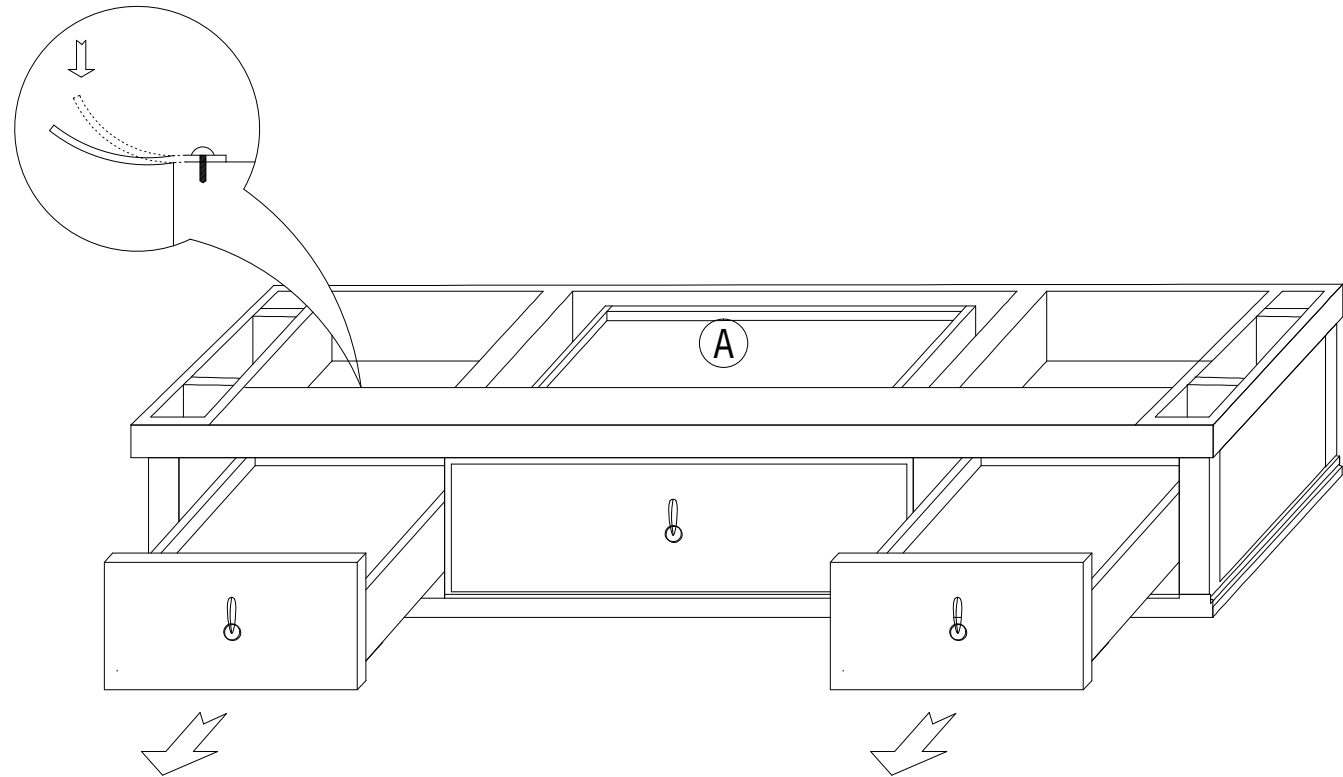
If you require any advice during assembly please call our customer service team on 01243 380600.

feather & black

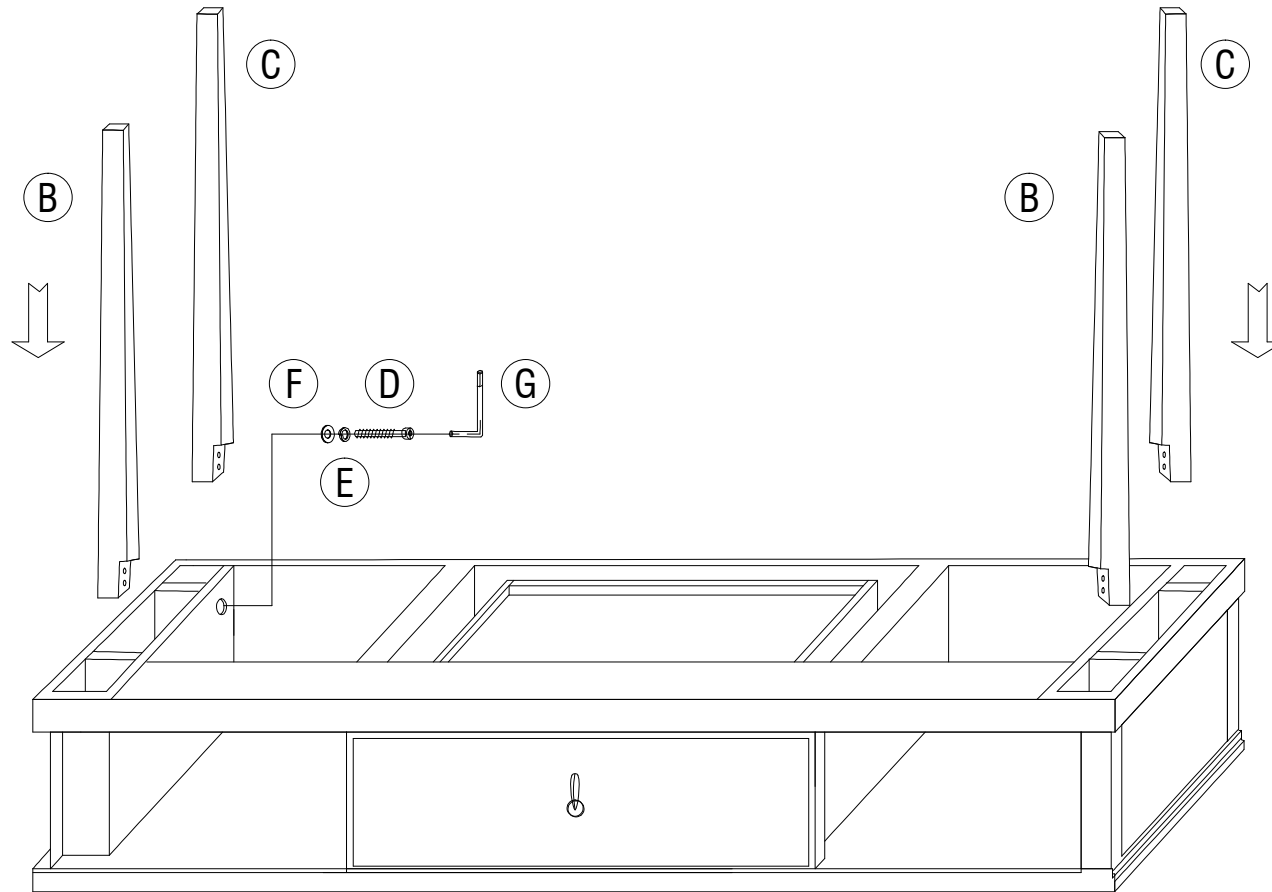
Gatsby Console Table Assembly Instructions





	PARTS	Q'TY
A		1PC
B		2PCS
C		2PCS
D		8PCS
E		8PCS
F		8PCS
G		1PC
H	 M3.5 x 20	2PCS
I		2PCS

1

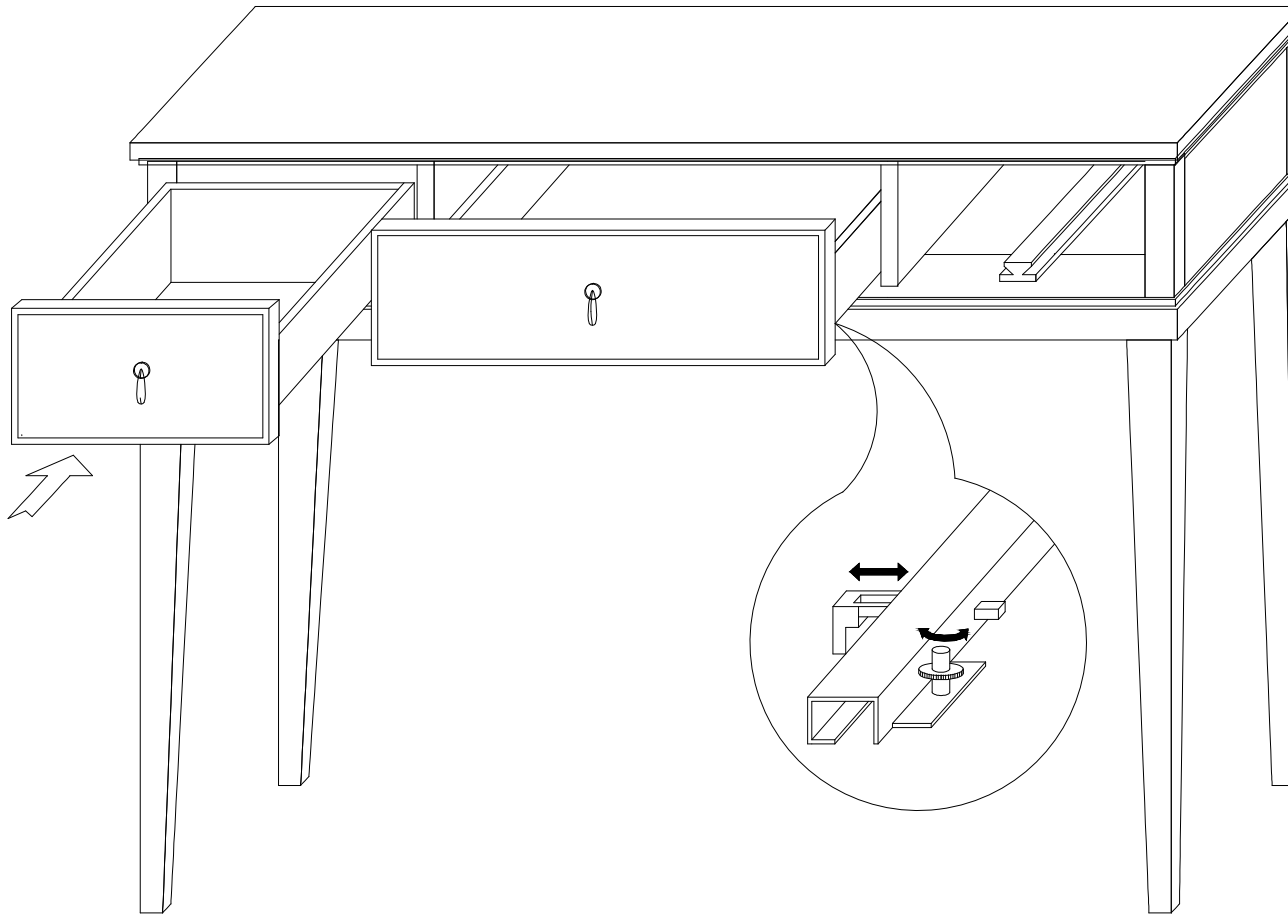




2



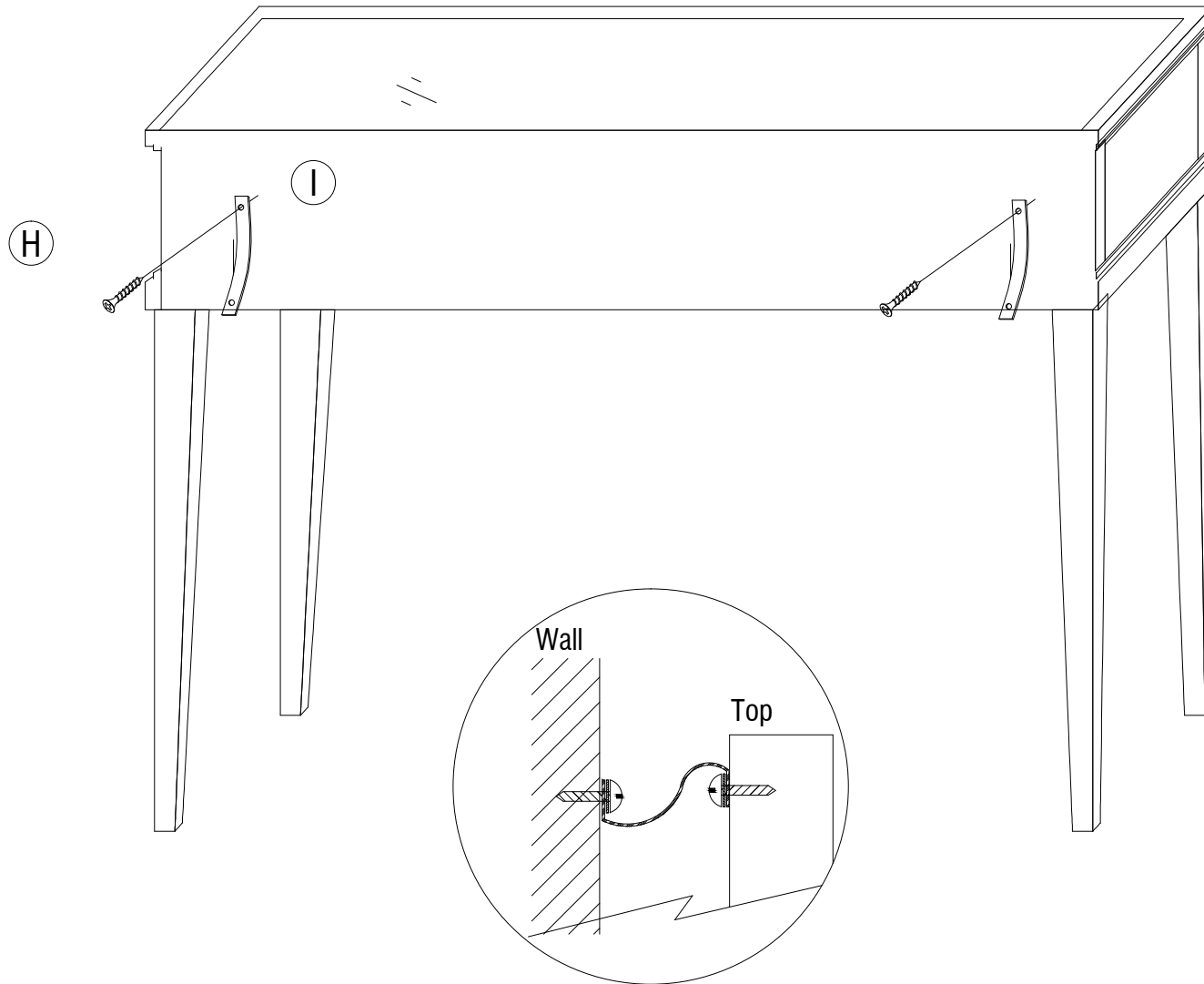
D		8PCS
E		8PCS
F		8PCS
G		1PC

3



H	 M3.5 x 20	2PCS
I		2PCS

4



5

