

feather & black

Evie Day Bed

IMPORTANT READ CAREFULLY – RETAIN FOR FUTURE REFERENCE

- Read all instructions before assembly. KEEP INSTRUCTIONS FOR FUTURE USE
- Save all packing materials until assembly is complete to avoid accidentally discarding fittings
- All assembly fastenings should always be tightened properly and that care should be taken that no fittings are loose
- To clean, slightly moisten cloth with water and wipe surfaces. A damp cloth holds dust and prevents damage. Repeat with a dry, soft, lint-free cloth
- Do not use abrasives or cleaning products which may contain ammonia or solvents
- Once bed is assembled, do not sit, stand or apply weight directly to slats unless mattress is in place.

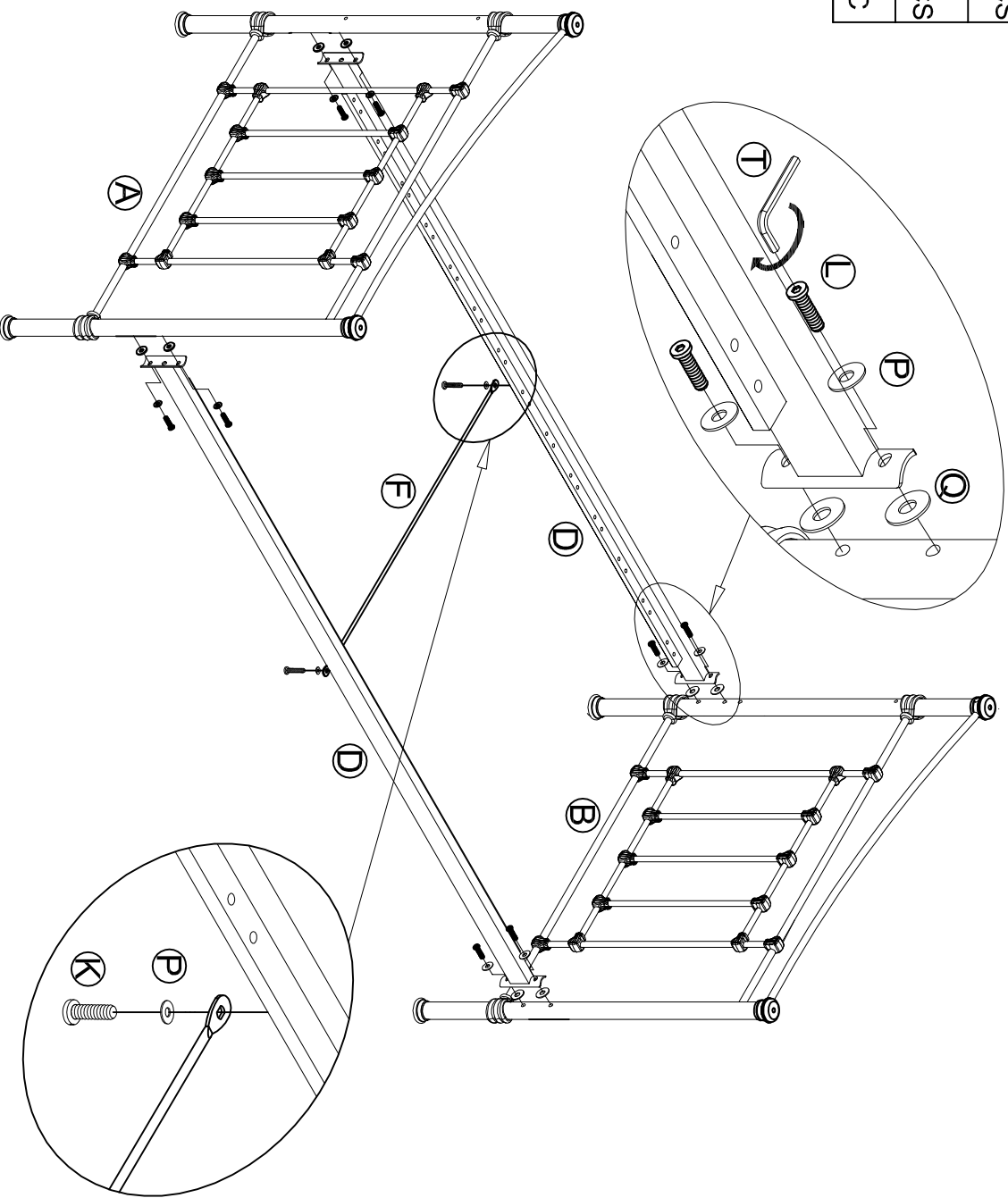
TOOLS REQUIRED:

- **Please use Allen key**

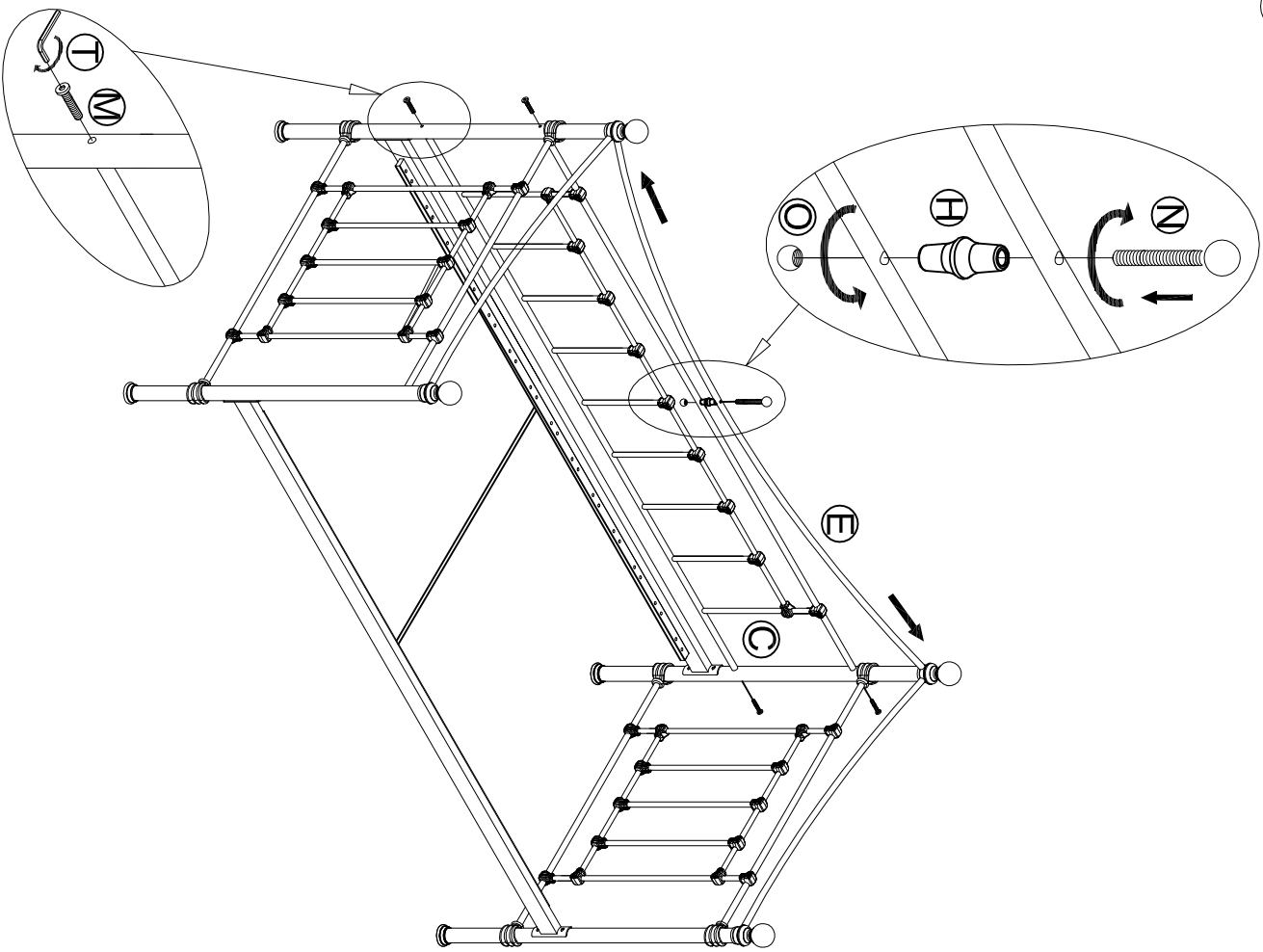


	PARTS	Q'TY		PARTS	Q'TY
A		1PC	R		4PCS
B		1PC	S		28PCS
C		1PC	T		1PC
D		2PCS			
E		1PC			
F		1PC			
G		14PCS			
H		1PC			
I		2PCS			
J		2PCS			
K		2PCS			
L		8PCS			
M		4PCS			
N		1PC			
O		1PC			
P		10PCS			
Q		8PCS			

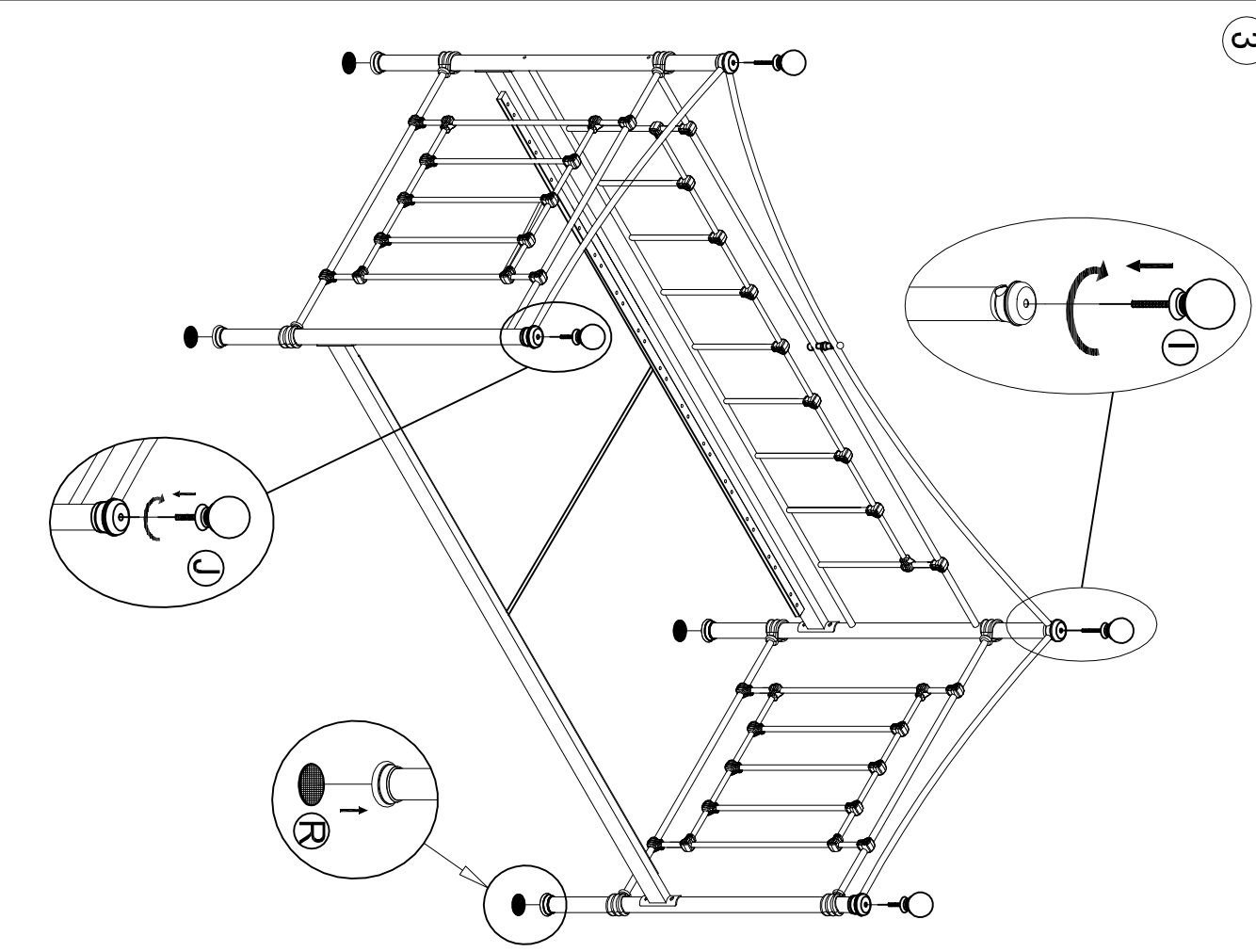
1



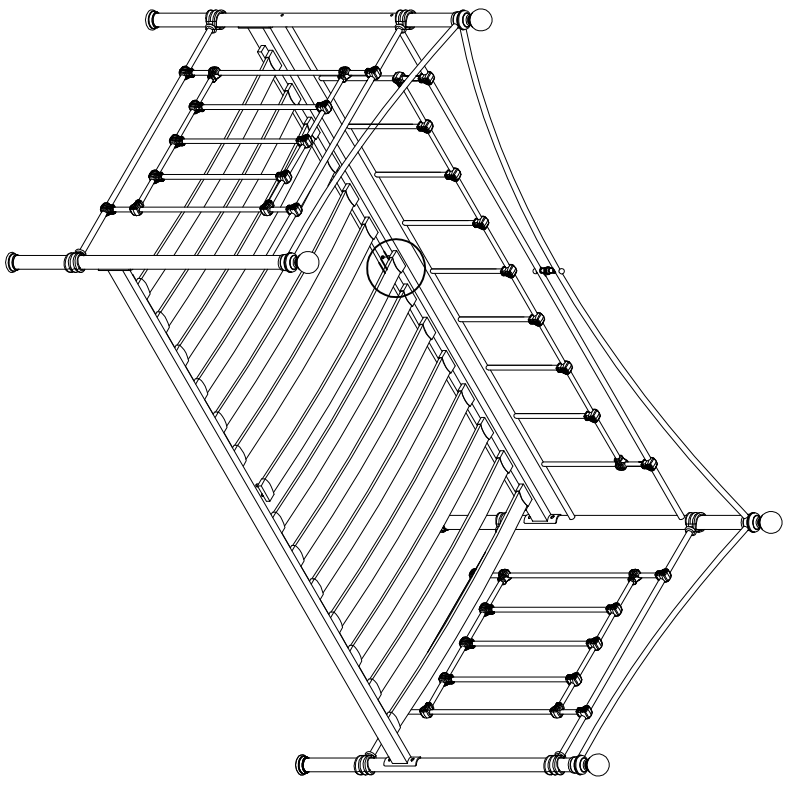
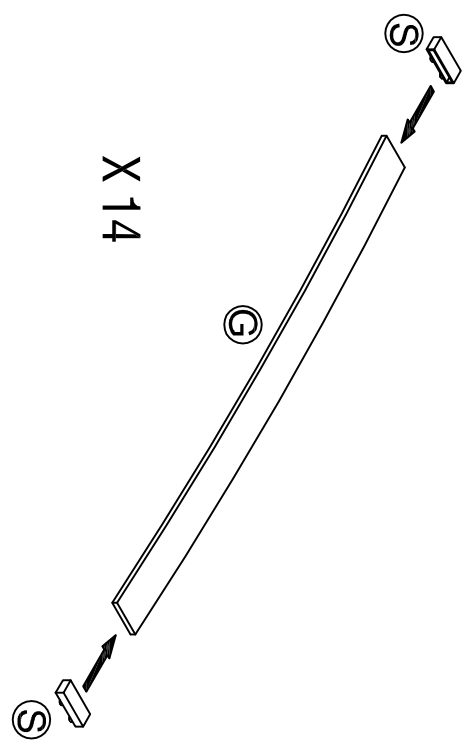
2



3



4



5

