

Cottingham Bedstead Double, King & Super King Assembly Instructions

IMPORTANT READ CAREFULLY- RETAIN FOR FUTURE REFERENCE

- Read all instructions before assembly.
- Save all packing materials until assembly is complete to avoid accidentally discarding fittings
- All assembly fastenings should always be tightened properly and that care should be taken that no fittings are loose
- Once bed is assembled, do not sit , stand or apply weight directly to slats unless mattress is in place

Product Care

- Wipe clean using a soft damp cloth followed by dry cloth
- Do not use abrasives or cleaning products which may contain ammonia or solvents
- Take Care when handling or moving the furniture. Careless handling can damage furniture, try to lift rather than drag





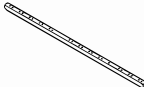
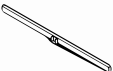
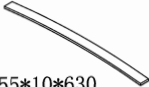





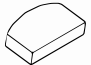

Warnings

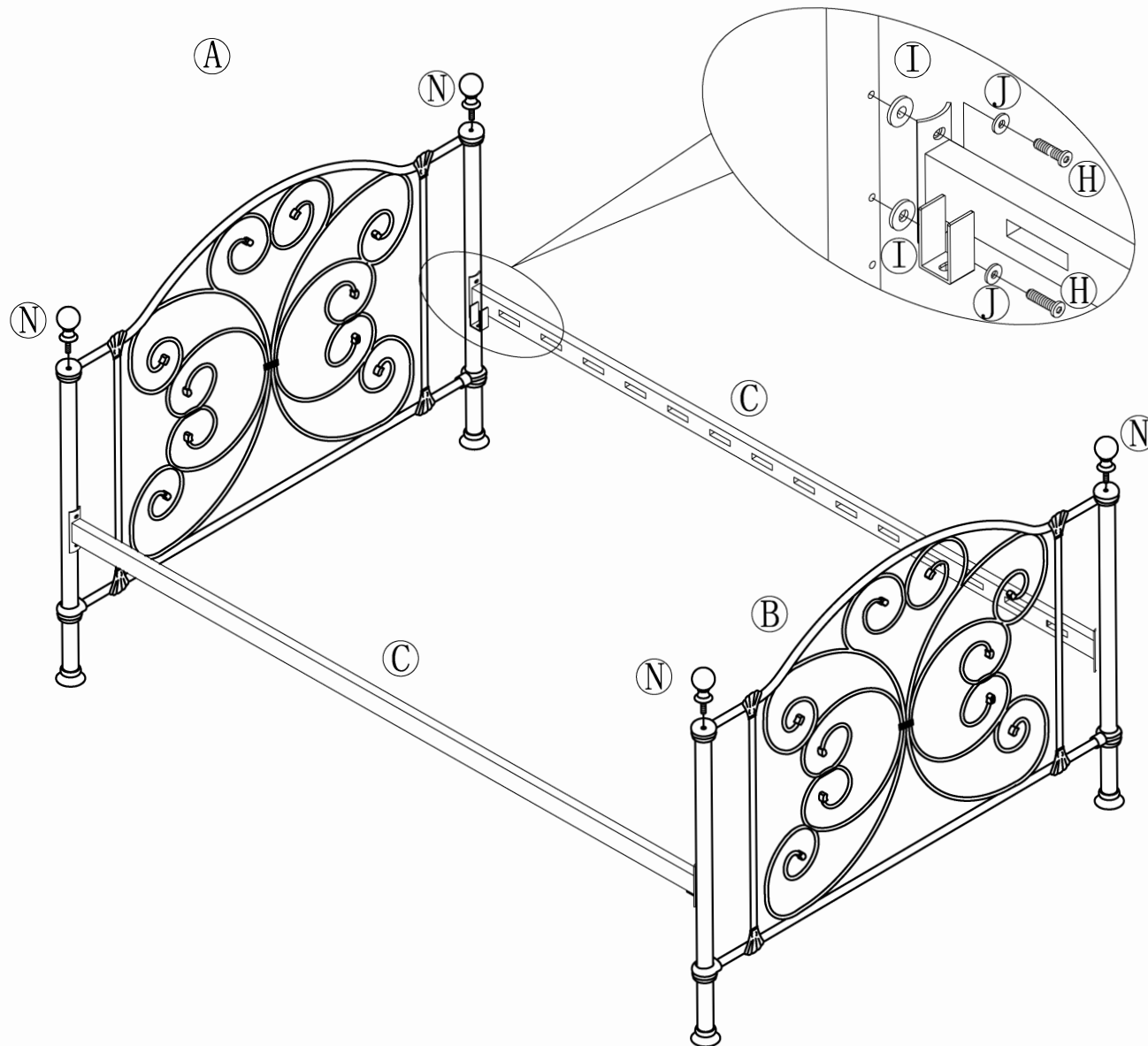
- Assembly fittings should always be tightened properly and checked periodically
- Replacement parts can be obtained from the Feather & Black customer Service team
- Do not use this if any parts are missing or damaged

Tools Required:

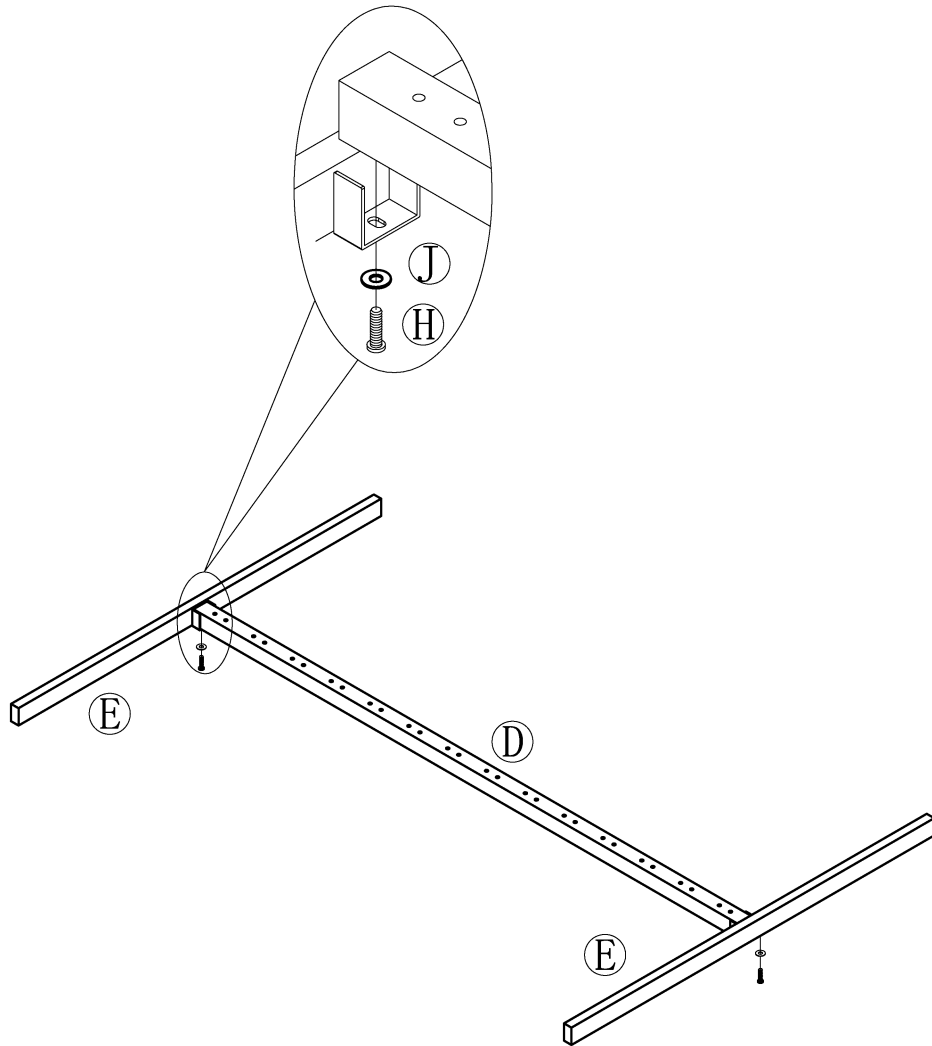
- please use Allen



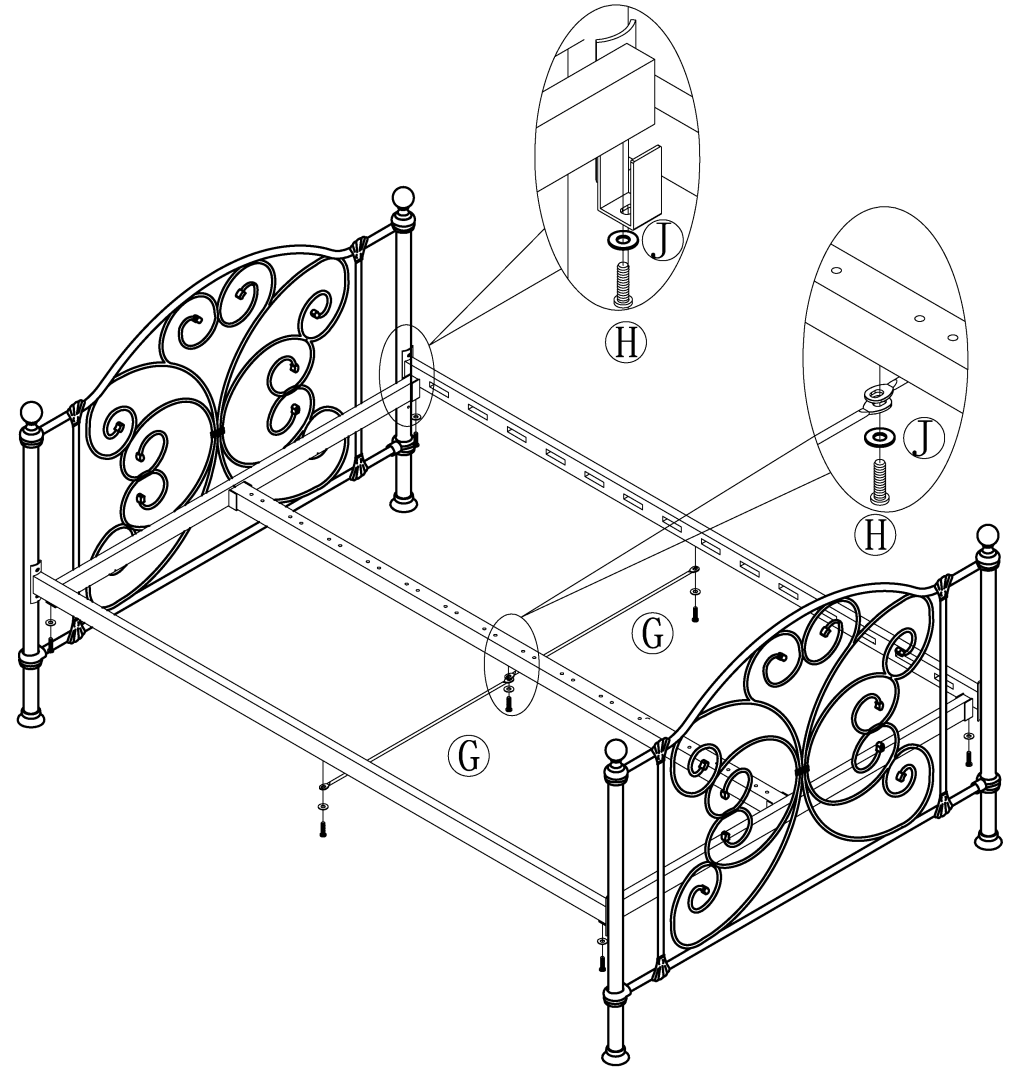
	PARTS	Q'TY	N		4PCS
A		1PC	①		
B		1PC	①		
C		2PCS			
D		1PC			
E		2PCS			
F	 55*10*630	28PCS			
G		2PCS			
H	 1/4" X 22"	17PCS			
I	 ø23	8PCS			
J	 ø16	17PCS			
K		14PCS			
L		28PCS			
M	 M4	1PC			



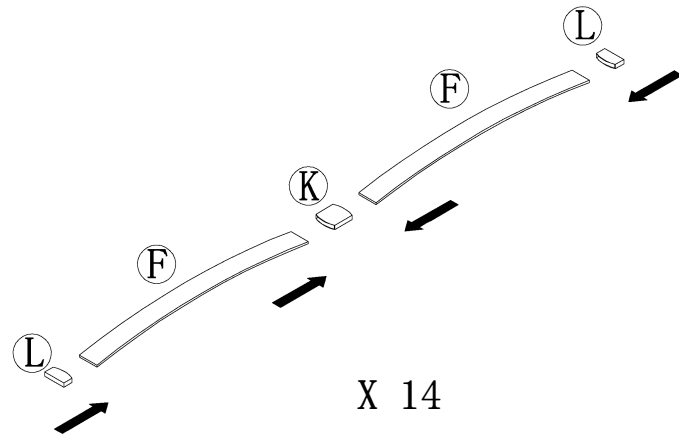
②



③



④



⑤

