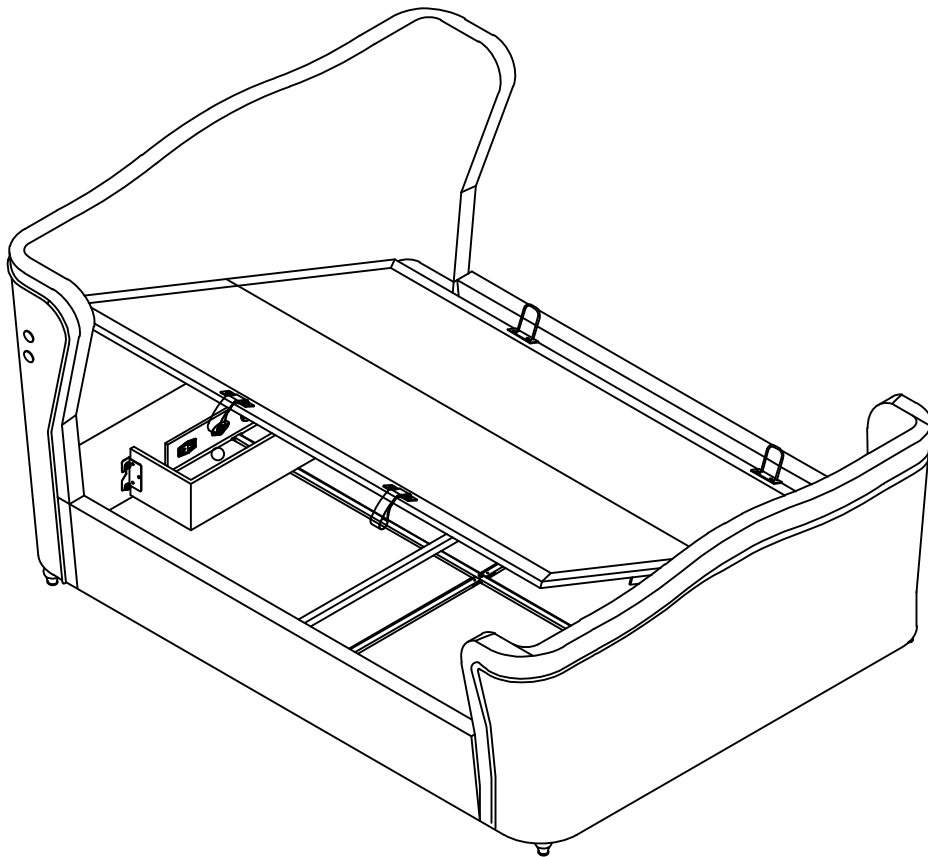


FEATHER & BLACK

Charlotte Electric Ottoman Bed ASSEMBLY GUIDE



WELCOME TO THE FEATHER & BLACK COMMUNITY.

Since 2004, we've been dedicated to creating beautifully crafted bedroom furniture that's made to last. We believe your home is a reflection of you, that's why every piece we create is thoughtfully designed and carefully finished.

We hope your new addition feels right at home. If you need anything at all, our team is here to help – simply call 01494 415 399 (option 2), email customer services @featherandblack.com, or chat to us live at featherandblack.com.

We love seeing our designs styled in real homes – so if you're happy to share, tag us on Instagram @featherandblack and use #featherandblack.

From our home to yours, thank you for choosing furniture that's made to be lived in and loved for life.

THE FEATHER & BLACK TEAM

PLEASE RETAIN THESE ASSEMBLY INSTRUCTIONS FOR FUTURE USE

FEATHER & BLACK

Charlotte Electric Ottoman Bed

BEFORE YOU START

IMPORTANT SAFETY INFORMATION - READ CAREFULLY - RETAIN FOR FUTURE REFERENCE

- **ADULT OPERATION ONLY**
Not recommended for the use by children under the age of 12 years old.
- **KEEP CHILDREN AND PETS AWAY:**
Ensure children and pets stay away from the storage area. Do not stand inside the internal storage area of the bed.
- **AVOID ENTRAPMENT**
Only unlock the button control when it is safe to do so.
- **FULLY OPEN OTTOMAN:**
Ensure the ottoman is fully opened before accessing the storage area.
- **AVOID HINGE AREA:**
Do not reach into the storage area through the hinge mechanism.
- **IN THE EVENT OF A POWER CUT OR EMERGENCY, REMOVE THE MATTRESS AND USE THE PRE-FITTED HANDLES TO MANUALLY LIFT THE STORAGE LID.**
The lid will not be supported, take extra care – there is a risk of entrapment.
- **MAINTENANCE**
Regularly inspect your bed to ensure it is functioning correctly.
- **DO NOT EXCEED THE MAXIMUM WEIGHT LIMIT SPECIFIED IN THE TABLE BELOW.**
Ensure the combined bedding and mattress weight is within the recommended weight guidance.

BED	BED SIZE	MIN WEIGHT (KG)	MAX WEIGHT (KG)
Charlotte Electric Ottoman Bed	Double	10	80
	King	10	80
	Super King	15	100



FEATHER & BLACK

Charlotte Electric Ottoman Bed

BEFORE YOU START

Thank you for purchasing this Charlotte electric ottoman bed.

Please read these instructions fully prior to assembly to familiarise yourself with the various stages of construction. Carefully open all packs supplied and check the contents against the parts and fittings check list.

Do not destroy any of the packaging until you are certain that you have all the necessary parts for the assembly.

This item is heavy once assembled. Please try to assemble the item as close as possible to the point of use. Take care when moving the item to avoid personal injury or damage to the product and always lift rather than drag.

There are small components used in the construction of this furniture as well as plastic packaging, these should be kept away from young children whilst assembling.

PRODUCT SAFETY

All assembly fastenings should always be tightened properly, and care should be taken to ensure that no fittings are loose.

Periodically check and ensure that all components are in their proper position, free from damage, and that all connectors are tight.

Please note depending on the lighting, positioning and surroundings of your room, the shade of the colour can sometimes appear slightly different. Over a period of time the colour might lighten or fade slightly due to light exposure.

PRODUCT CARE

To clean, slightly moisten cloth with water and wipe surfaces. A damp cloth holds dust and prevents damage. Repeat with a dry, soft, lint-free cloth. Do not use abrasives or cleaning products which may contain ammonia or solvents.

NUMBER OF PEOPLE REQUIRED TO ASSEMBLE

Two people to assemble the product and two people to lift in to position.



IMPORTANT ADVICE

Do not operate the mechanism with anybody on the bed. Always lift the bed with the mattress in place.

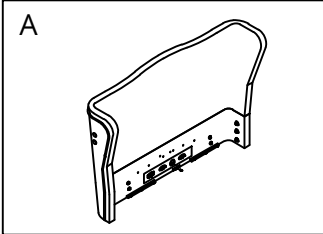
TIME TO ASSEMBLE



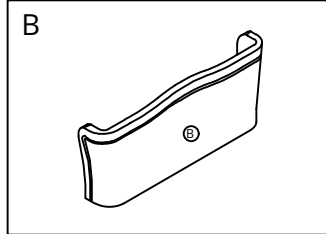
FEATHER & BLACK

Charlotte Electric Ottoman Bed

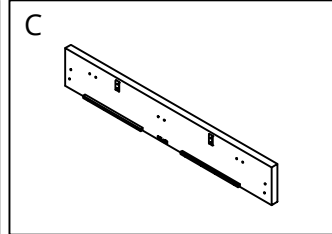
COMPONENTS SUPPLIED (NOT ACTUAL SIZE)



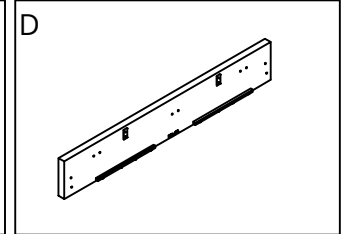
Ref: Headboard
Quantity: 1 pc
Box Number: 1



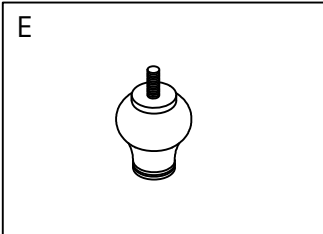
Ref: Footboard
Quantity: 1 pc
Box Number: 3



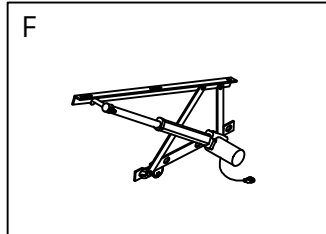
Ref: Side Rail-RH
Quantity: 1 pc
Box Number: 2



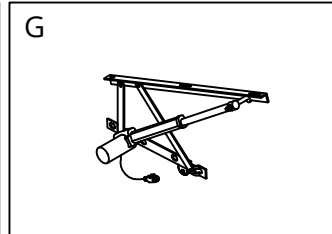
Ref: Side Rail-LH
Quantity: 1 pc
Box Number: 2



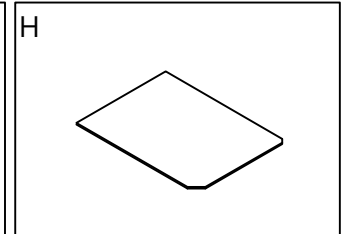
Ref: Legs
Quantity: 4 pcs
Box Number: 5



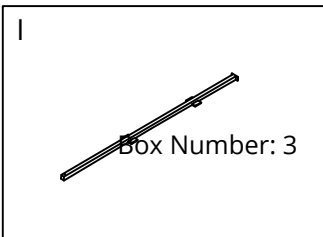
Ref: Gas-lift Mechanism
- Right
Quantity: 1 pc
Box Number: 5



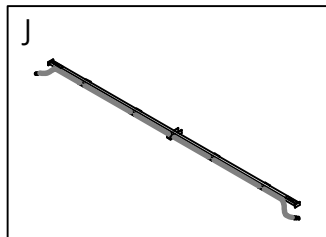
Ref: Gas-lift Mechanism
- Left
Quantity: 1 pc
Box Number: 5



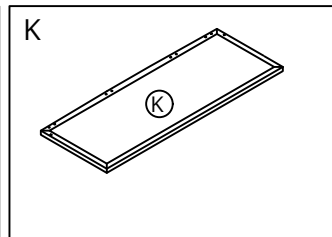
Ref: Storage Base Board
Quantity: 4 pcs
Box Number: 6



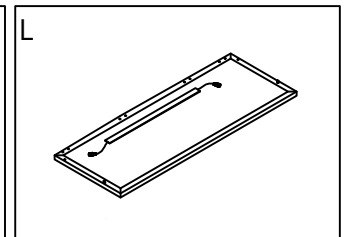
Ref: Cross Bar
Quantity: 2 pcs
Box Number: 3



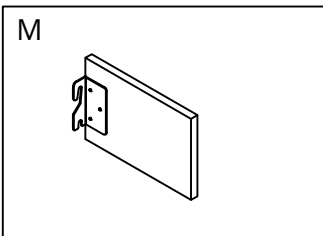
Ref: Centre Support
Quantity: 1 pc
Box Number: 2



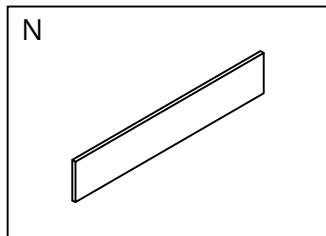
Ref: Mattress Base Board
- Upper
Quantity: 1 pc
Box Number: 4



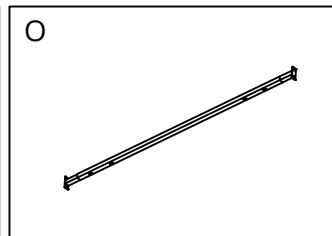
Ref: Mattress Base Board
- Lower
Quantity: 4 pcs
Box Number: 4



Ref: Motor Compartment
Guard - Side
Quantity: 2 pairs
Box Number: 3



Ref: Motor Compartment
Guard - End
Quantity: 2 pc
Box Number: 3



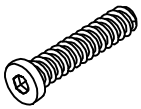




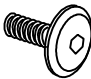



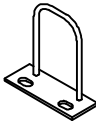

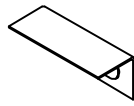
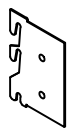
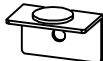




Ref: Adjustable Side
Rail Cross Bar
Quantity: 1 pc
Box Number: 2



FEATHER & BLACK

Charlotte Electric Ottoman Bed

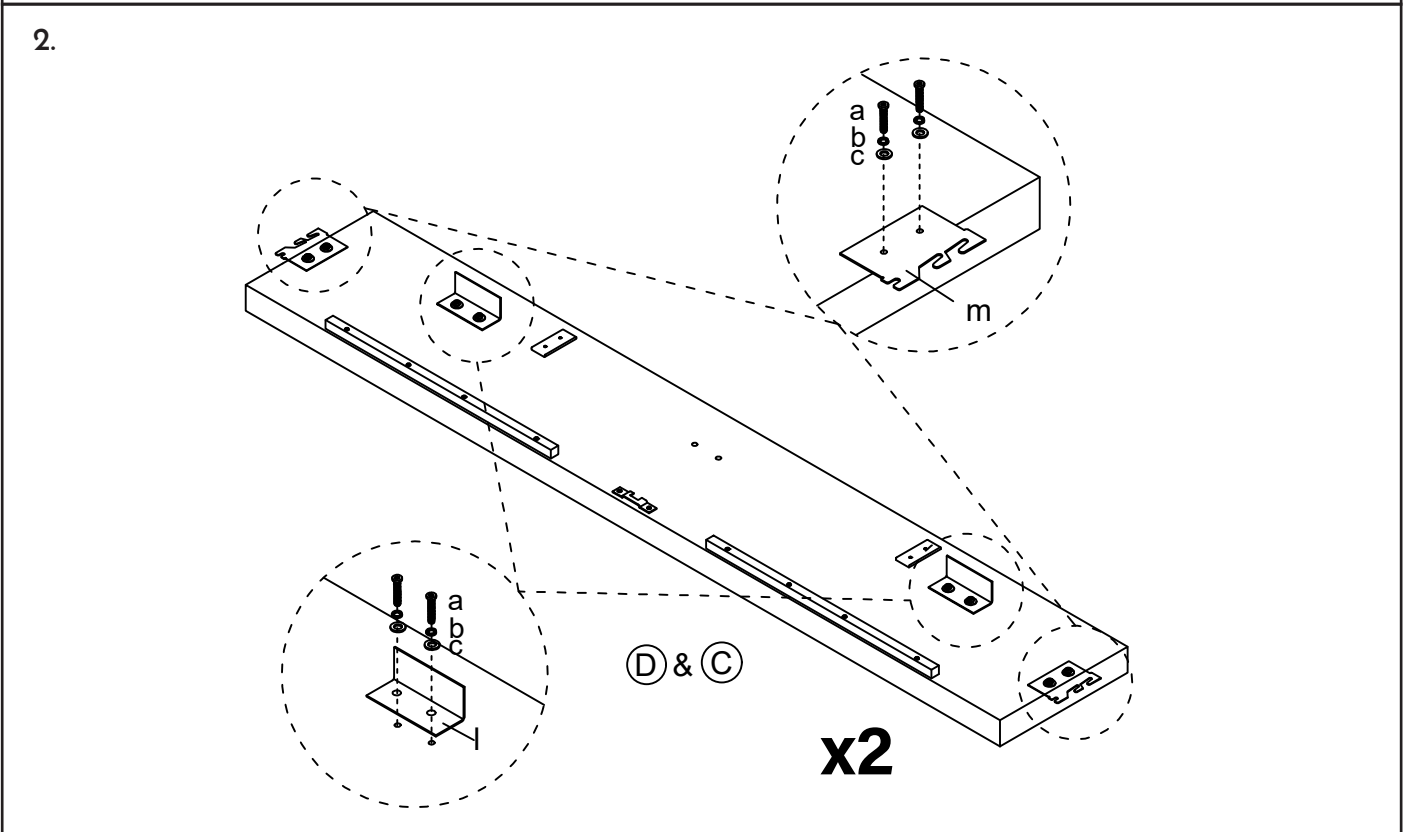
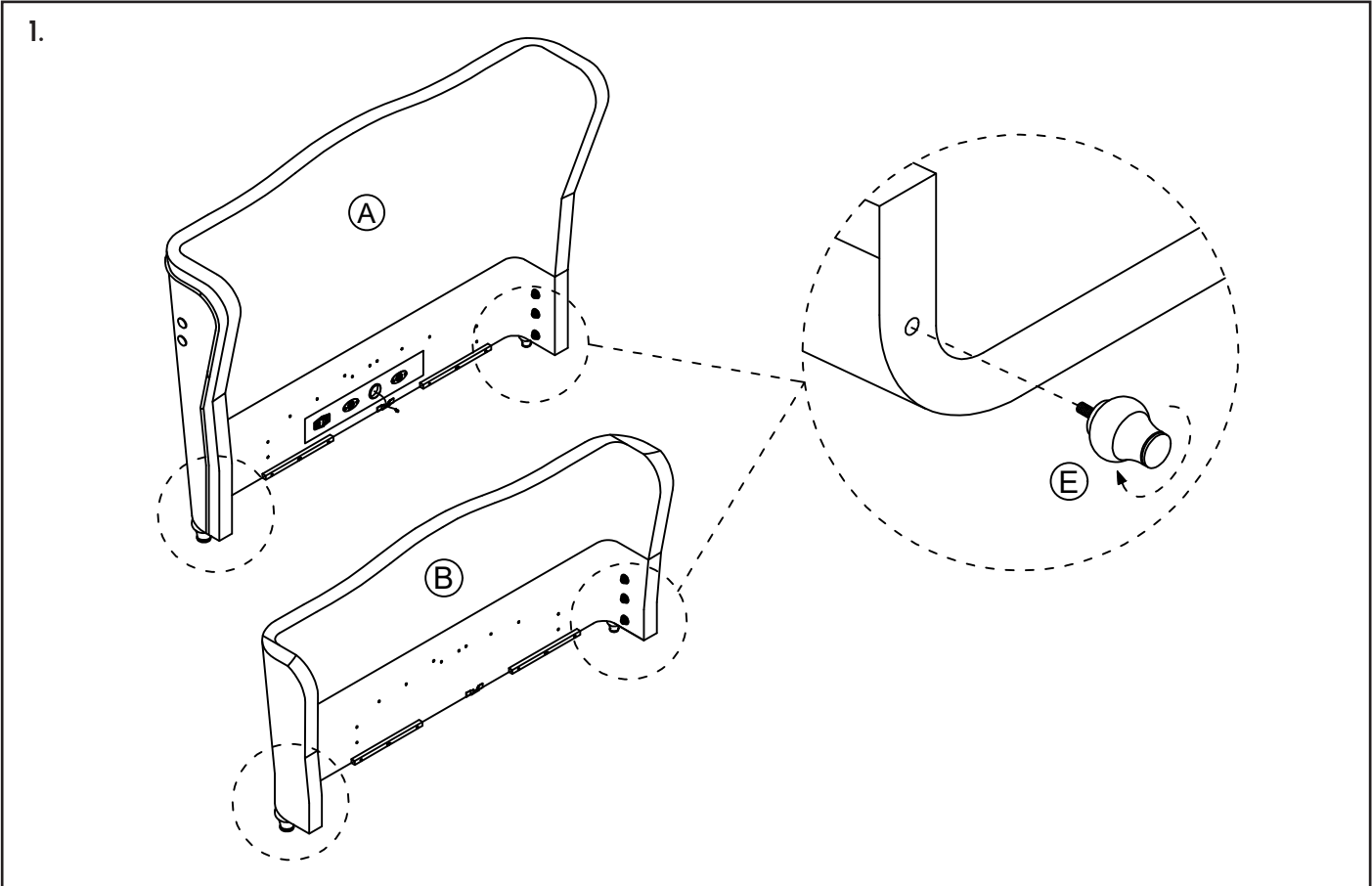
FIXTURES & FITTINGS SUPPLIED (NOT ACTUAL SIZE)







<p>a</p> 	<p>b</p> 	<p>c</p> 	<p>d</p> 
<p>Ref: Bolts (M8x30mm) Quantity: Double & King x59pcs Super king x63pcs Box Number: 5</p>	<p>Ref: Spring washer for M8 Quantity: Double & King x56pcs Super king x60pcs Box Number: 5</p>	<p>Ref: Flat washer for M8 Quantity: Double & King x56pcs Super king x60pcs Box Number: 5</p>	<p>Ref: Allen Key for M8 bolts Quantity: 1pc Box Number: 5</p>
<p>e</p> 	<p>f</p> 	<p>g</p> 	<p>h</p> 
<p>Ref: Metal plates for connecting mattress boards (K&L) Quantity: 4pcs Box Number: 5</p>	<p>Ref: Big Head Bolts (M8x20mm) for fitting mattress stoppers Quantity: 4pcs Box Number: 5</p>	<p>Ref: Carcass Screw (Ø4x40mm) Quantity: 8pcs Box Number: 5</p>	<p>Ref: Allen Key for M4 bolts Quantity: 1pc Box Number: 5</p>
<p>i</p> 	<p>j</p> 	<p>k</p> 	<p>l</p> 
<p>Ref: Mains Power Lead Quantity: 1pc Box Number: 5</p>	<p>Ref: Mattress Stopper Quantity: 2pcs Box Number: 5</p>	<p>Ref: Adjustable Leg for Centre Support Quantity: 1pc Box Number: 5</p>	<p>Ref: Support Bracket Quantity: 4pcs Box Number: 5</p>
<p>m</p> 	<p>n Super King only</p> 		
<p>Ref: Hook Brackets Quantity: 4pcs Box Number: 5</p>	<p>Ref: Base Support Bracket Quantity: 2pcs Box Number: 5</p>		
<p>Emergency Use Only</p>			
<p>x</p> 	<p>y</p> 	<p>z</p> 	<p>d</p> 
<p>Ref: Metal Plate for fabric hand strap Quantity: 2pcs Box Number: 5</p>	<p>Ref: Fabric hand strap Quantity: 2pcs Box Number: 5</p>	<p>Ref: Spanner for M17 nuts Quantity: 1pc Box Number: 5</p>	<p>Ref: Allen Key for M8 bolts Quantity: 1pc Box Number: 5</p>

0
1
2
3
4
5
6
7
8
9
10
11
12
13
14
15
16
17
18

FEATHER & BLACK

Charlotte Electric Ottoman Bed



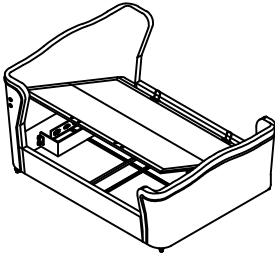
a	 x16	b	 x16	c	 x16	l	 x4	m	 x4	d	 x1
---	---	---	---	---	---	---	--	---	--	---	--

FEATHER & BLACK

Charlotte Electric Ottoman Bed

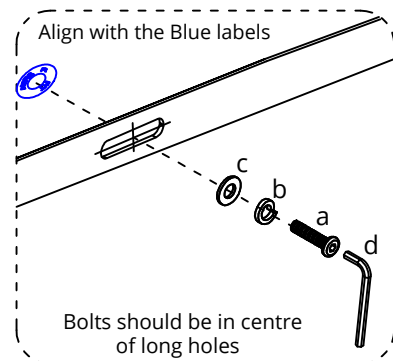
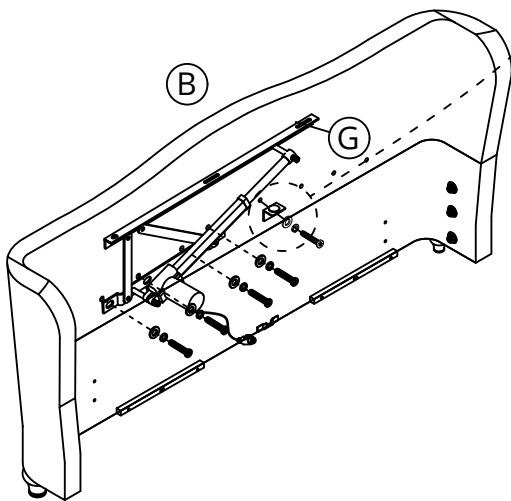
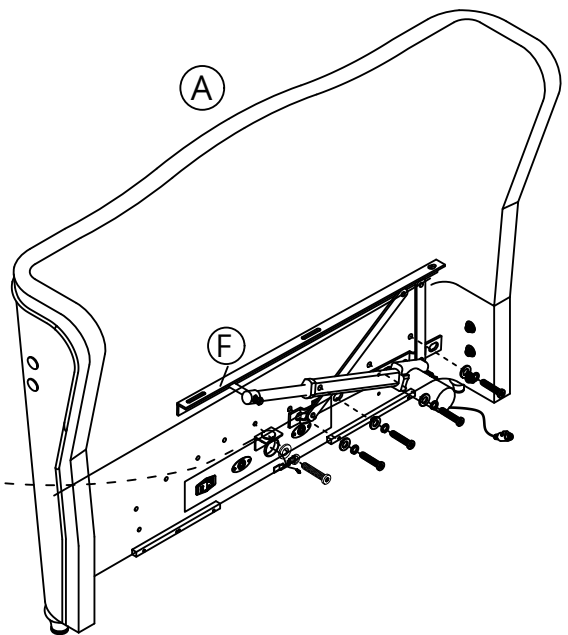
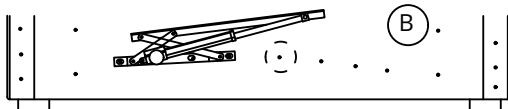
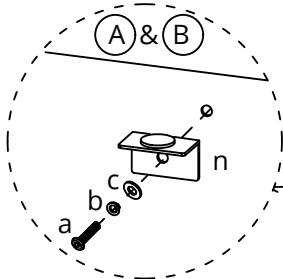
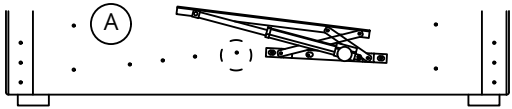
3a. Follow these instructions if you want to lift the base up from the LEFT side of the bed.










OPEN FROM LEFT



Check this diagram and if access is needed from the left side, fit both lift mechanisms to right side of the headboard & footboard. Bolt into the holes marked (R) with blue labels.

Only for Super King



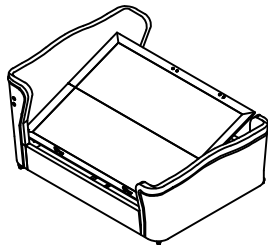
Double & King	a  x8	b  x8	c  x8	d  x1	
Super King	a  x10	b  x10	c  x10	d  x1	n  x2

FEATHER & BLACK

Charlotte Electric Ottoman Bed

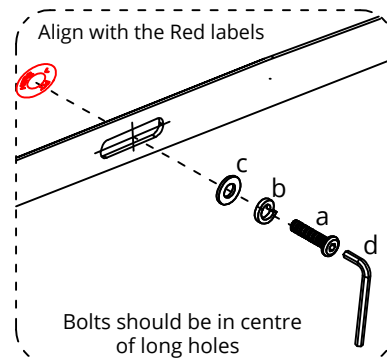
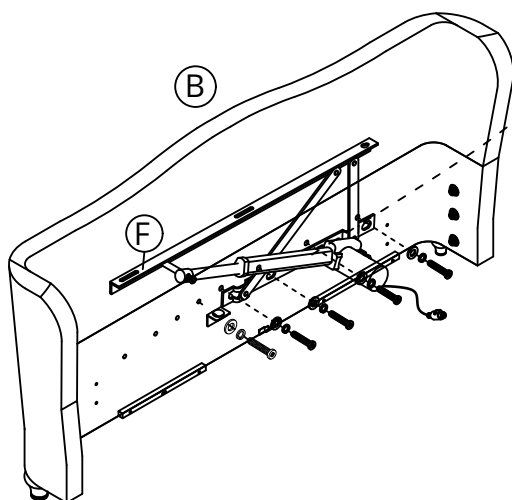
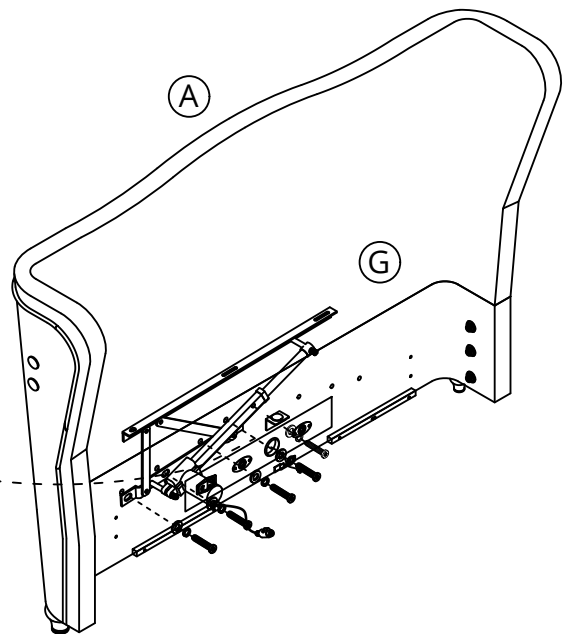
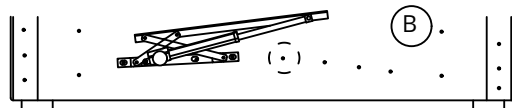
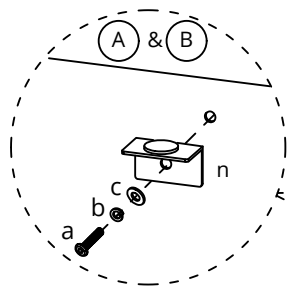
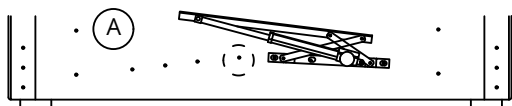
3b. Follow these instructions if you want to lift the base up from the RIGHT side of the bed.










OPEN FROM RIGHT



Check this diagram and if access is needed from the right side, fit both lift mechanisms to left side of the headboard & footboard. Bolt into the holes marked (L) with red labels.

Only for Super King



Double & King	a  x8	b  x8	c  x8	d  x1	
Super King	a  x10	b  x10	c  x10	d  x1	n  x2

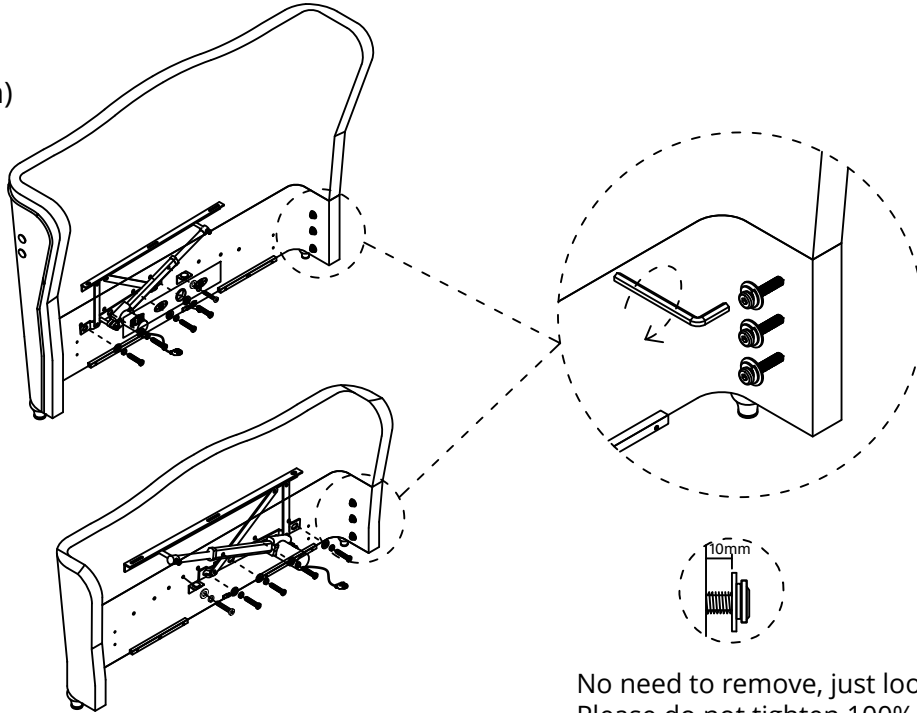
FEATHER & BLACK

Charlotte Electric Ottoman Bed

4. Prepare the headboard & footboard for assembly.
Hardware pre-fitted to the headboard & footboard (A&B)



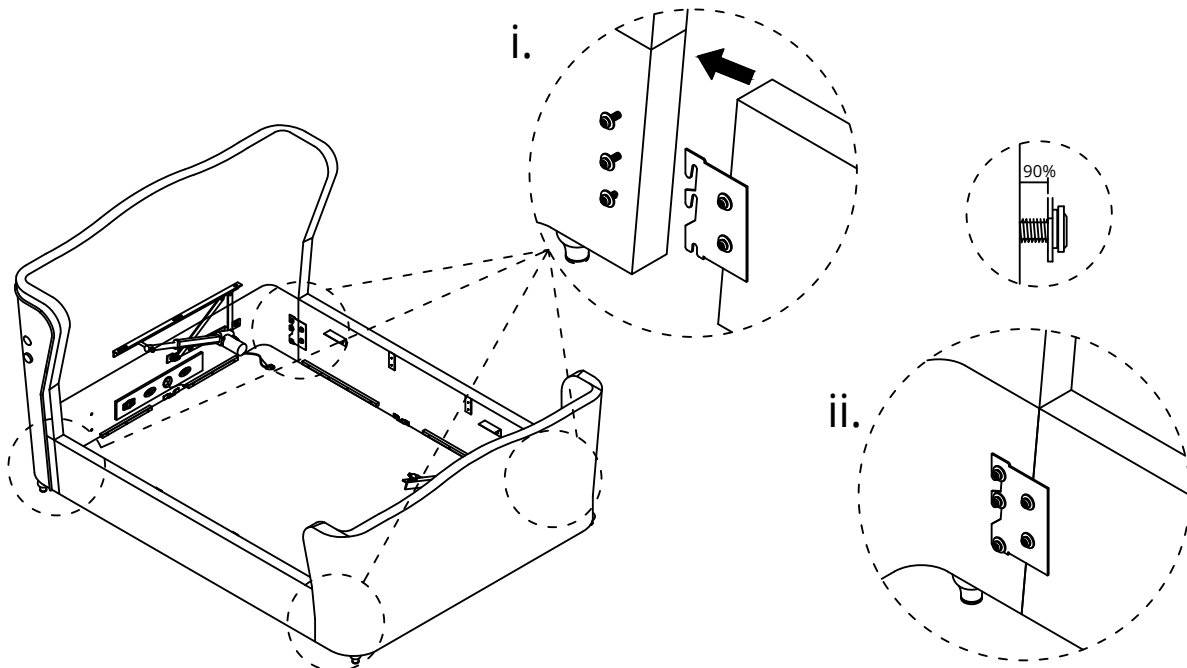
Bolts (M8x30mm)



No need to remove, just loosen
Please do not tighten 100% yet.

d  x1

- 5.



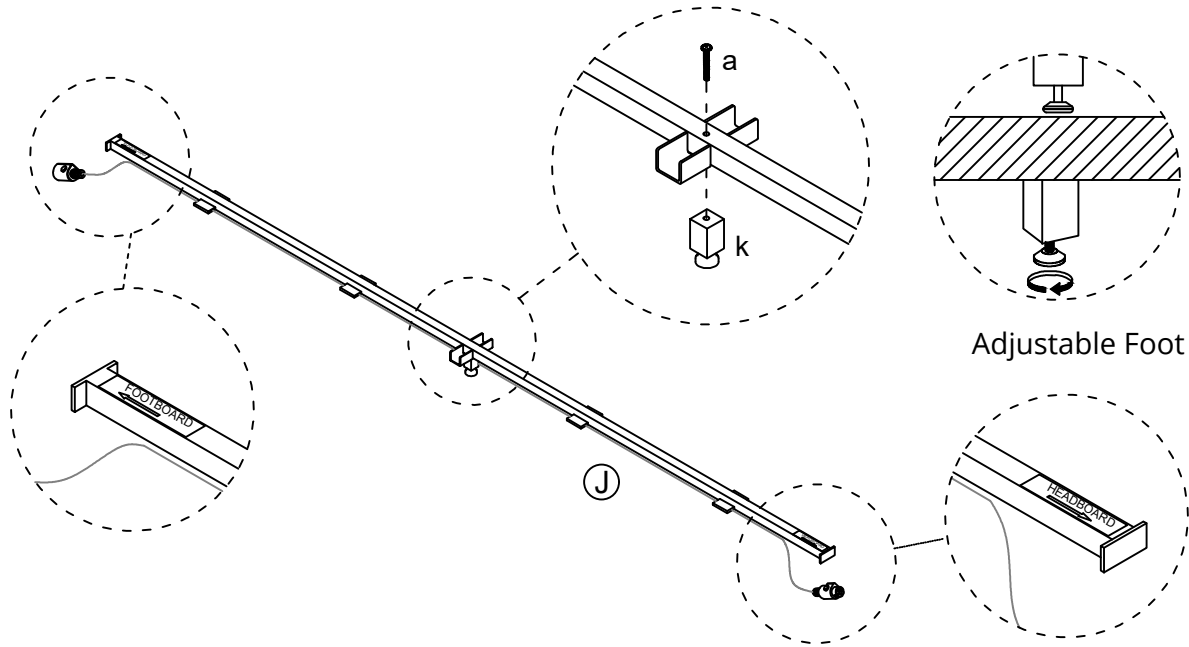
Please do not tighten 100% yet.

d  x1

FEATHER & BLACK

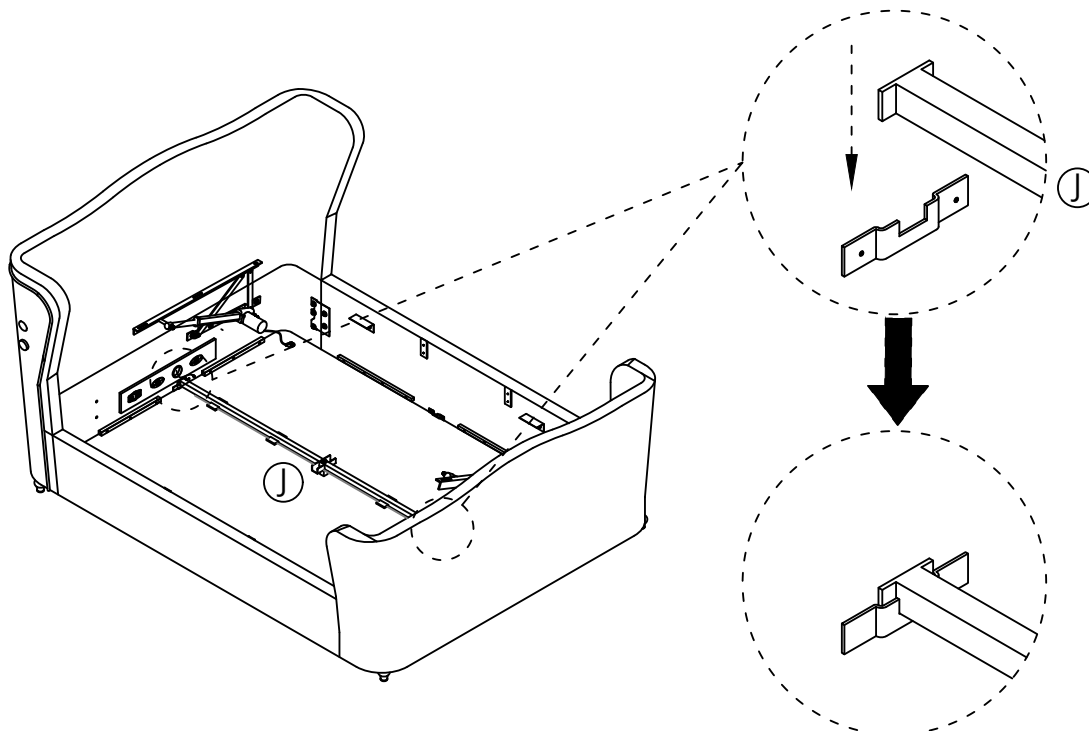
Charlotte Electric Ottoman Bed

6.



a		x1	k		x1	d		x1
---	---	----	---	---	----	---	---	----

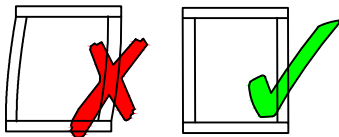
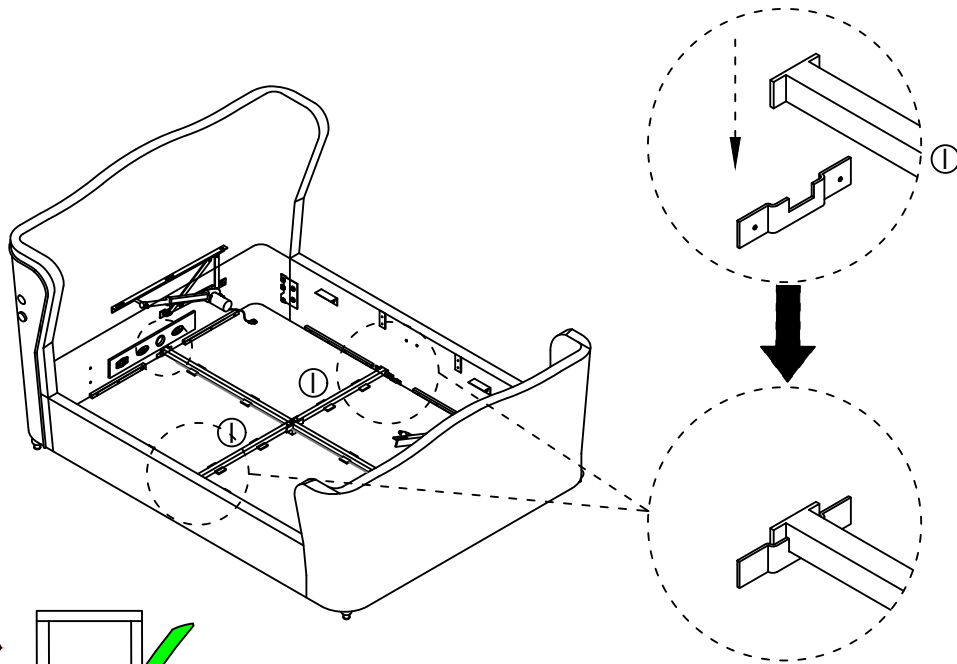
7.



FEATHER & BLACK

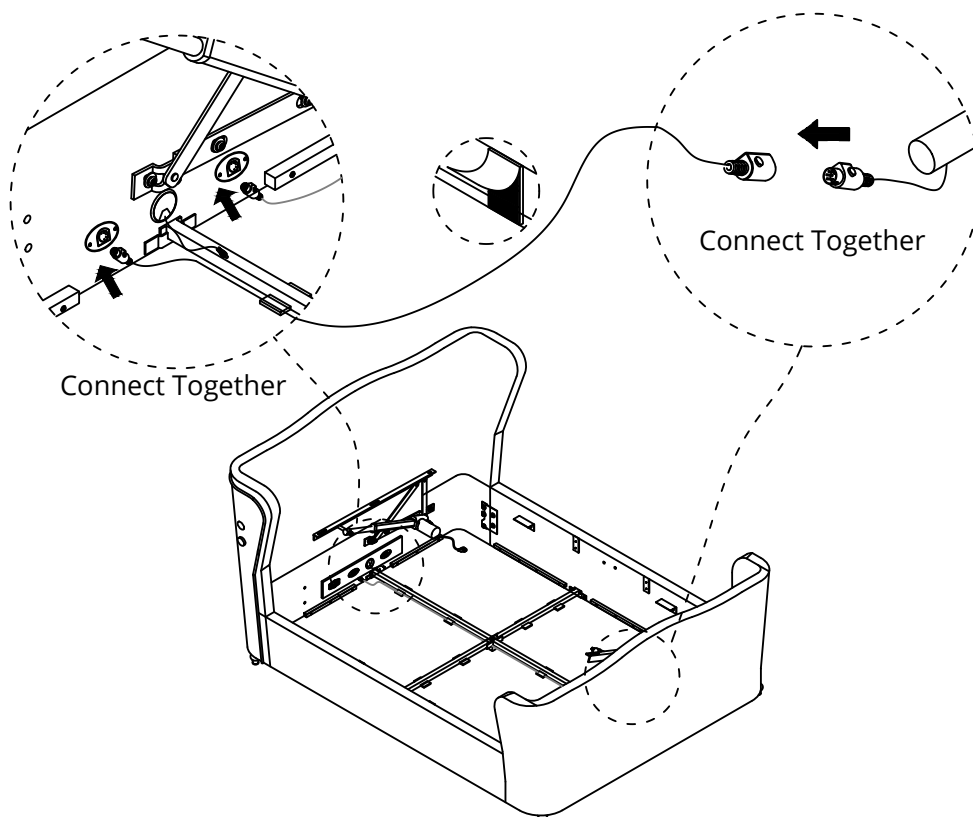
Charlotte Electric Ottoman Bed

8.



Make certain the bed is squared up as shown in the diagram then tighten all bed assembly bolts 100%.

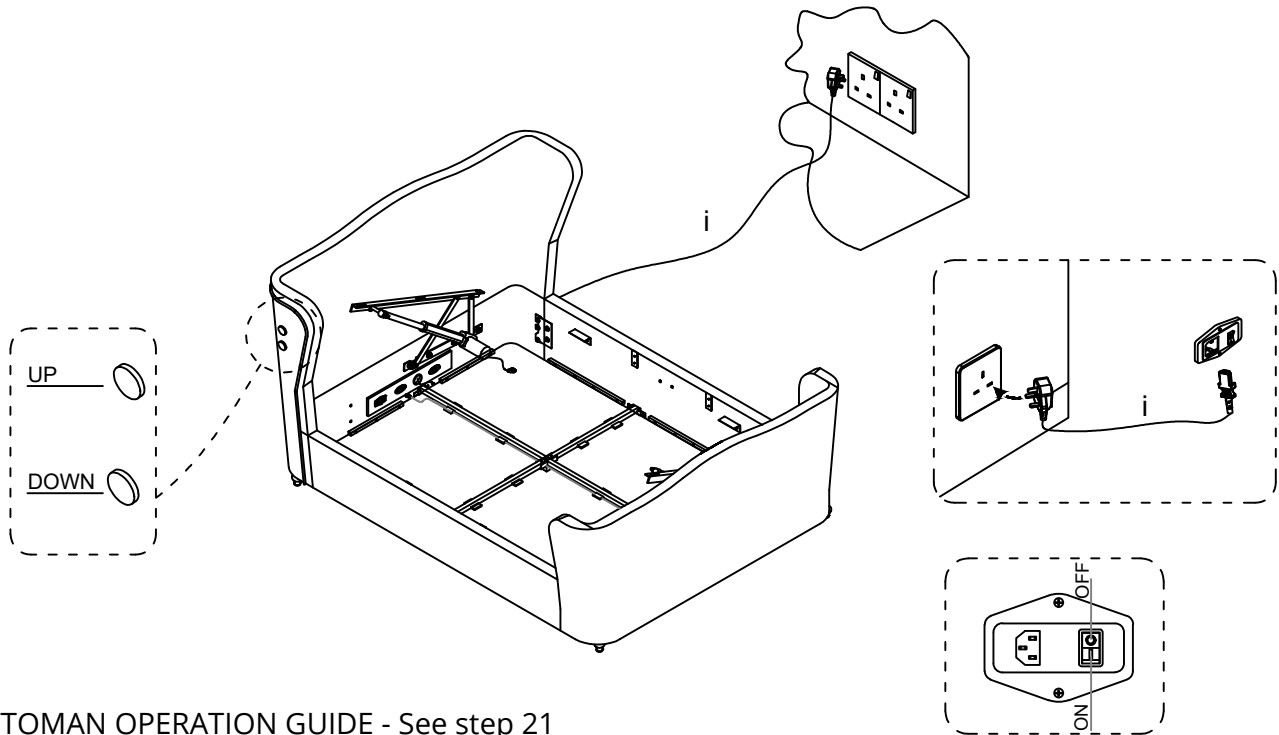
9.



FEATHER & BLACK

Charlotte Electric Ottoman Bed

10. Connect the power cable (i) to your wall socket. For safety the power supply must be earthed.



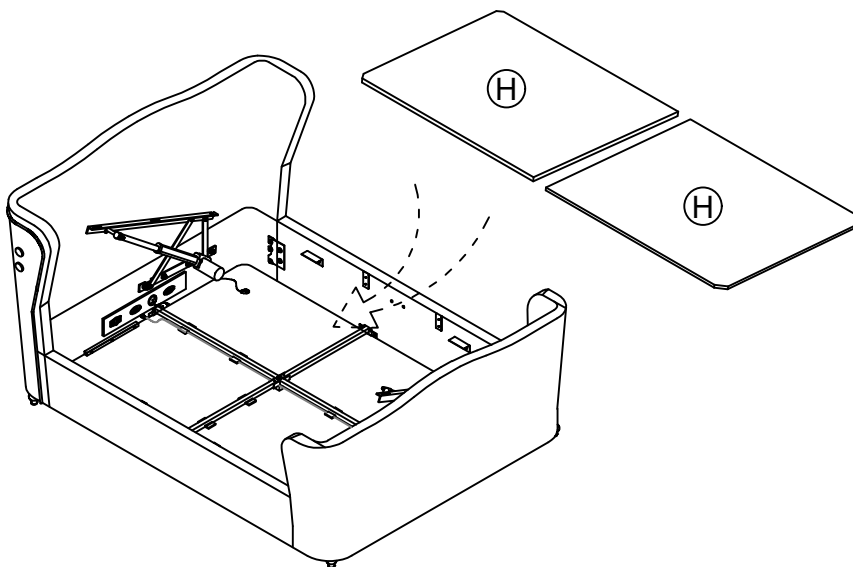
OTTOMAN OPERATION GUIDE - See step 21

For safety, the system is always locked.

On each side of the headboard is a control station with two buttons.

Please refer to Step 21 and read the instructions carefully.

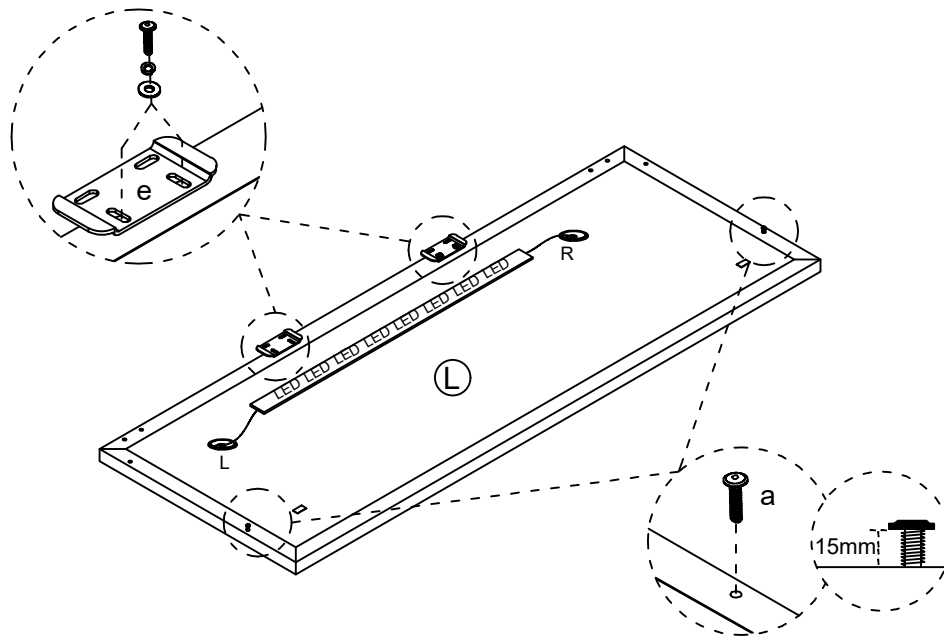
11.



FEATHER & BLACK

Charlotte Electric Ottoman Bed

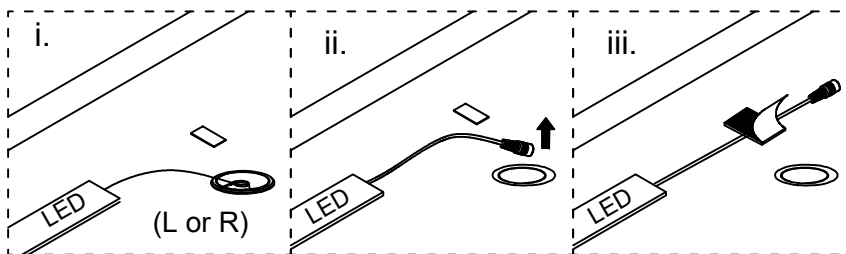
12.



- | | | | | | | | | | |
|---|--|---|--|---|--|---|--|---|--|
| a |  x6 | b |  x4 | c |  x4 | e |  x2 | d |  x1 |
|---|--|---|--|---|--|---|--|---|--|

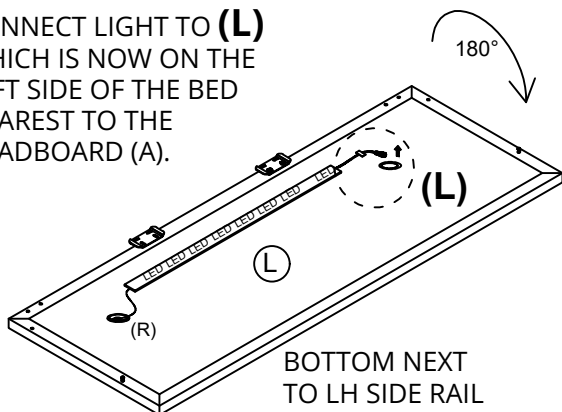
13.

RELEASE THE POWER CABLE FOR THE LIGHT



OPENING FROM THE RIGHT

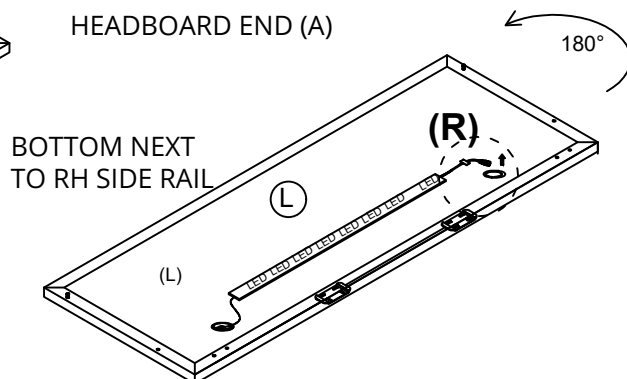
CONNECT LIGHT TO **(L)** WHICH IS NOW ON THE LEFT SIDE OF THE BED NEAREST TO THE HEADBOARD (A).



LEFT SIDE IS LOOKING AT THE BED, STANDING BEHIND THE FOOTBOARD (B).

OPENING FROM THE LEFT

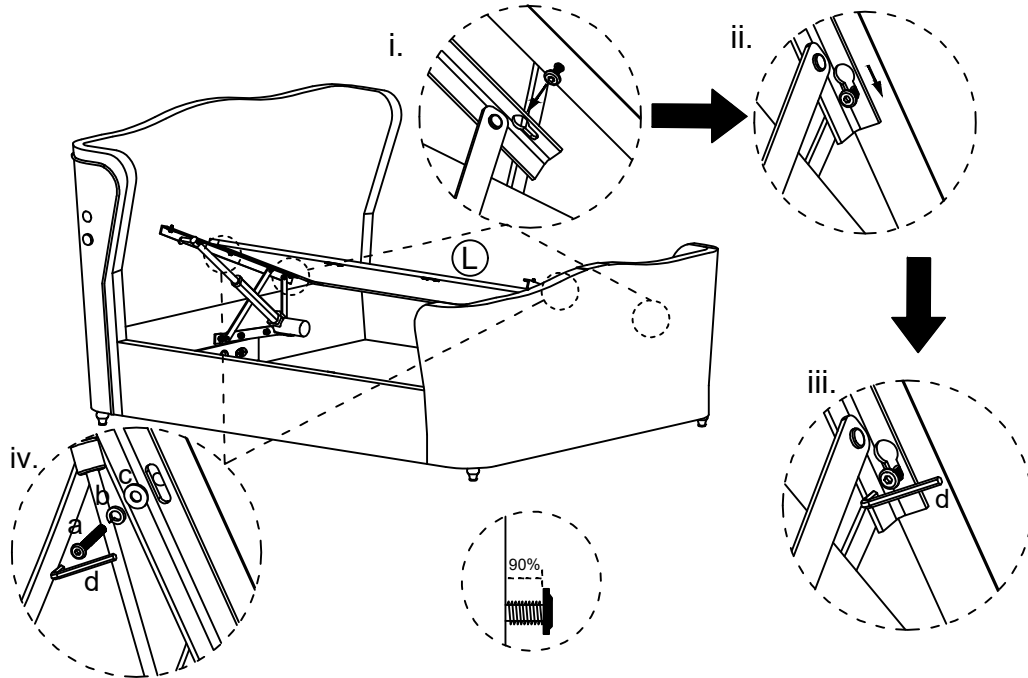
CONNECT LIGHT TO **(R)** WHICH IS NOW ON THE RIGHT SIDE OF THE BED NEAREST TO THE HEADBOARD (A).



FEATHER & BLACK

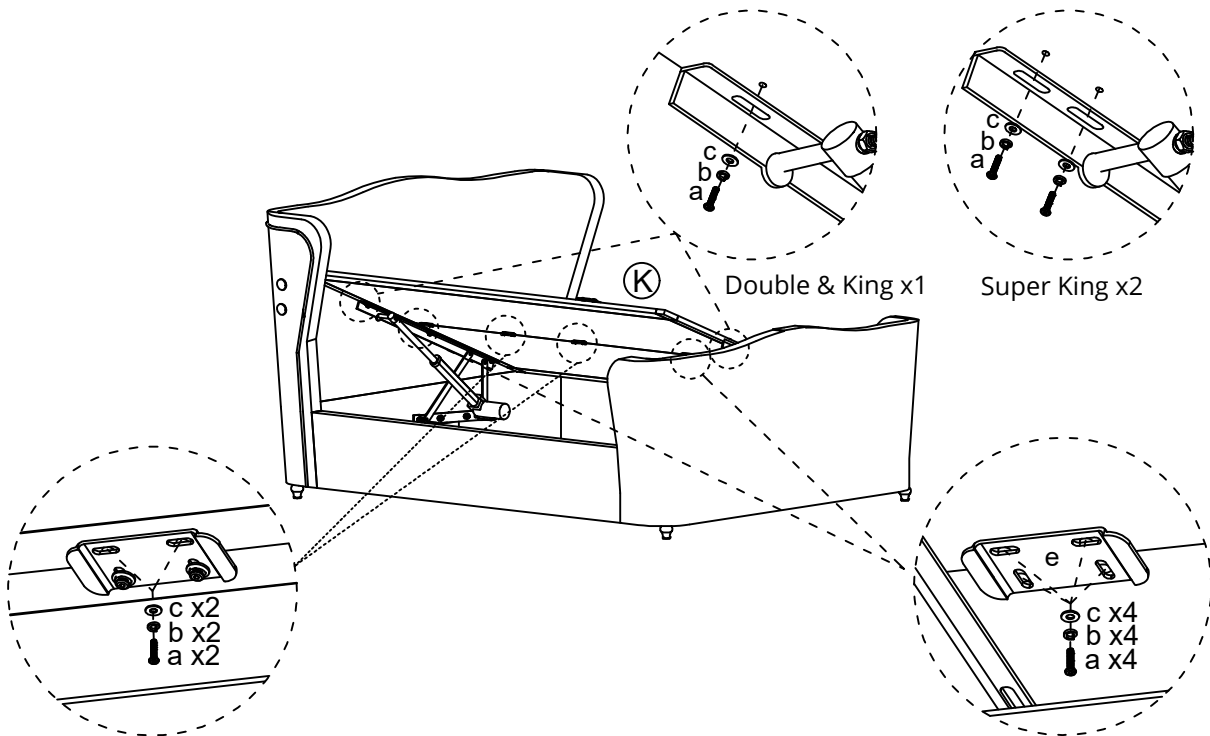
Charlotte Electric Ottoman Bed

14. Fit the mattress base board (L) at the bottom of the support arms.



a		x2	b		x2	c		x2	d		x1
---	--	----	---	--	----	---	--	----	---	--	----

15. Fit the mattress base board (K) at the top of the support arms.



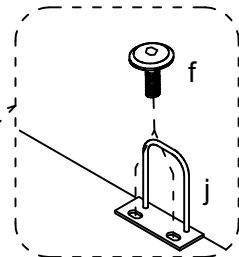
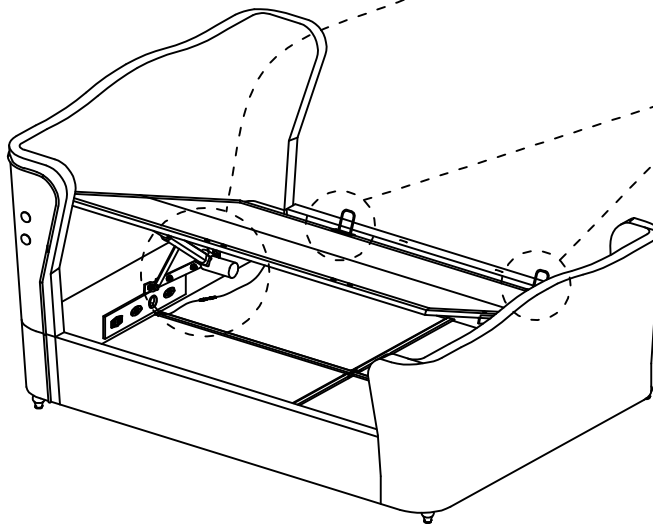
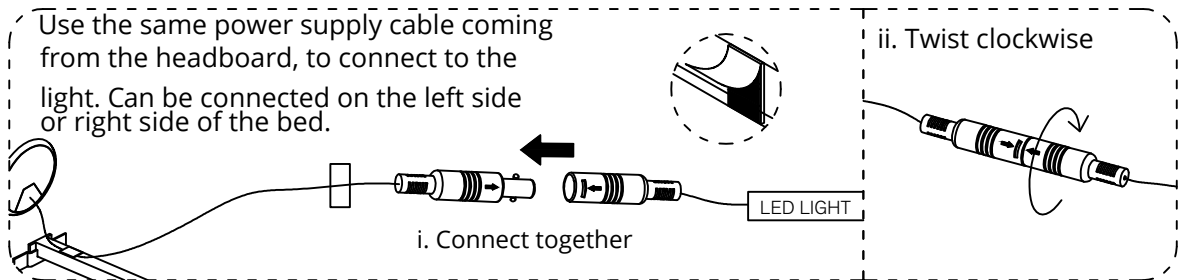
Double & King	a		x14	b		x14	c		x14	e		x2	d		x1
Super King	a		x16	b		x16	c		x16	e		x2	d		x1

FEATHER & BLACK

Charlotte Electric Ottoman Bed

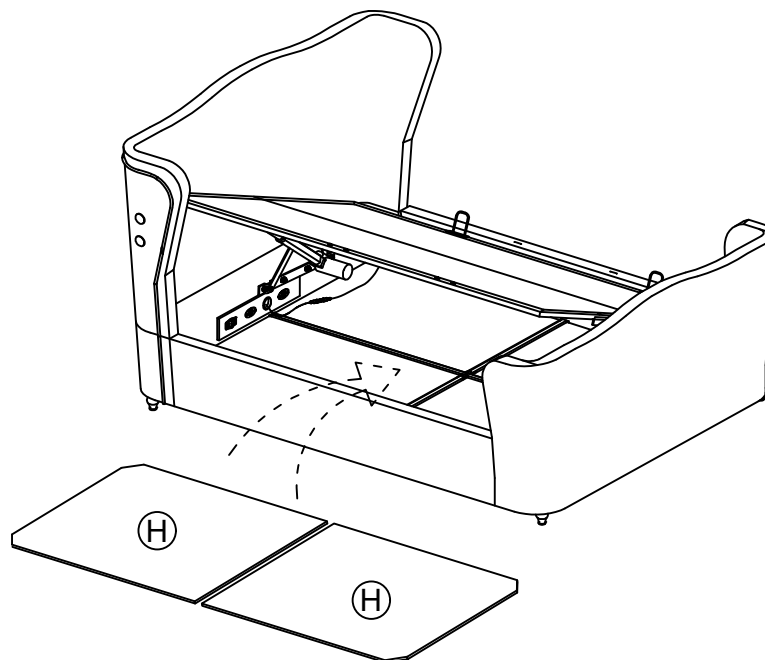
16.

Use the same power supply cable coming from the headboard, to connect to the light. Can be connected on the left side or right side of the bed.



f  x4 j  x2 d  x1

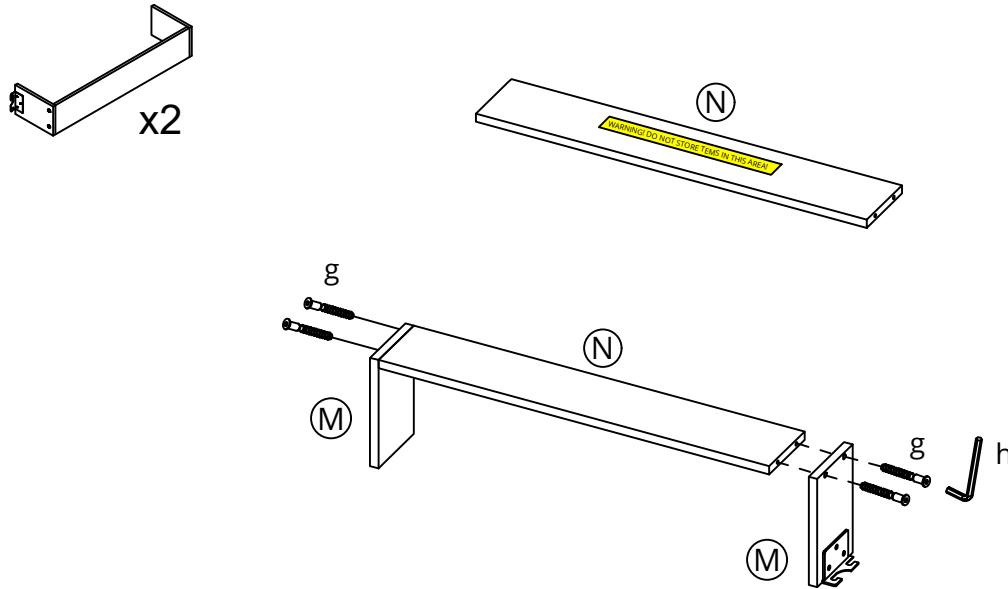
17. Install the storage base boards (H).



FEATHER & BLACK

Charlotte Electric Ottoman Bed

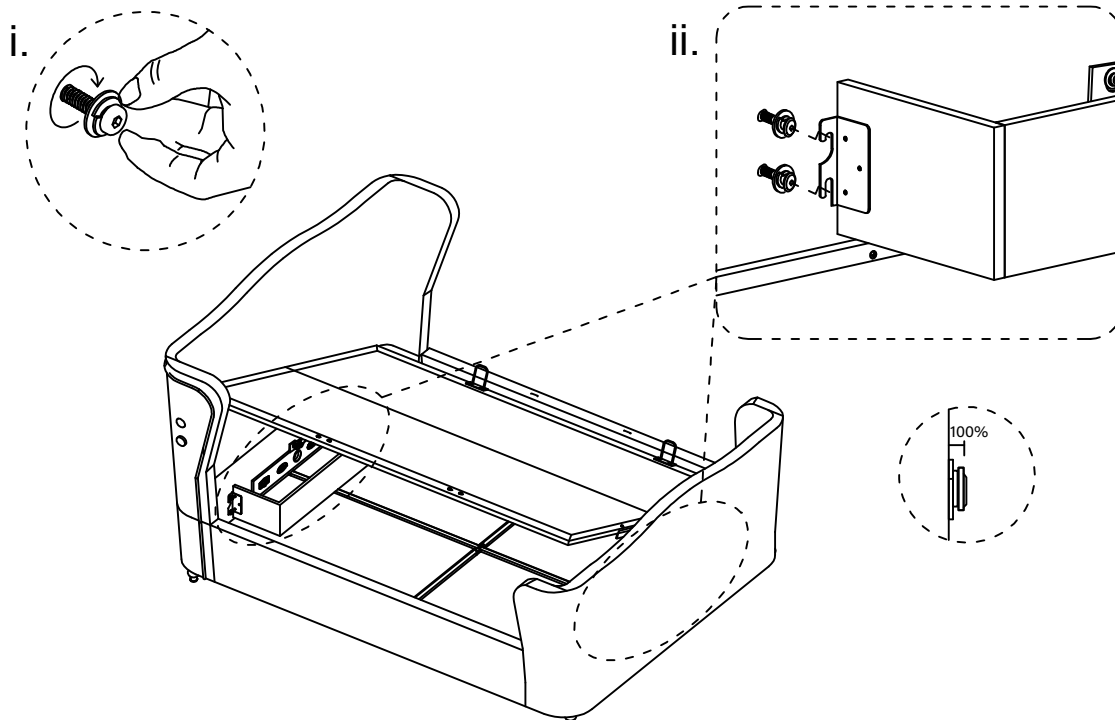
18. Assemble the motor compartment guards.



g x8

h x1

19. Fit the motor guards to the Headboard & Footboard. The guards are to protect the lift motors from damage. Please do not store anything inside the two compartments.



a x8

b x8

c x8

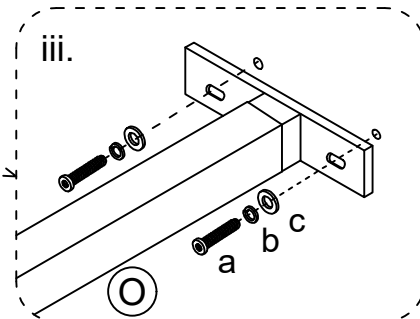
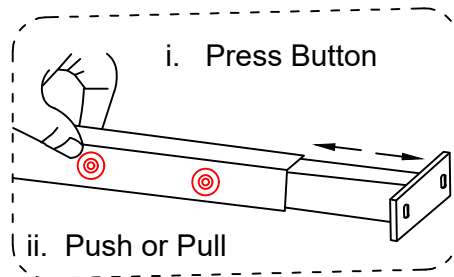
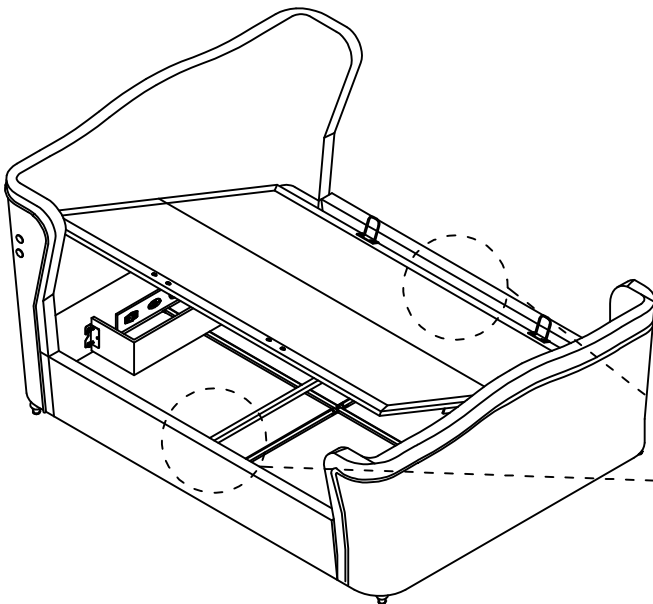
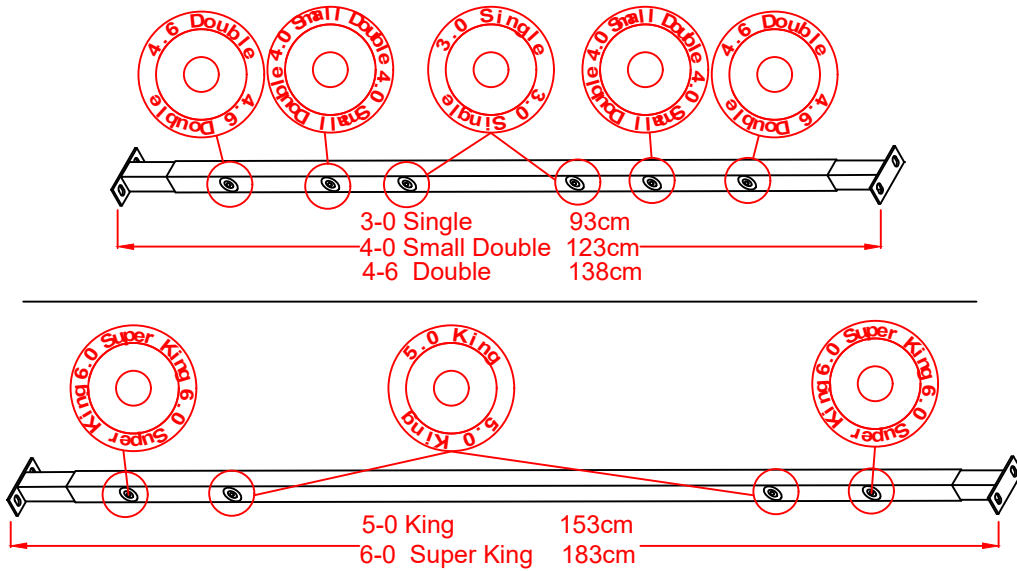
d x1





FEATHER & BLACK

Charlotte Electric Ottoman Bed

20.

If necessary, adjust the Side Rail Cross Bar (O) to length as shown.



- | | | | | | | | | | | | |
|---|---|----|---|---|----|---|---|----|---|---|----|
| a |  | x4 | b |  | x4 | c |  | x4 | d |  | x1 |
|---|---|----|---|---|----|---|---|----|---|---|----|

FEATHER & BLACK

Charlotte Electric Ottoman Bed

21.

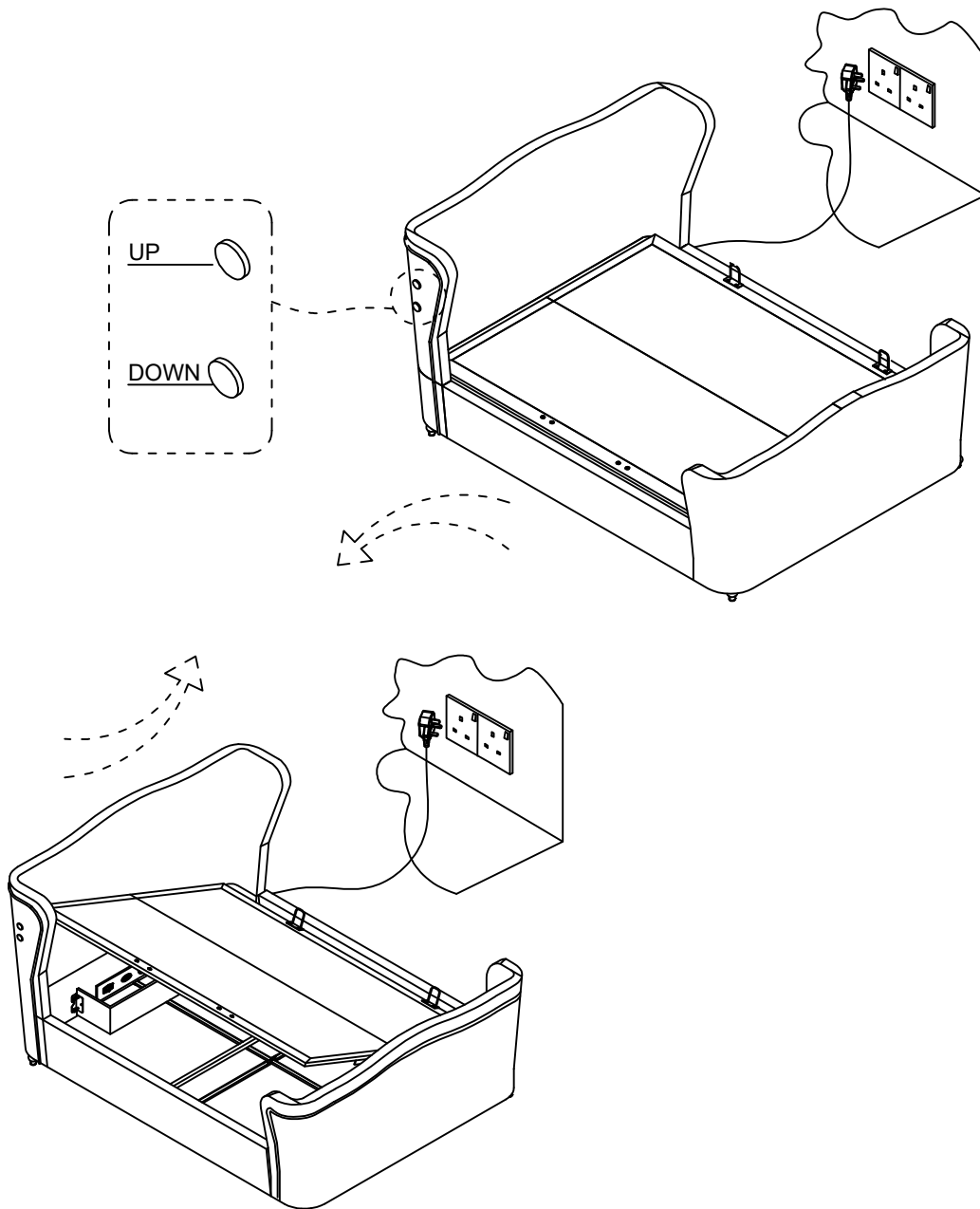
OTTOMAN OPERATION GUIDE

For safety, the system is always locked.

On each side of the headboard is a control station with two buttons as below.
For 3 seconds press both buttons at the same time, you will hear a beep - this means the system is now unlocked.

You can now raise or lower the platform by pressing the appropriate up or down button continuously, remove your finger and the platform will stop.

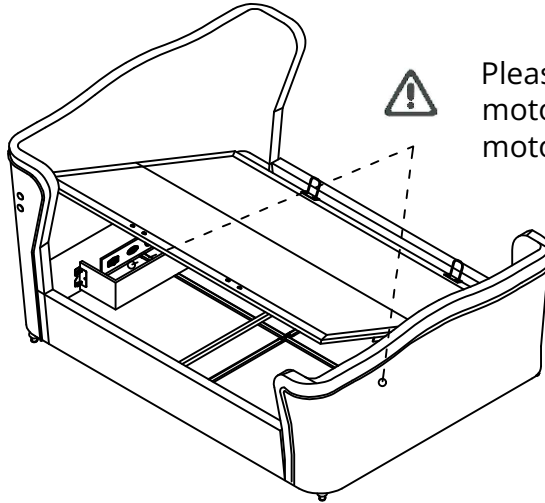
After stopping, in one minute, the system will lock, to start again, please repeat the above procedure.



FEATHER & BLACK

Charlotte Electric Ottoman Bed

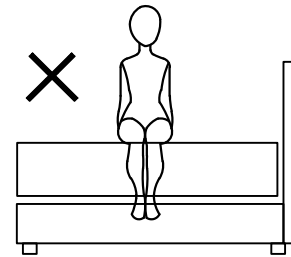
22.



Please do not store anything inside the motor guard compartments or the motor(s) may get damaged.

CAUTION:

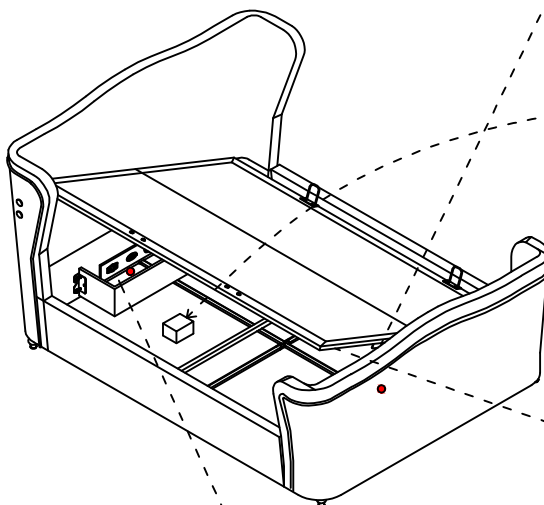
- TO BE OPERATED BY ADULTS ONLY
- KEEP CHILDREN OR PETS AWAY FROM THE STORAGE AREA DO NOT STAND ON THE INTERNAL STORAGE BASE PANELS DO NOT OVERLOAD THE INTERNAL STORAGE AREA
- DO NOT SIT OR LAY ON THE BED WHILST THE LIFT IS IN OPERATION



23.

Warnings - Mattress Base Boards

WARNING! HAZARD - DO NOT REACH INTO THE SPACE BELOW!



WARNING! DO NOT STORE ITEMS IN THIS AREA!




Note: Be very careful what you store under the bed - the top of an item, like a suitcase or a box, must not touch the underside of the mattress base or it may get damaged. Maximum item height is 23.5 cm.

WARNING TO AVOID ACCIDENTS
To access the storage area, the ottoman frame **MUST BE FULLY OPENED** and then **FULLY CLOSED** afterwards.

Ensure the combine bedding and mattress weight is within the recommended weight guidelines.

Adult Operation Only: Not recommended for use by children under the age of 12 years old. Please note ease of operation is dependent on height and strength of user.

Avoid Entrapment: Only unlock the button control when it is safe to do so.

Fully Open Ottoman: Ensure the ottoman is fully open before accessing the storage area.

Avoid Hinge Area: Do not reach into the storage area through the hinge mechanism.

Keep Children and Pets Away: Ensure children and pets stay away from the storage area. Do not stand inside the internal storage area of the bed.

Maintenance - Regularly inspect your bed to ensure it is functioning correctly.

Recommended weight guidance for safe operation:

Bed Size	Min (kg)	Max (kg)
Double	10	80
King	10	80
Super King	15	100

FEATHER & BLACK

Charlotte Electric Ottoman Bed

24.

Technical Specifications

Overall Dimensions (LWH mm)

Double: 2180 x 1570 x 1215

King: 2280 x 1720 x 1215

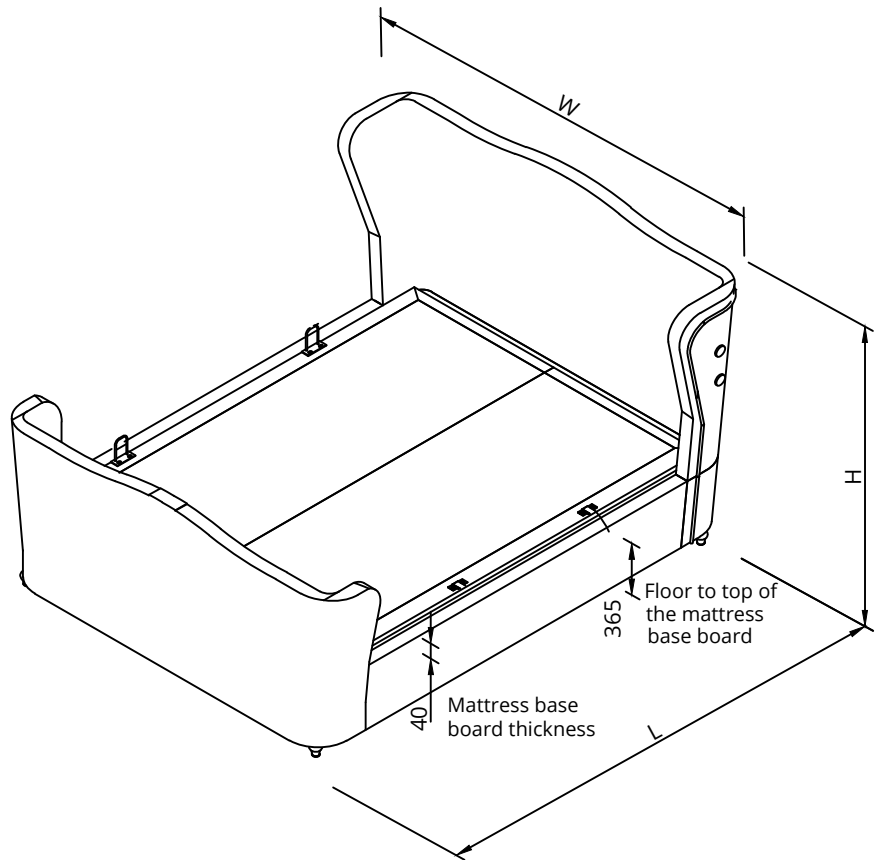
Super King: 2280 x 2020 x 1215

Storage Dimensions (LWH mm)

Double: 1930 x 1380 x 235

King: 2030 x 1530 x 235

Super King: 2030 x 1830 x 235



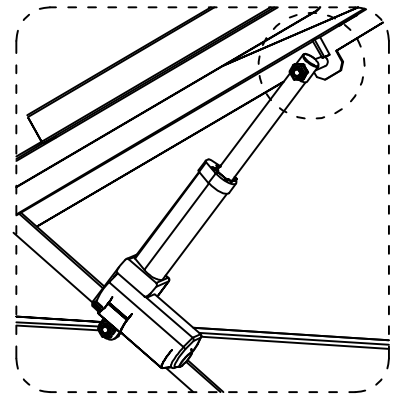
25a.

Emergency Lowering

In an emergency such as a power cut, when the bed is already in the raised position, the bed frame can be lowered by hand. Fit the hand straps as in Step 25b & 25c.

FOR SAFETY, THIS REQUIRES TWO PEOPLE:

- Unplug the power supply plug from the wall. Remove the mattress & bedding.
- First person supports the mattress base board - if low down, it can be lifted to a working level - if necessary use a suitable prop under the frame for safe working.
- Second person removes the two UPPER M10 motor nuts with the 17mm spanner supplied in the hardware kit.
- When doing this, do not stand inside the bed on the storage base boards.
- Push the motor link off the pivot pins evenly, gently laying them on top of the storage base-board.
- The mattress base is then gently lowered into it's lower resting position using the hand straps - keep your hands clear of the side rails when lowering the base. It is heavy so be careful...



z  x1

If it is not possible for you to raise or lower the bed,
PLEASE CALL CUSTOMER SERVICES on 01494 415 399

FEATHER & BLACK

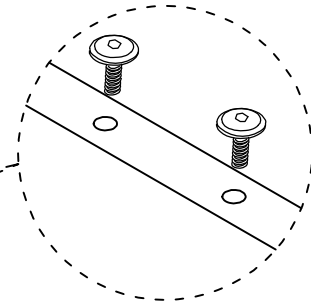
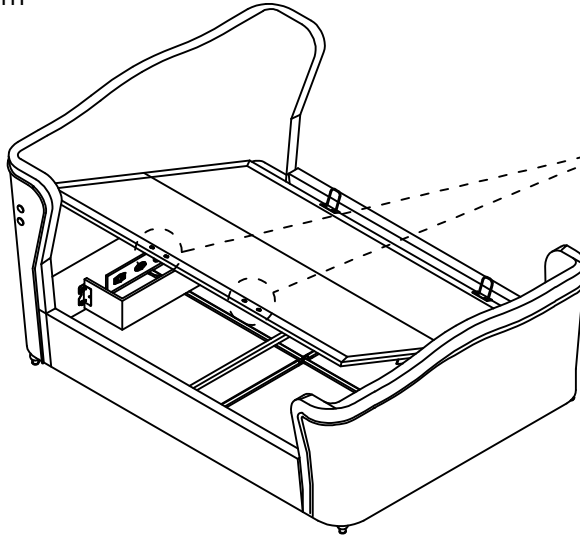
Charlotte Electric Ottoman Bed

25b. Hardware pre-fitted to the Mattress Base Board-Upper (K)



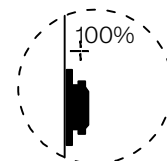
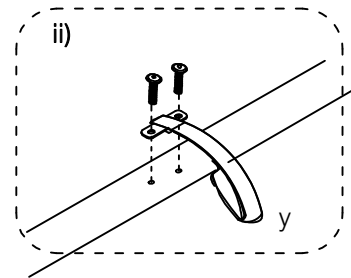
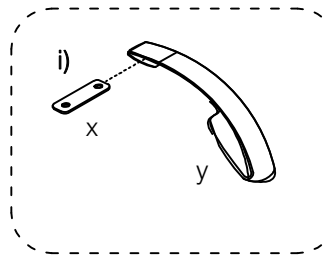
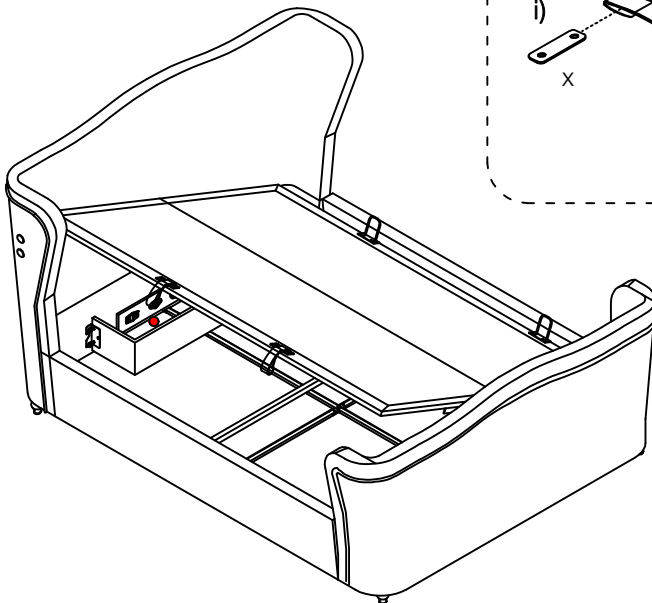
Big Head Bolts M8x20mm

Remove the bolts from the boards



d  x1

25c. **In an emergency, or in case of power failure - please follow these instructions and fit the two hand straps.**



Finally, tighten all bolt sets 100% using Allen key (d).

x  x2

y  x2

d  x1

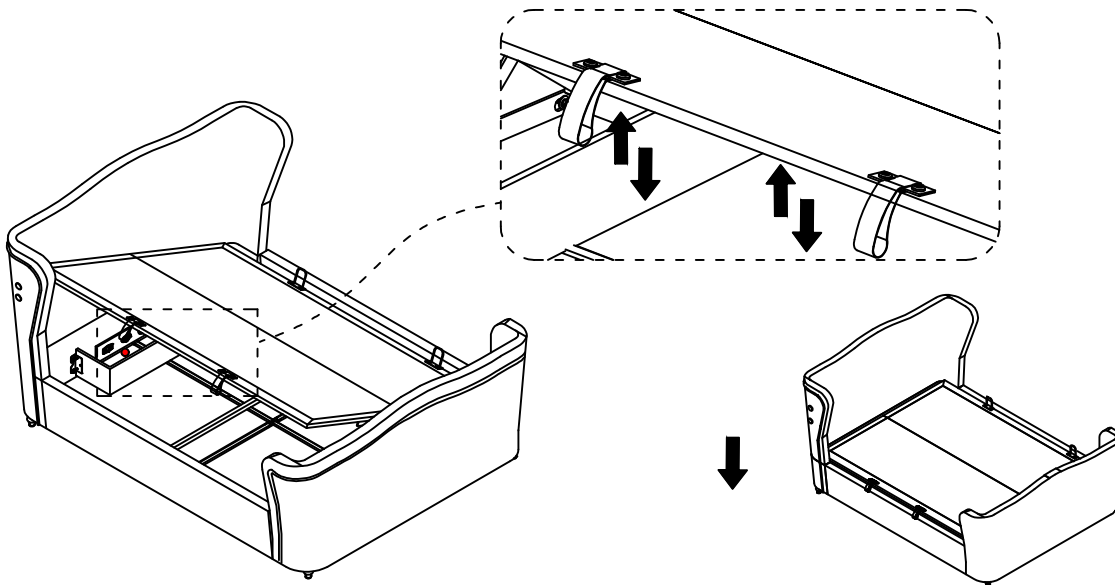
FEATHER & BLACK

Charlotte Electric Ottoman Bed

25d.



Remove the mattress & bedding and follow the instructions in step 25e



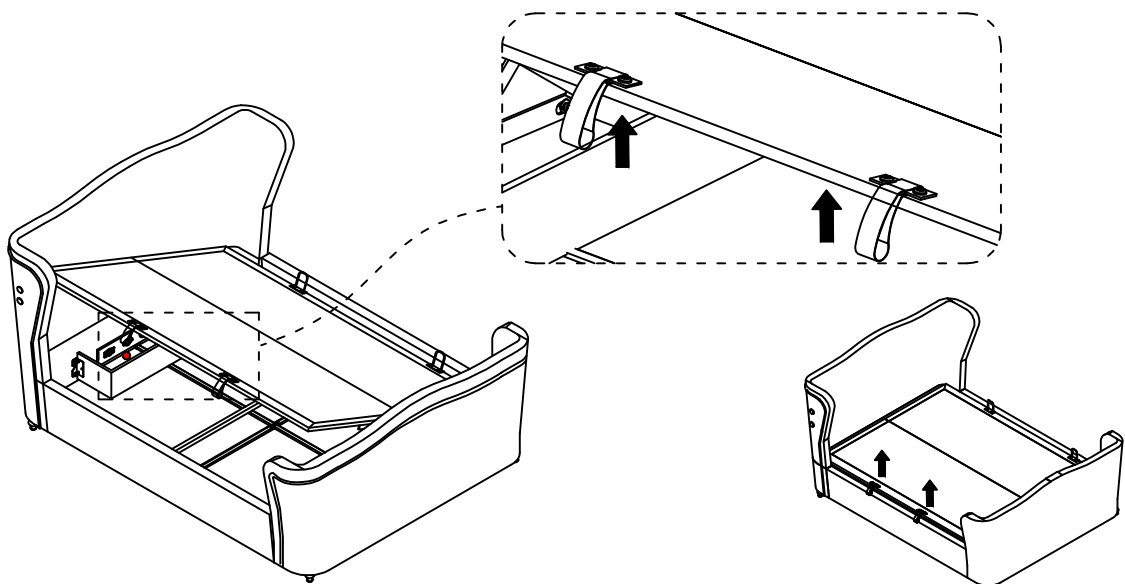
25e.

Emergency Lifting

When emergency access is required to the storage area, such as if the frame does not lift or there is a power cut, please follow steps 25b, 25c & 25d.



CAUTION: Lift the bed base using the fabric hand straps and when raised, please make sure it is well supported by a 2nd person. Once access is gained and goods retrieved, lower the bed base back down to its closed position using the hand straps.



FEATHER & BLACK

featherandblack.com