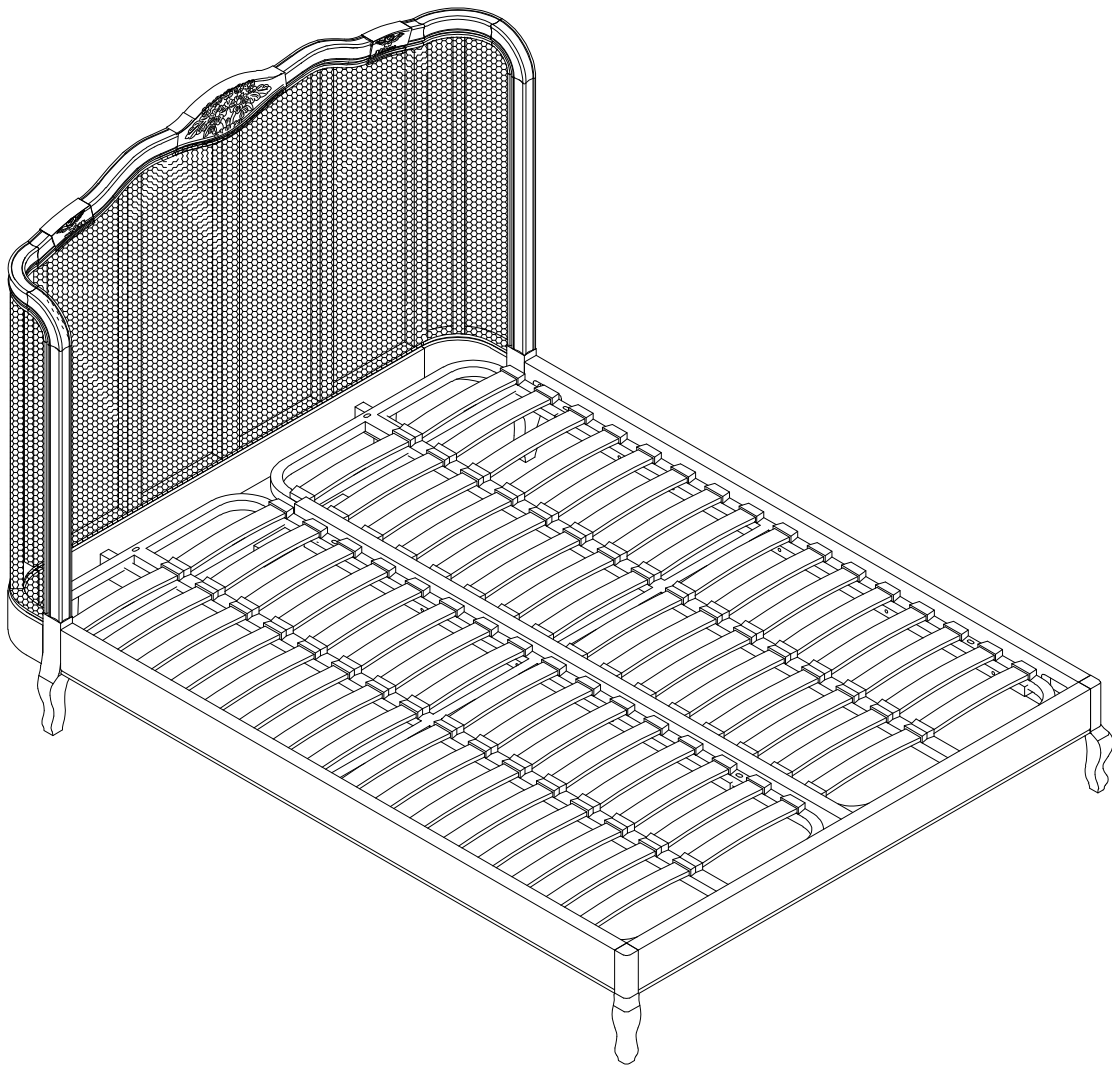


FEATHER & BLACK

CHAMONIX DOUBLE BED ASSEMBLY GUIDE



WELCOME TO THE FEATHER & BLACK COMMUNITY.

Since 2004, we've been dedicated to creating beautifully crafted bedroom furniture that's made to last. We believe your home is a reflection of you, that's why every piece we create is thoughtfully designed and carefully finished.

We hope your new addition feels right at home. If you need anything at all, our team is here to help – simply call 01494 415 399 (option 2), email customerservices@featherandblack.com, or chat to us live at [featherandblack.com](https://www.featherandblack.com).

We love seeing our designs styled in real homes – so if you're happy to share, tag us on Instagram [@featherandblack](https://www.instagram.com/featherandblack) and use [#featherandblack](https://www.instagram.com/featherandblack).

From our home to yours, thank you for choosing furniture that's made to be lived in and loved for life.

THE FEATHER & BLACK TEAM

PLEASE RETAIN THESE ASSEMBLY INSTRUCTIONS FOR FUTURE USE

FEATHER & BLACK

CHAMONIX DOUBLE BED

BEFORE YOU START

Thank you for purchasing this Chamonix Double Bed.

Please read these instructions fully prior to assembly to familiarise yourself with the various stages of construction. Carefully open all packs supplied and check the contents against the parts and fittings check list.

Do not destroy any of the packaging until you are certain that you have all the necessary parts for the assembly.

This item is heavy once assembled. Please try to assemble the item as close as possible to the point of use. Take care when moving the item to avoid personal injury or damage to the product and always lift rather than drag.

There are small components used in the construction of this furniture as well as plastic packaging, these should be kept away from young children whilst assembling.

PRODUCT SAFETY

All assembly fastenings should always be tightened properly, and care should be taken to ensure that no fittings are loose.

Periodically check and ensure that all components are in their proper position, free from damage, and that all connectors are tight.

Please note depending on the lighting, positioning and surroundings of your room, the shade of the colour can sometimes appear slightly different. Over a period of time the colour might lighten or fade slightly due to light exposure.

PRODUCT CARE

To clean, slightly moisten cloth with water and wipe surfaces. A damp cloth holds dust and cloth. Do not use abrasives or cleaning products which may contain ammonia or solvents.

NUMBER OF PEOPLE REQUIRED TO ASSEMBLE

Two people to assemble the product and two people to lift in to position.



TIME TO ASSEMBLE



(30 minutes)

NECESSARY TOOLS



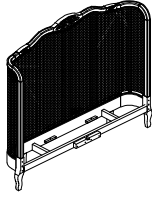
Tape measure

FEATHER & BLACK

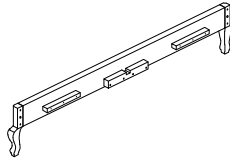
CHAMONIX

DOUBLE BED

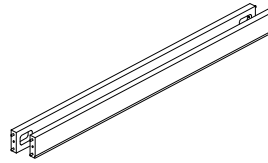
COMPONENTS SUPPLIED (NOT ACTUAL SIZE)



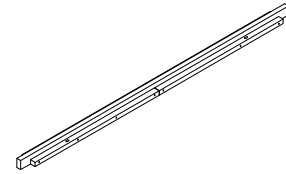
Ref: A - Headboard
Quantity: 1pc
Box Number: 1



Ref: B - Footboard
Quantity: 1pc
Box Number: 1

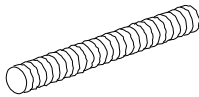


Ref: C - Side Rails
Quantity: 2pcs
Box Number: 2

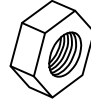


Ref: D - Center Support
Quantity: 1pc
Box Number: 2

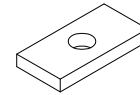
FIXTURES AND FITTINGS SUPPLIED (NOT ACTUAL SIZE)



Ref: E - Bolt
Dimension (mm): M8x70
Quantity: 4pcs
Box Number: 1



Ref: F - Hex Nut
Dimension (mm): M8x15
Quantity: 4pcs
Box Number: 1



Ref: G - Metal plate
Dimension (mm): 40x20x5
Quantity: 4pcs
Box Number: 1



Ref: H - OPEN WRENCH
Dimension (mm): 85x27
Quantity: 1pc
Box Number: 1



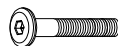
Ref: I - Allen key
Dimension (mm): M4x110
Quantity: 2pcs
Box Number: 1



Ref: J - Sleeve Nut
Dimension (mm): M6x20
Quantity: 8pcs
Box Number: 1



Ref: K - Flat washer
Dimension (mm): M6 (Ø16)
Quantity: 8pcs
Box Number: 1



Ref: L - Bolt
Dimension (mm): M6x55
Quantity: 8pcs
Box Number: 1



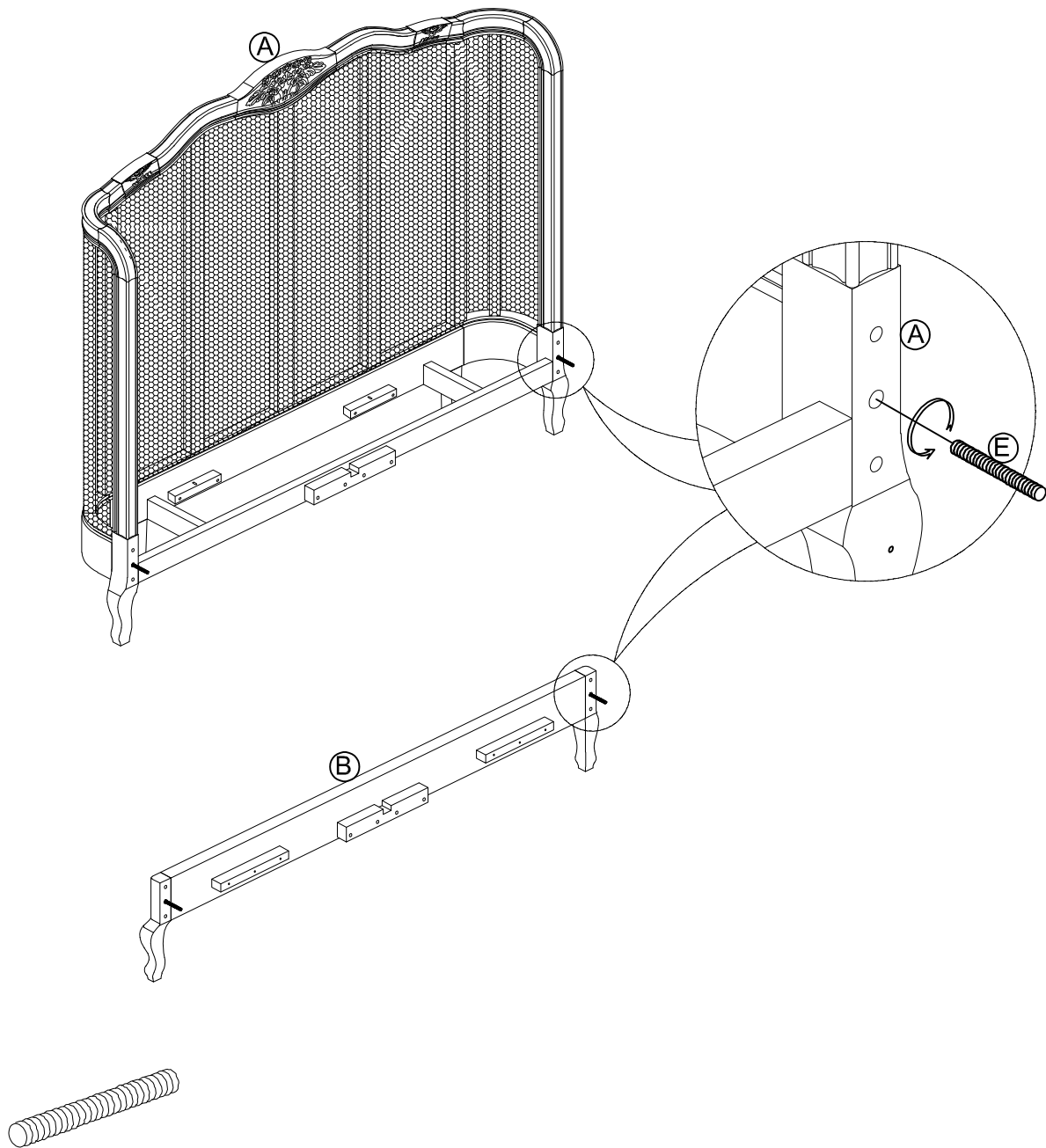
FEATHER & BLACK

CHAMONIX

DOUBLE BED

1.

Attach the bolts (E) to headboard (A) and footboard (B) as shown.



E: Bolt M8x70 (mm)

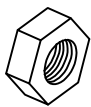
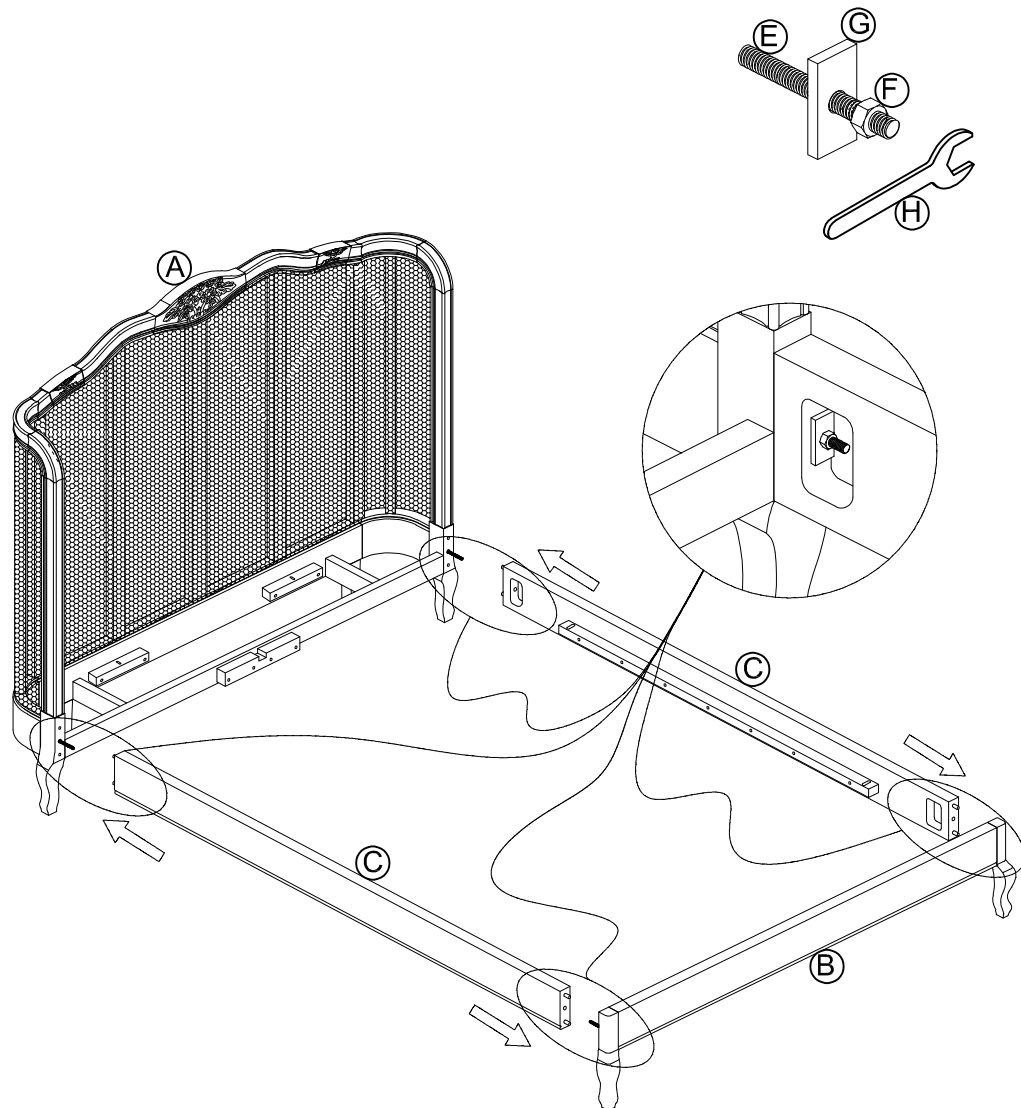
FEATHER & BLACK

CHAMONIX

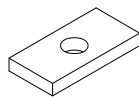
DOUBLE BED

2.

Attach siderails (C) to headboard (A) and footboard (B) by using Metal Plate (G), Hex nut (F) and Open wrench (H) as shown.



F: Hex nut M8x15 (mm)



G: Metal plate 40x20x5 (mm)



H: Open wrench 85x27(mm)

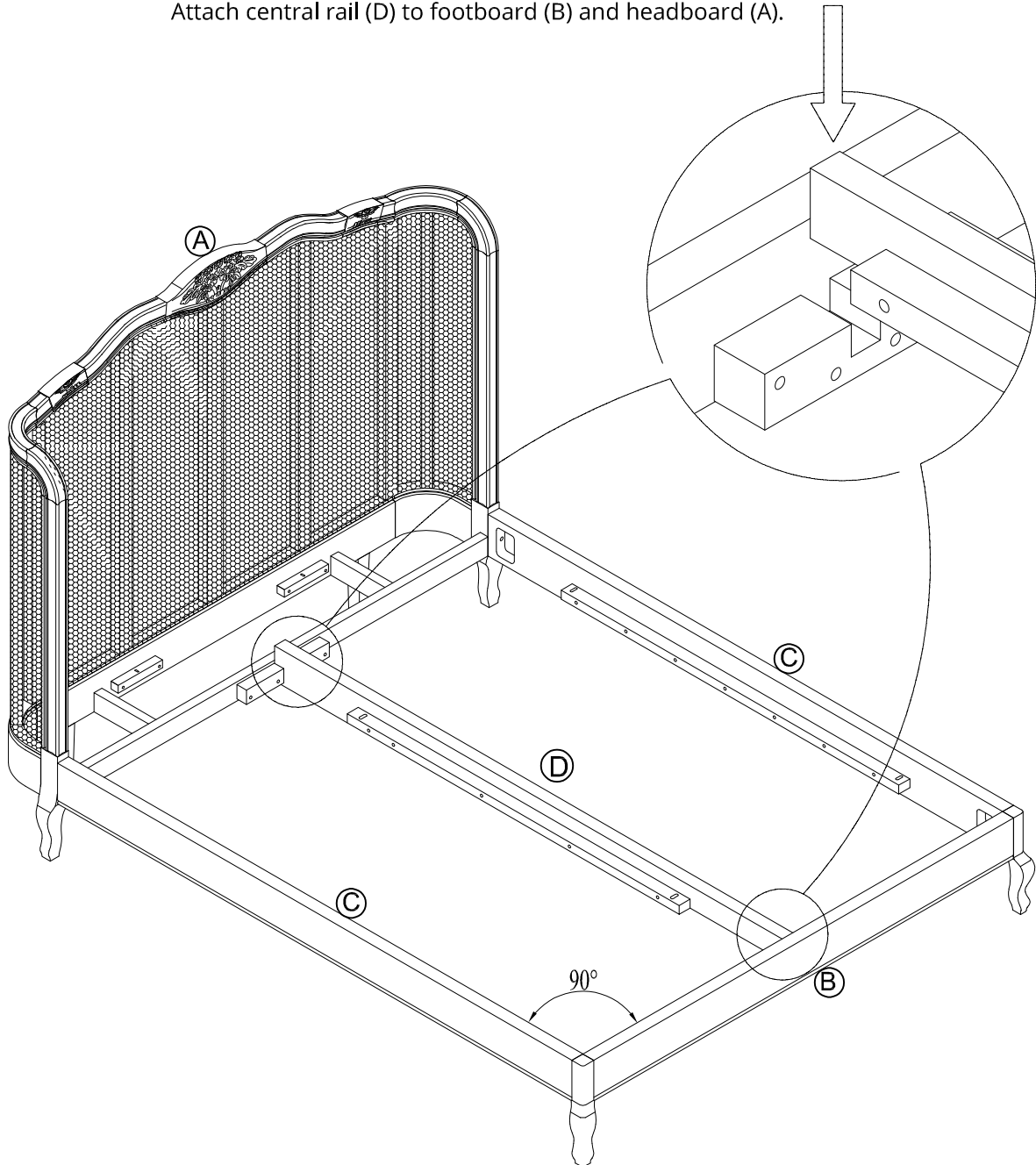
FEATHER & BLACK

CHAMONIX

DOUBLE BED

3.

Attach central rail (D) to footboard (B) and headboard (A).



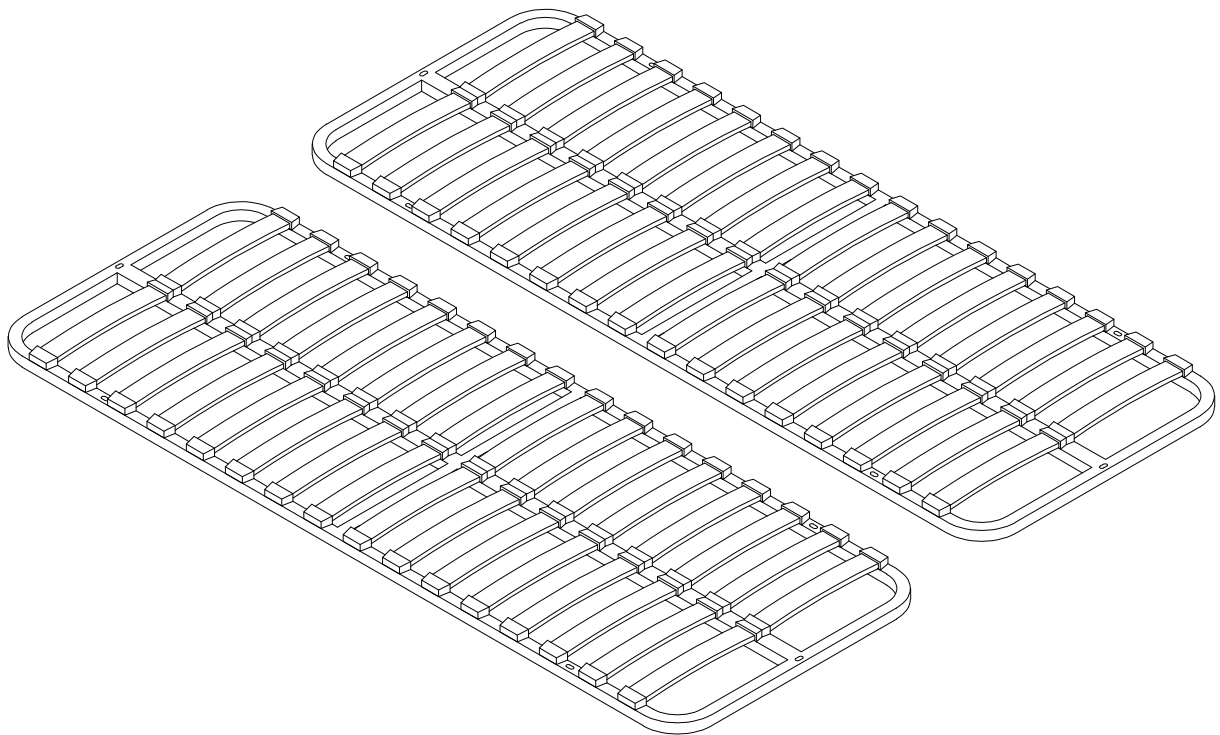
FEATHER & BLACK

CHAMONIX

DOUBLE BED

Product size: Double : 30mm H x 1920mm W x 667mm D =2pcs

Sprung slat system (Supplied Separately)



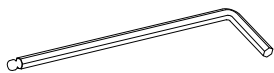
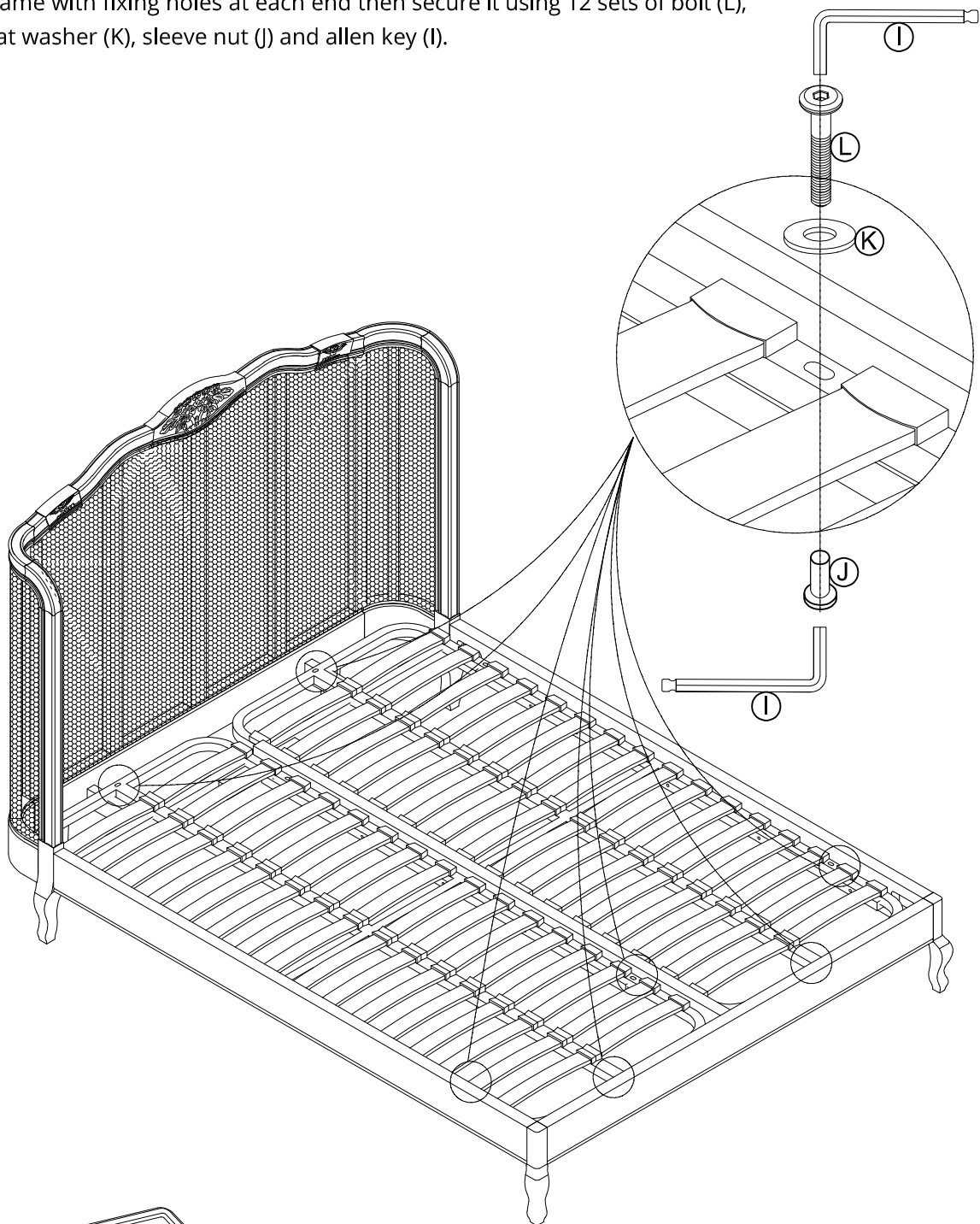
FEATHER & BLACK

CHAMONIX

DOUBLE BED

4.

Position the frame evenly onto the slat supports on each rail. Align the frame with fixing holes at each end then secure it using 12 sets of bolt (L), flat washer (K), sleeve nut (J) and allen key (I).



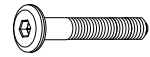
I: Allen key M4x110 (mm)



J: Sleeve Nut M6x20 (mm)



K: Flat washer M6 (Ø16mm)



L: Bolt M6x55 (mm)

FEATHER & BLACK

featherandblack.com