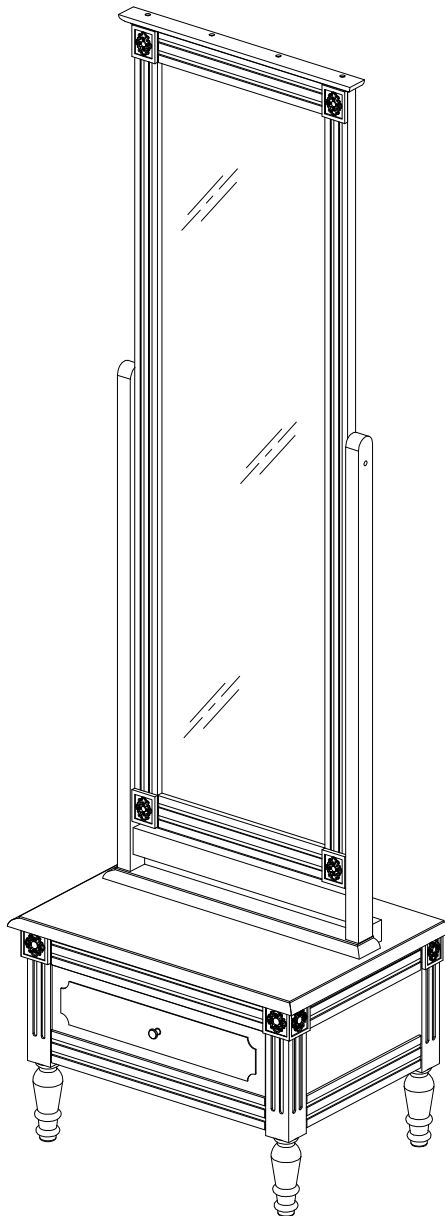


# feather&black

## Casterton Storage Mirror - Assembly Instruction

Product size

H185 x L62 x W45cm



If you require any advice during assembly, please call our customer service team on  
01243 380600

**Please retain these assembly instructions for future use**

# feather&black

## Casterton Storage Mirror - Assembly Instruction

### Before you start

#### Thank you for purchasing this Casterton Storage Mirror

Please read these instructions fully prior to assembly to familiarise yourself with the various stages of construction. Carefully open all packs supplied and check the contents against the parts and fittings check list.

Do not destroy any of the packaging until you are certain that you have all the necessary parts for the assembly.

This item is heavy once assembled. Please try to assemble the item as close as possible to the point of use. Take care when moving the item to avoid personal injury or damage to the product and always lift rather than drag.

There are small components used in the construction of this furniture as well as plastic packaging, these should be kept away from young children whilst assembling.

#### Product Safety

All assembly fastenings should always be tightened properly, and care should be taken to ensure that no fittings are loose.

Periodically check and ensure that all components are in their proper position, free from damage, and that all connectors are tight.

Please note depending on the lighting, positioning and surroundings of your room, the shade of the colour can sometimes appear slightly different. Over a period of time the colour might lighten or fade slightly due to light exposure.

#### Product Care

To clean, slightly moisten cloth with water and wipe surfaces. A damp cloth holds dust and prevents damage. repeat with a dry, soft, lint-free cloth. Do not use abrasives or cleaning products which may contain ammonia or solvents.

#### Number of people required to assemble

One people to assemble the product and two people to lift in to position.



#### Time to assemble



10 Minutes

#### Necessary tools



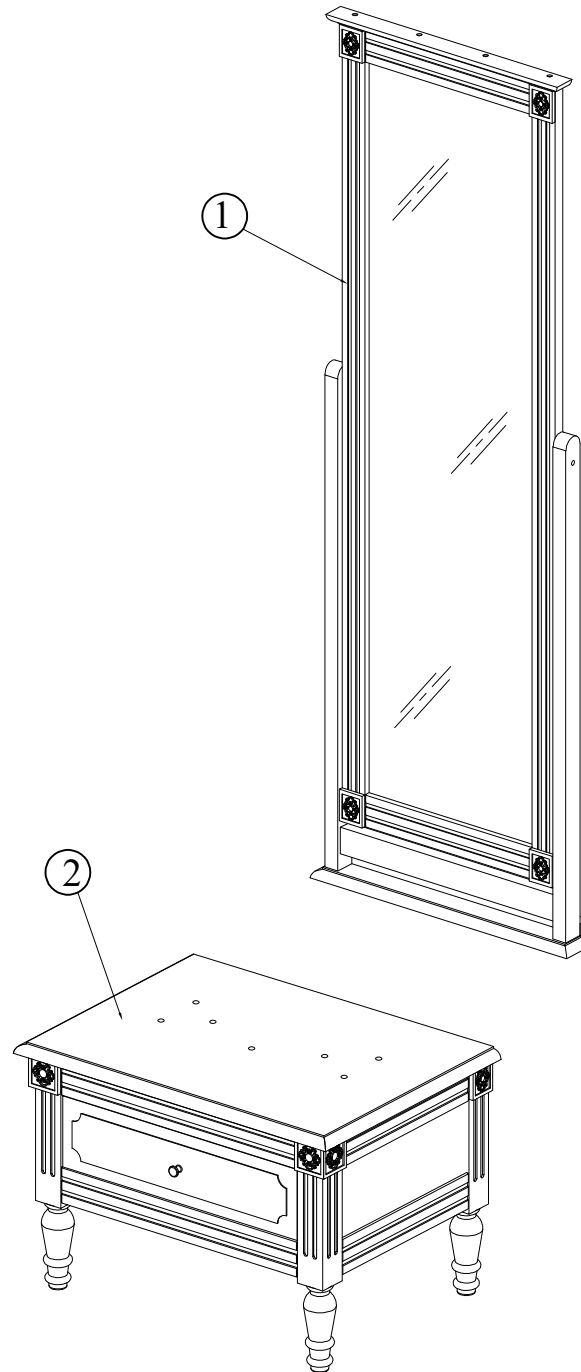
#### Missing parts or faulty products

If you are missing any fixtures or fittings during assembly, or a part is unfortunately faulty please call our customer service team on 01243380600

# feather&black

## Casterton Storage Mirror - Assembly Instruction

Components supplied (not actual size)

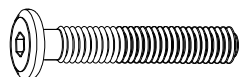


- |                               |              |
|-------------------------------|--------------|
| (1) : <b>Frame Mirror</b>     | Qty : x 1pc  |
| (2) : <b>Base with drawer</b> | Qty : x 1 pc |

# feather&black

## Casterton Storage Mirror - Assembly Instruction

### Fixtures and fittings supplied (not actual size)



(A) : Allen Bolt  
M6x35mm  
Qty : x 5



(B) : Spring Washer  
Ø14 x 1.5mm  
Qty : x 5



(C) : Flat Washer  
Ø6/Ø16 x 1.5mm  
Qty : x 5



(D) : Allen Key  
Qty : x 1



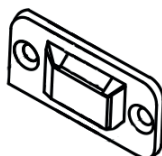
(E) : Plastic Wall Fitting  
Qty : x 1



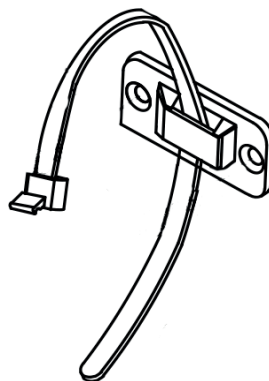
(F) : Wall Screw  
M4 x 45mm  
Qty : x 2



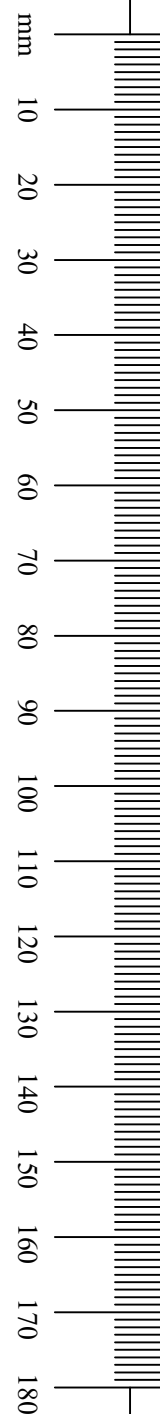
(G) : Bracket Screw  
M4 x 25mm  
Qty : x 2



(H) : Wall Bracket  
Qty : x 1



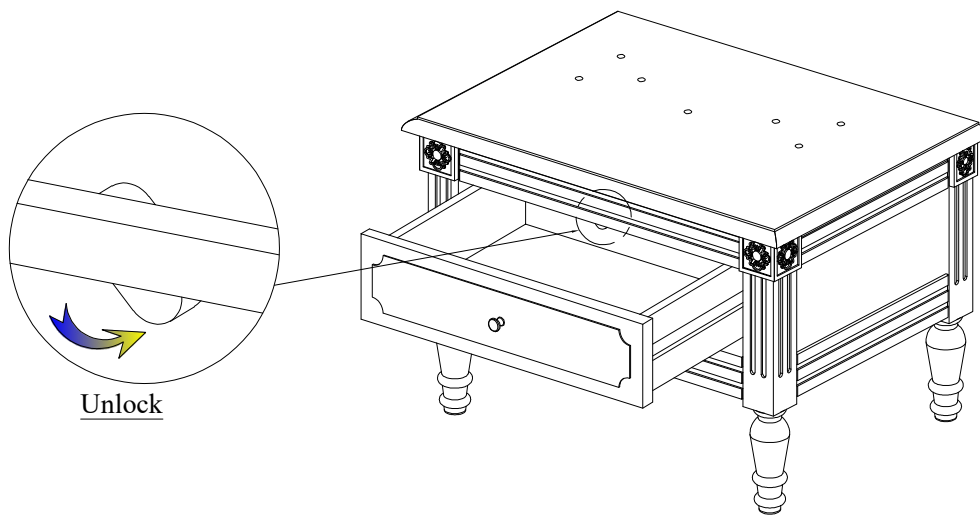
(J) : Furniture Strap  
Qty : x 1



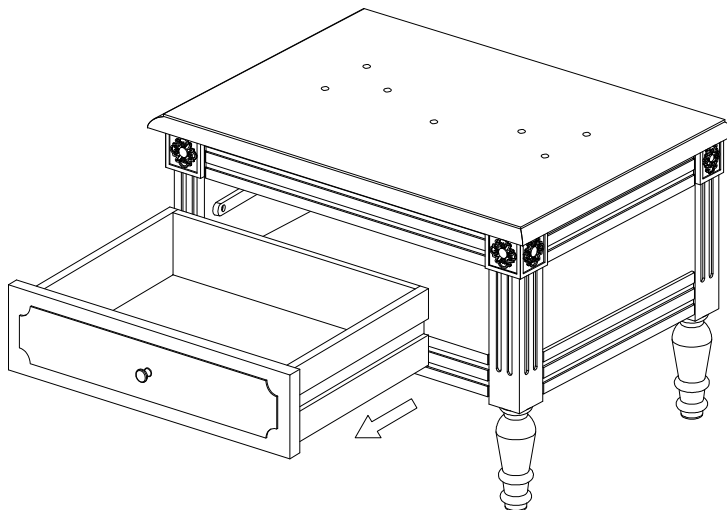
# feather&black

## Casterton Storage Mirror - Assembly Instruction

Step 1: Turn the block wood to unlock.



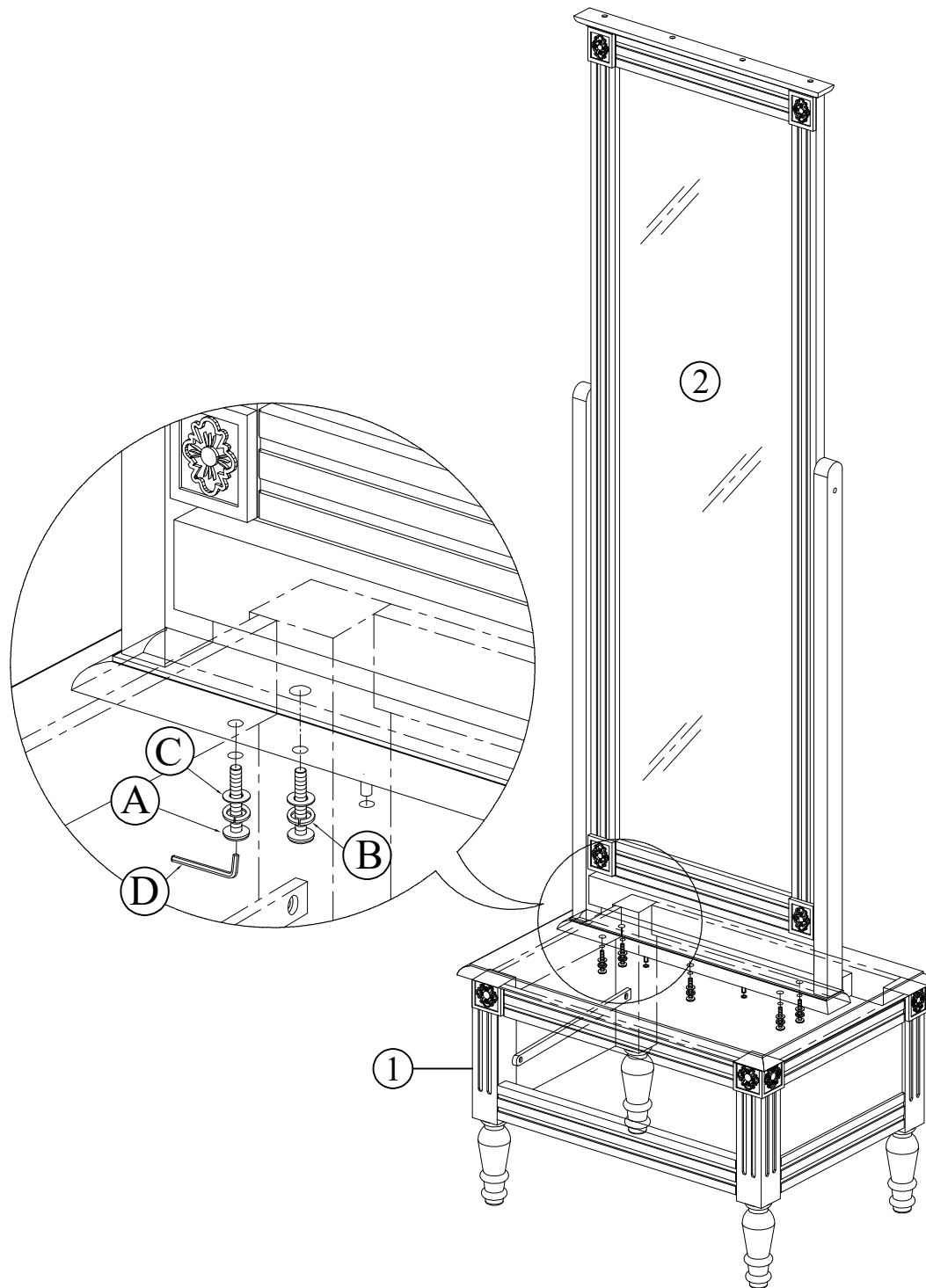
Step 2: Take the drawer out



# feather&black

## Casterton Storage Mirror - Assembly Instruction

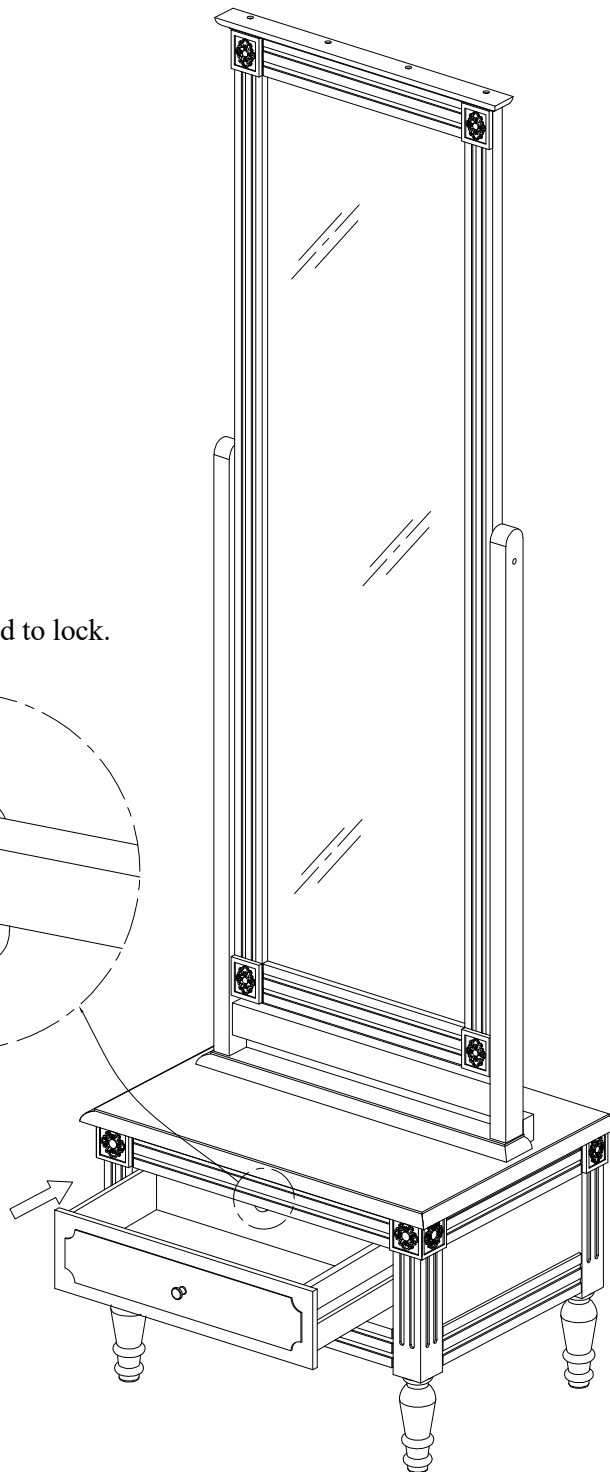
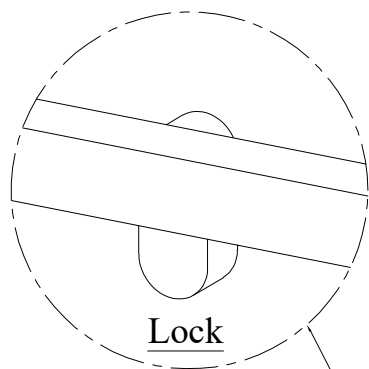
Step 3: Place the Frame Mirror (1) to Base with drawer (2) prevent finish from scratching. Attach the Frame Mirror (1) to the Base with drawer (2) by using Spring washer (B) Flat washer (C), Allen Bolt (A) and fully tighten all Bolts by using Allen Key (D).



# feather&black

## Casterton Storage Mirror - Assembly Instruction

Step 4: Put the drawer in  
and turn the block wood to lock.

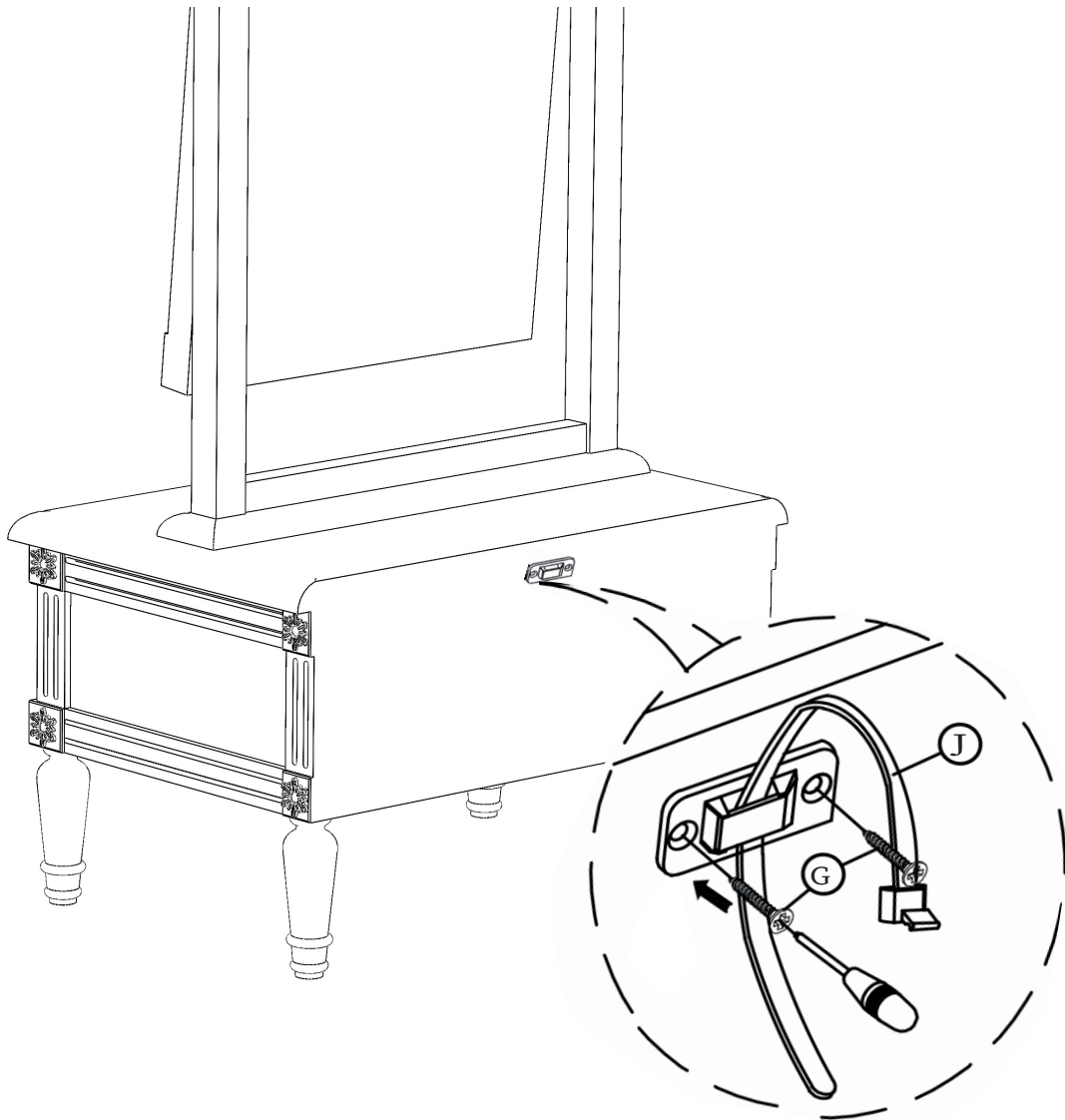


# feather&black

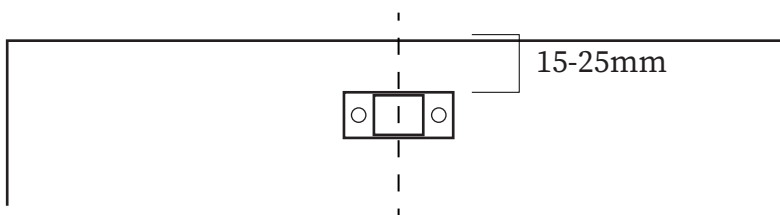
## Casterton Storage Mirror - Assembly Instruction

**We recommend the use of the wall strap provided for safety reasons.**

Step 5. Attach the wall strap to the back of the unit



NOTE: Ensure the bracket is fitted in the center of the back panel and is between 15-25mm from the top of the unit



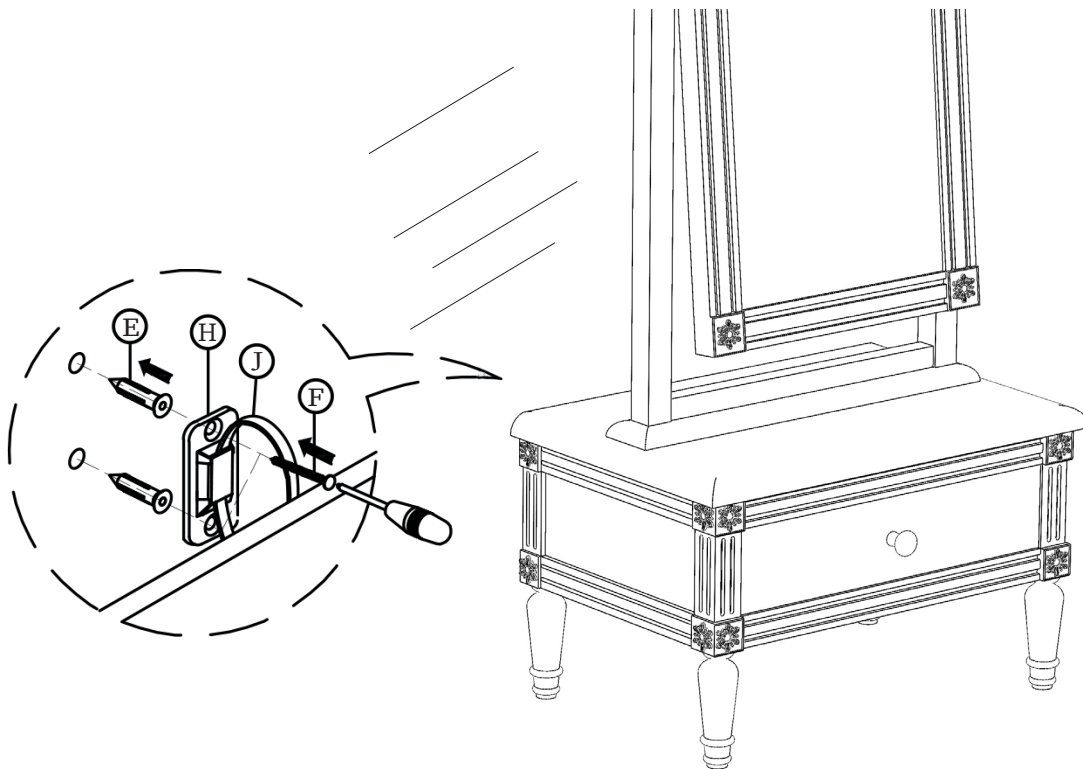


# feather&black

## Casterton Storage Mirror - Assembly Instruction

Step 6. Attach the wall bracket to wall in the required location.

Standard wall fixings are included but please source suitable fixings for your wall type. Always ensure the wall to be drilled is free from hidden electrical wires, water and gas pipes. If in doubt, please consult a qualified tradesperson.



Step 7. Thread the strap on the back of the piece of furniture through the wall bracket. Then pull the strap through the clip and pull tight.

