

Bedstead Assembly Guide

**IMPORTANT - PLEASE READ CAREFULLY
AND RETAIN FOR FUTURE REFERENCE.**

Please take a few minutes to read these instructions

This product contains small parts, keep small children clear of the assembly area.

PRODUCT SAFETY

- All assembly fastenings should always be tightened properly and care should be taken that no fittings are loose.
- Periodically check and ensure that all components are in their proper position, free from damage, and that all connectors are tight.

PRODUCT CARE


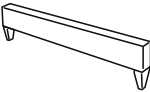
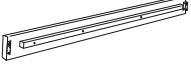
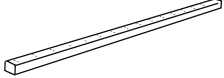


- LEATHER ONLY - Wipe clean using a soft damp cloth followed by a dry cloth.
- FABRIC - We recommend vacuuming gently on a regular basis.
- Do not use abrasives or cleaning products which may contain ammonia or solvents.
- Take care when handling or moving the furniture. Careless handling can damage wooden furniture, try to lift rather than drag.

Antoinette, Belvedere, Cameron, Farringdon, Henrietta, Juliette, Manhattan, Montague, Sebastian & Soho Bedstead Assembly.

Please follow these instructions if you have one of the above bedsteads.

Before you get started:

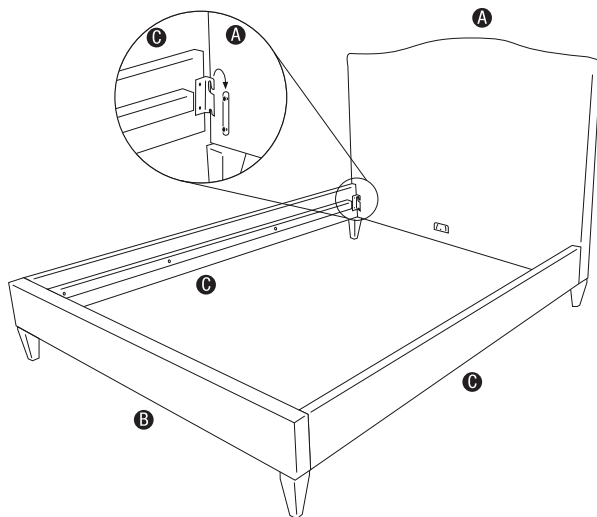
- The legs are already fitted to the frame for ease.
- You will require a 13mm spanner and screwdriver.
- Assembly requires 2 people.

	Parts	QTY
A		x1
B		x1
C		x2
D		x1
E		x32
F		x64

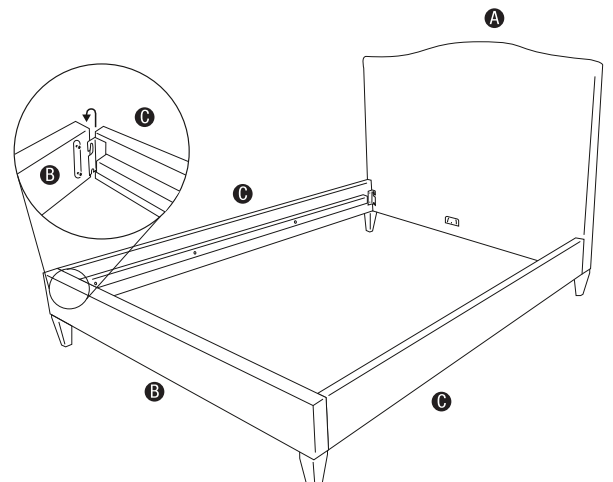
Slat Size

4'6 (Double)	677 x 63 x 8 mm
5' (King)	750 x 63 x 8 mm
6' (Super King)	903 x 63 x 8 mm

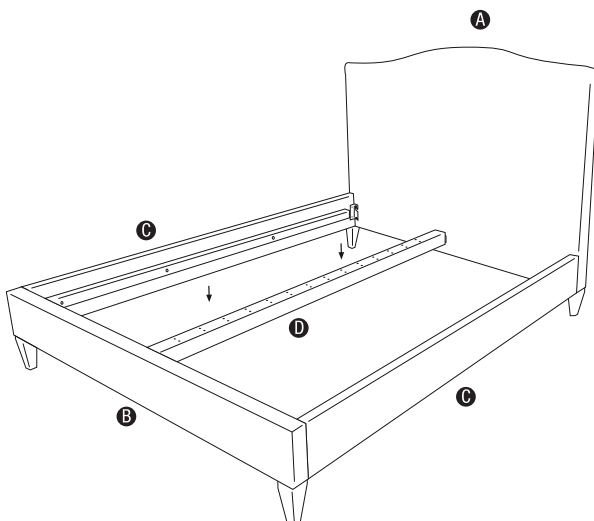
1



2



3



4

