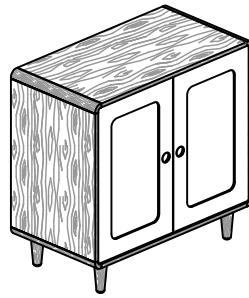


# feather&black

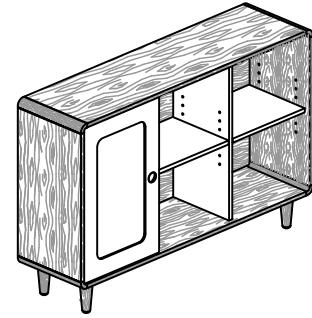
## Perfect Bedtimes



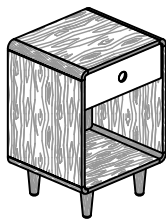
10ARC0300



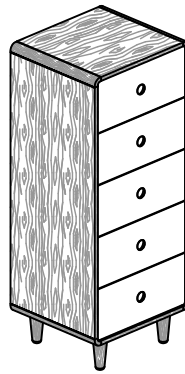
10ARC0200



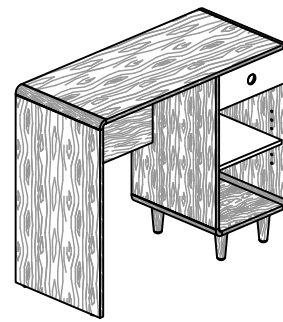
10ARC2400



10ARC0100



10ARC0500

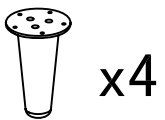
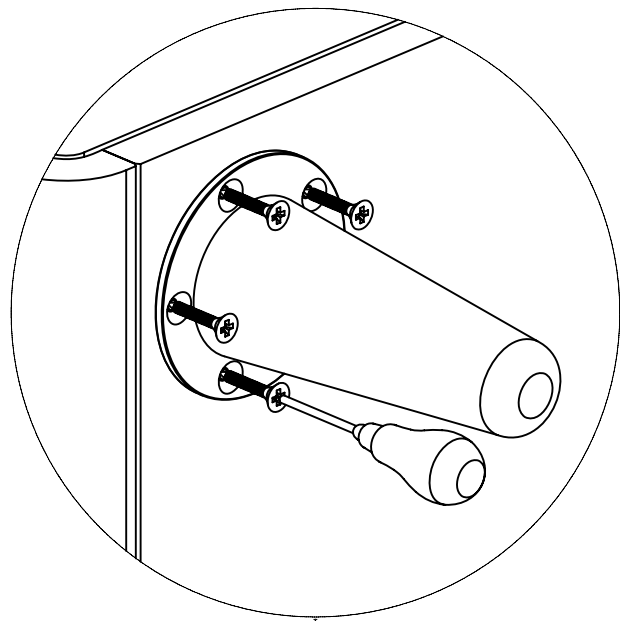
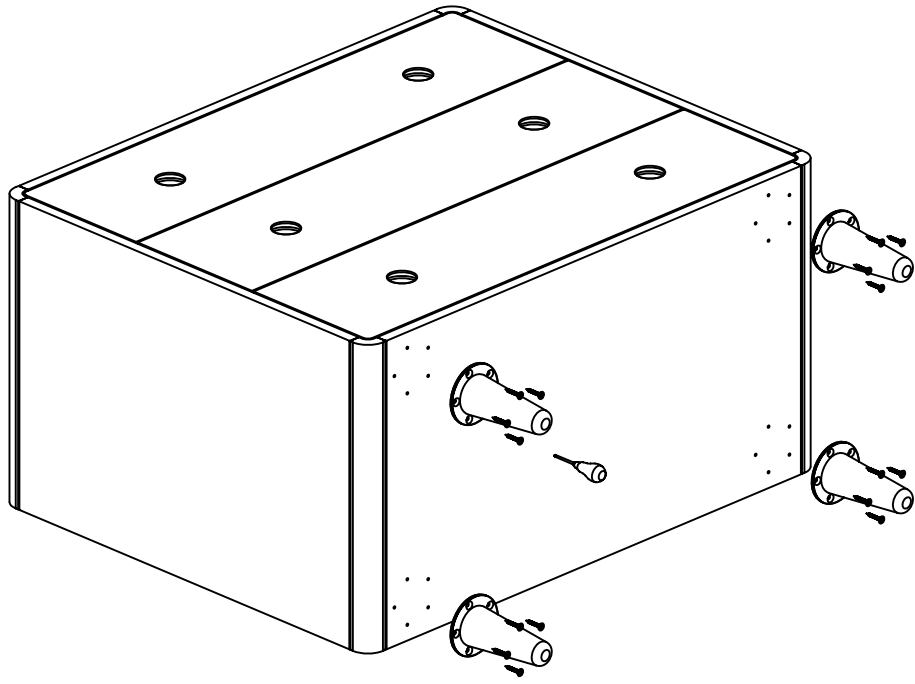


10ARC1200

## Step By Step Assembly Instructions

### PRE-ASSEMBLY PREPARATION

1. Please check the pack contents before attempting to assemble this product. A full checklist of components is given in this leaflet. If any components are missing, please contact the retailer from whom you bought this product.
2. This product is **HEAVY**, it should be assembled as near as possible to the point of use. **TAKE CARE WHEN LIFTING** to avoid personal injury and (or) damage to the product.
3. This product takes approximately **10 MINUTES** to assemble with **2 PEOPLE**.
4. The fittings pack contains **SMALL ITEMS** which should be **KEPT AWAY FROM YOUNG CHILDREN**.
5. Read this leaflet in full before commencing assembly.
6. You will require a crosshead screwdriver to assemble this product.
7. **WE RECOMMEND** that you lay a protective cloth on your carpet to prevent marking.



x4



x20