

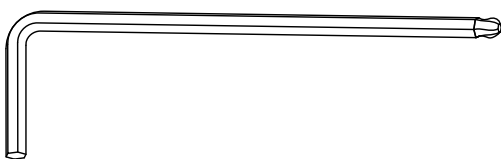
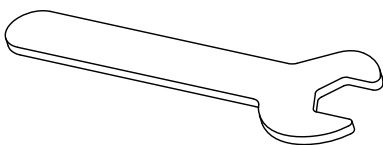
BEAUMONT Standard Bedstead King

IMPORTANT READ CAREFULLY - RETAIN FOR FUTURE REFERENCE

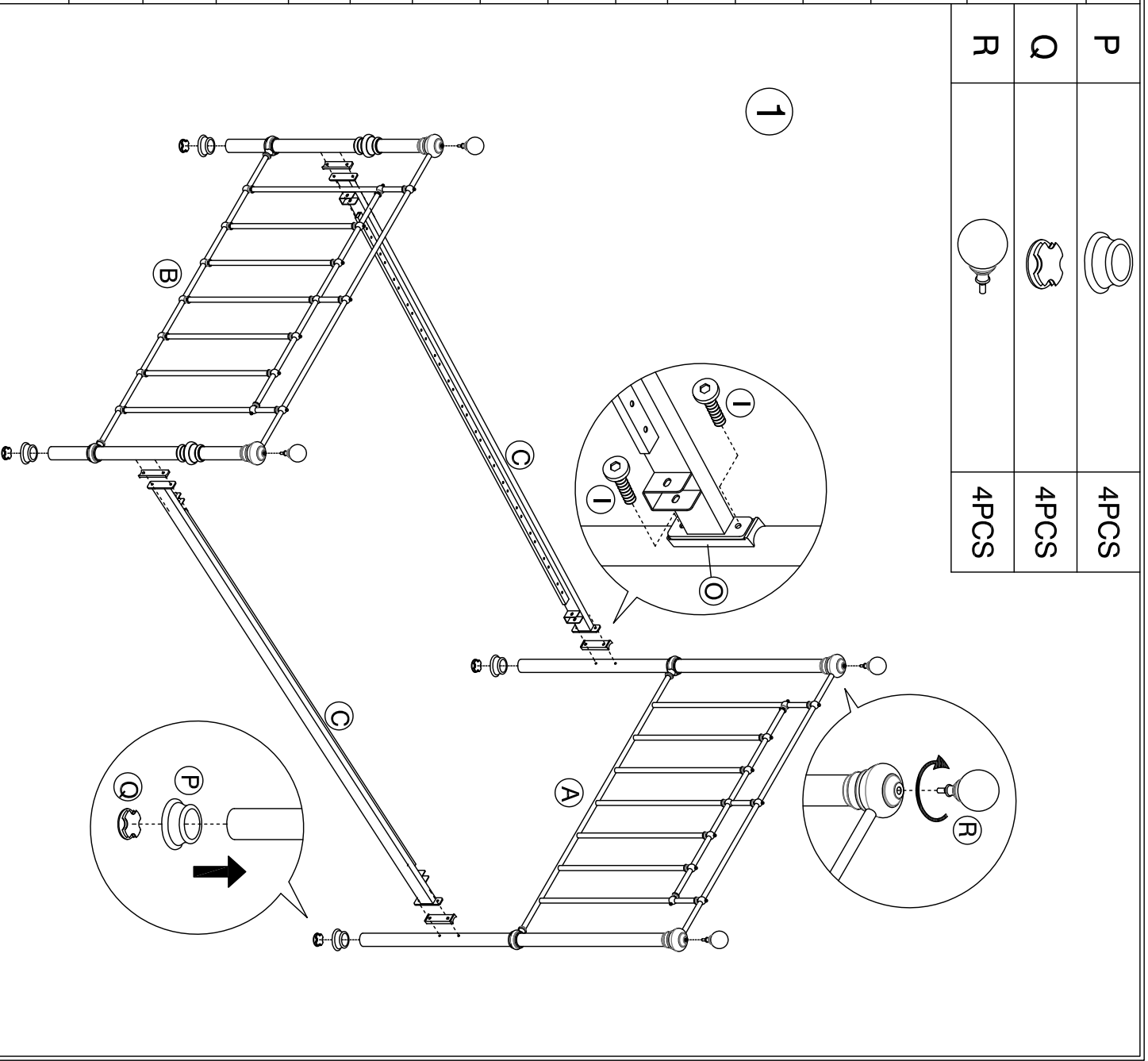
- Read all instructions before assembly. KEEP INSTRUCTIONS FOR FUTURE USE
- Save all packing materials until assembly is complete to avoid accidentally discarding fittings
- All assembly fastenings should always be tightened properly and that care should be taken that no fittings are loose
- To clean, slightly moisten cloth with water and wipe surfaces. A damp cloth holds dust and prevents damage. Repeat with a dry, soft, lint-free cloth
- Do not use abrasives or cleaning products which may contain ammonia or solvents
- Once bed is assembled, do not sit, stand or apply weight directly to slats unless mattress in place.
- This product is **HEAVY**, so it must be assembled with at least 2 PEOPLE.

TOOLS REQUIRED:

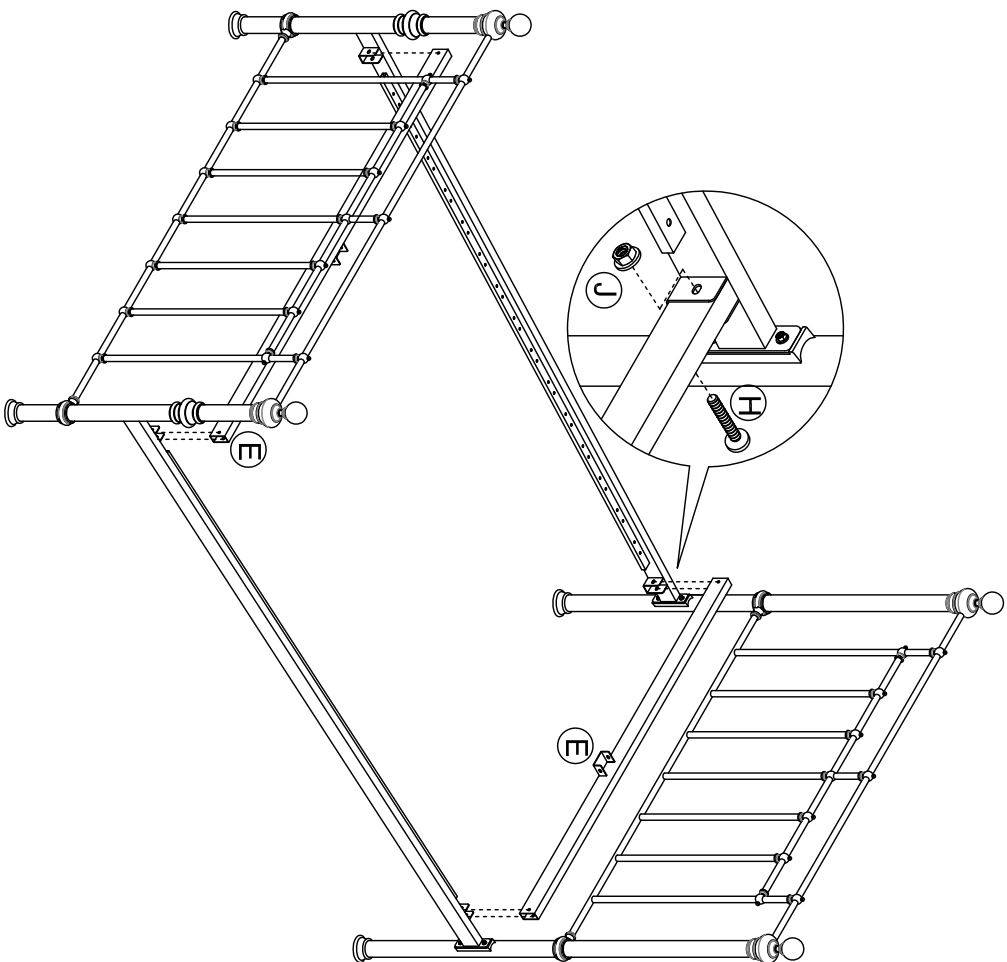
- Please use Spanner and Allen key



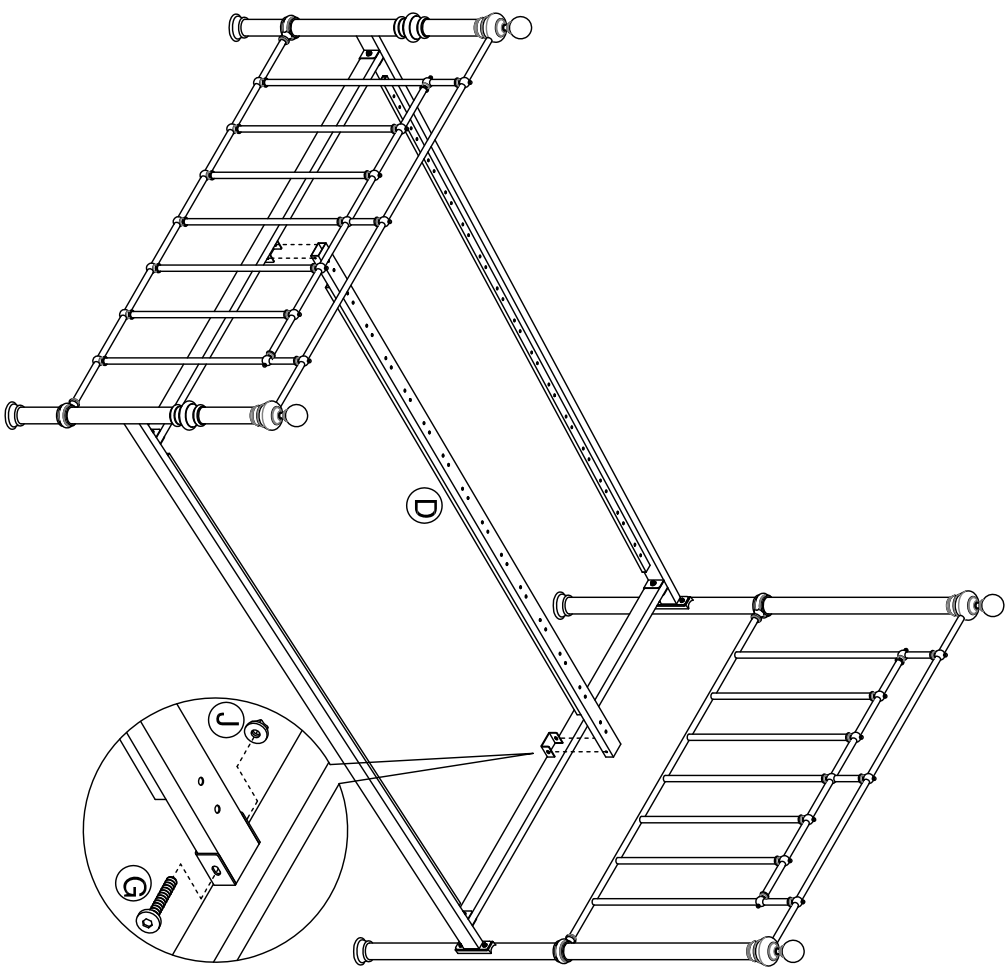
	PARTS	QTY	P		
			Q	R	
A		1PC			4PCS
B		1PC			4PCS
C		2PCS			4PCS
D		1PC			
E		2PCS			
F		30PCS			
G		2PCS			
H		4PCS			
I		8PCS			
J		6PCS			
K		30PCS			
L		15PCS			
M		1PC			
N		1PC			
O		4PCS			



2



3



4

