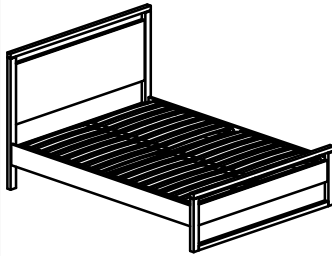


ASSEMBLY INSTRUCTION

WHI - 5073 WHITLEY KING (5') BED

Thank you for purchasing this quality product. Be sure to check all packing material carefully for small parts, which may have come loose inside carton during shipment. Identify and count all parts and compare with the parts list below.



ASSEMBLY INSTRUCTION :

1. Remove hardware from box and sort by size.
2. Please check to see that all hardware and parts are present prior start of assembly.
3. Please follow attached instruction in the same sequence as numbered to assure fast and easy assembly






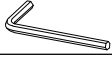

WARNING !

1. Don't attempt to repair or modify parts that are broken or defective. Please contact the customer service team: 01243 380 600.
2. This product is for home use only and not intended for commercial establishments.
3. Two persons are required for assembly.
4. Approximate assembly time : 1/2 hours.
5. Component parts and fittings contained in the box.

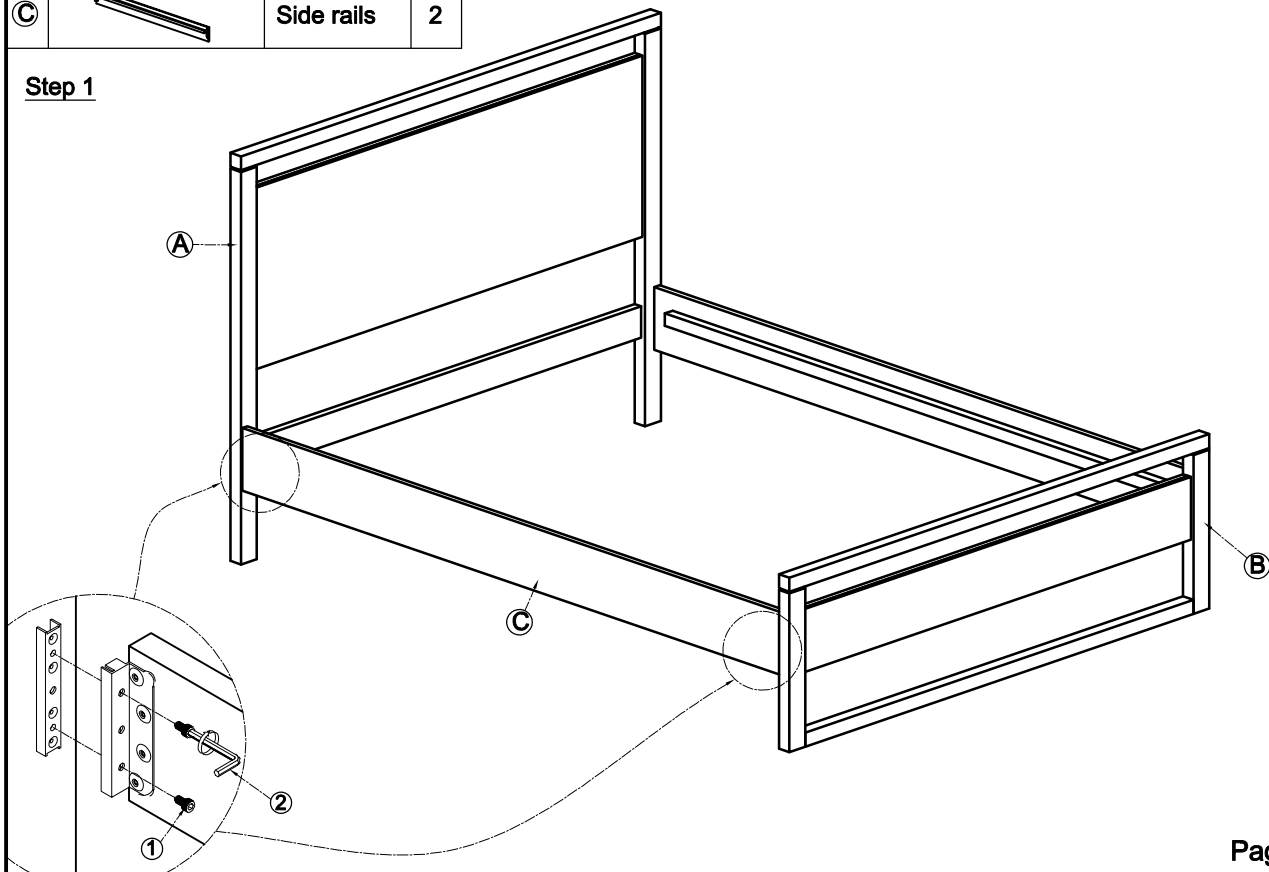
Please sort out all parts before you begin to assemble the item.

This is to make sure you always use the correct part.

6. ALL SLATS MUST BE INDIVIDUALLY SCREWED INTO SIDERAILS TO ENSURE STRUCTURAL INTEGRITY OF YOUR BED

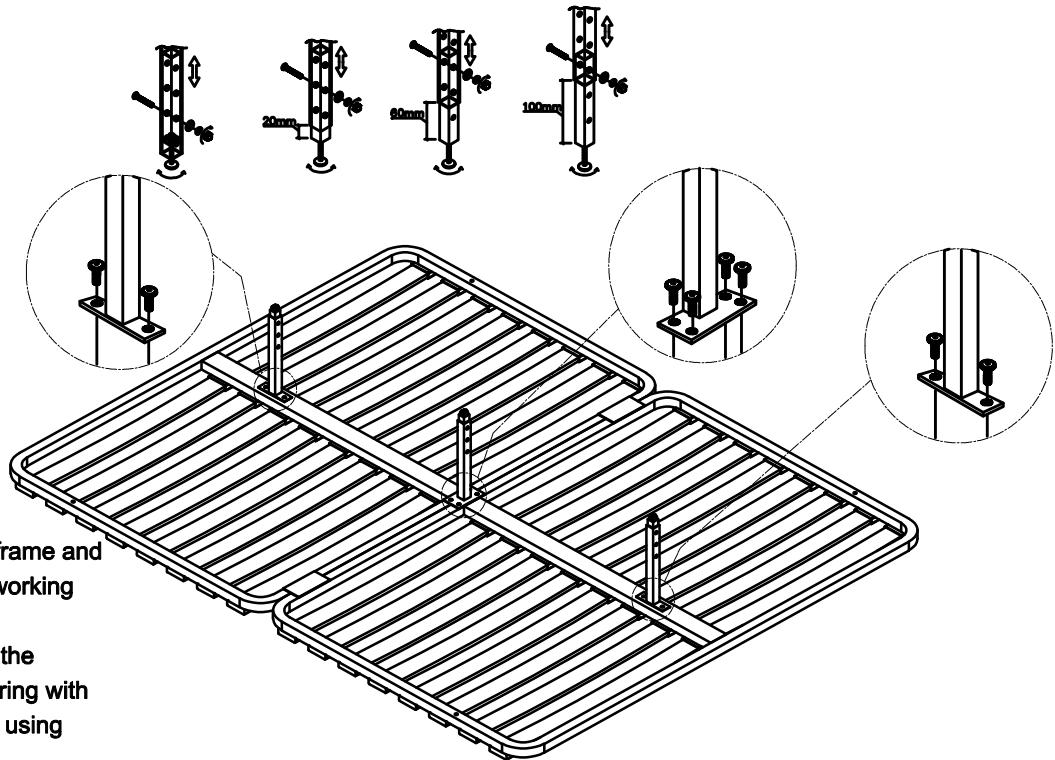
No.	Component	Q'ty	No.	Hardware list	Q'ty
Ⓐ	 Headboard	1	①	 Bolts M6x10	8
Ⓑ	 Footboard	1	②	 Allen key K5	1
Ⓒ	 Side rails	2			

Step 1



Step 2

1. The support legs each have four adjustable parts that need to be set to suit the height of the bed slats frame. Please adjust the height of each leg by selecting the correct hole and inserting the bolts and nuts as shown.
2. You can fine-tune the height of each leg by screwing the adjustable foot in out so it just touches the floor.

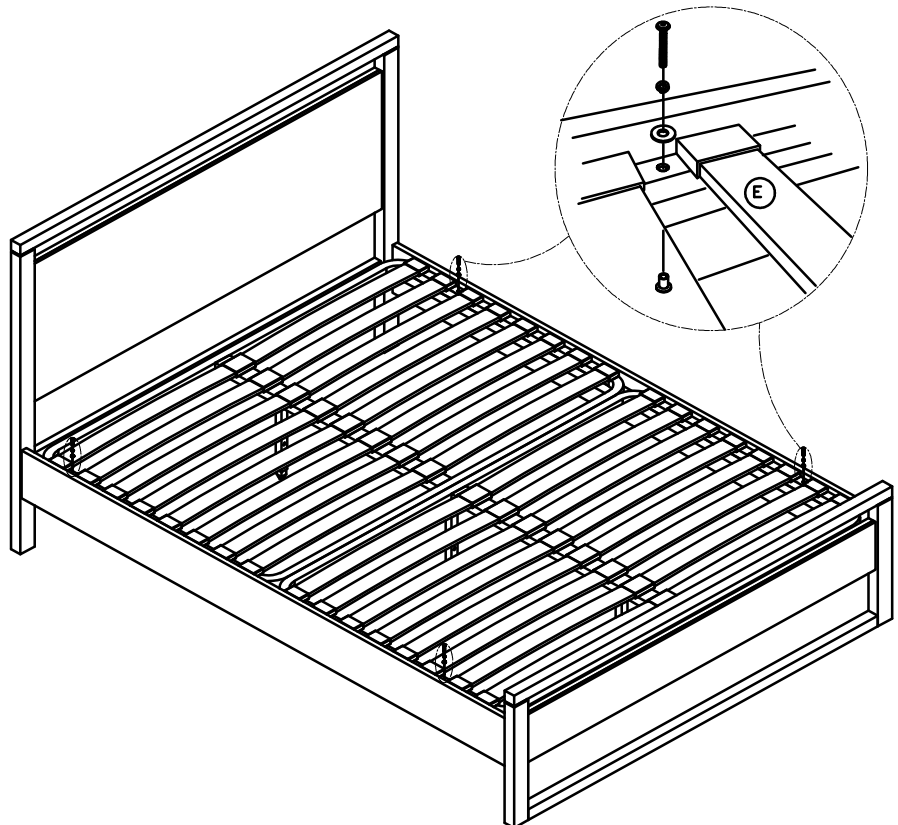


Open the sprung slat frame and lay face down on the working surface.

Fit the support legs to the positions shown, securing with the bolts. Fully tighten using Allen key.

Step 3

Carefully turn the slat frame over and place in position on the metal slat frame supports on each side panel. Align the frame with the fixing holes at each end and secure using four sets of bolts, spring washers flat washers and sleeve - nuts . When all in place tighten using Allen key.



Finally, please check carefully that all bolts are fully tightened before the bed is used.

Finish