

STEP BY STEP ASSEMBLY PREPARATION

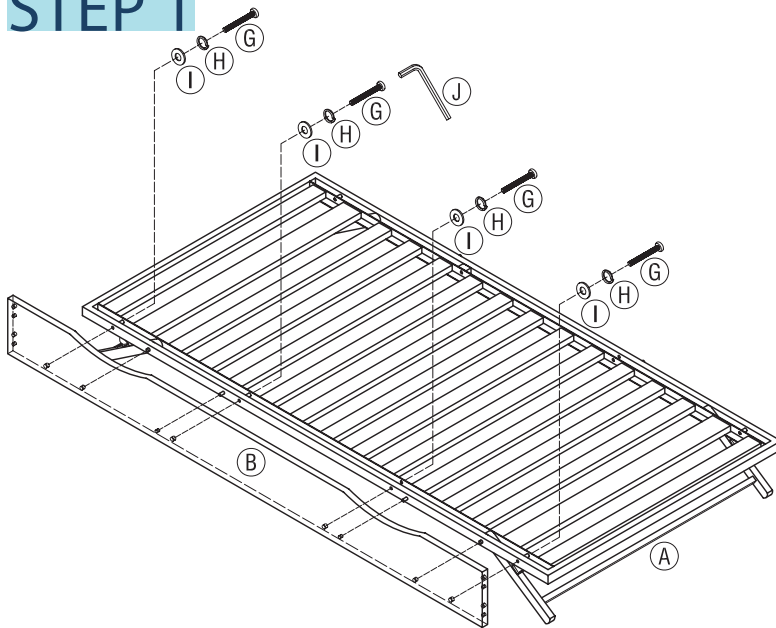
PRE-ASSEMBLY PREPARATION

1. Please check the pack contents before attempting to assemble this product. A full checklist of components is given in this leaflet. If any components are missing, please contact the retailer from whom you bought this product.
2. This product is HEAVY, it should be assembled as near as possible to the point of use. TAKE CARE WHEN LIFTING to avoid personal injury and (or) damage to the product.
3. This product takes approximately 45 MINUTES to assemble with 2 PEOPLE.
4. The fittings pack contains SMALL ITEMS which should be KEPT AWAY FROM YOUNG CHILDREN.
5. Read this leaflet in full before commencing assembly.

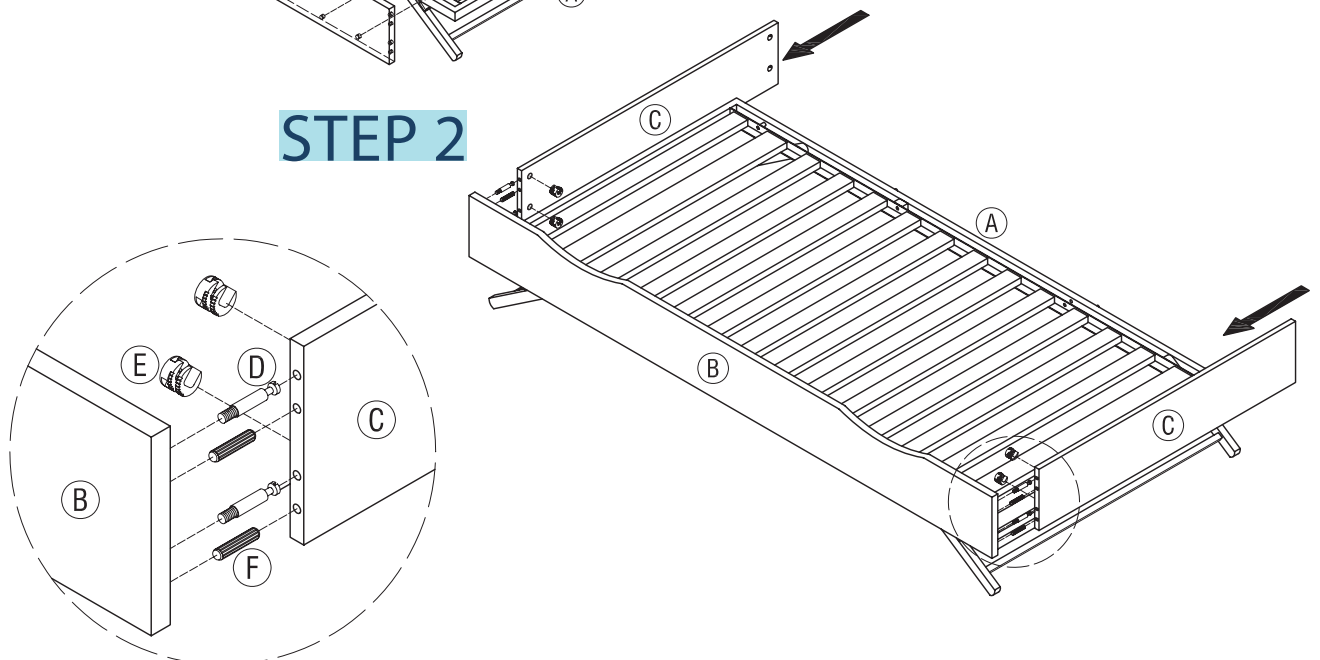
PANEL AND FITTINGS IDENTIFICATION

Item	Description	Qty	Item	Description	Qty	Item	Description	Qty	Item	Description	Qty
A	Slat Base Overall measurement 1875x962x18mm	1	B	Side Rail	2	C	End Rail	2	D	Cam Bolt	8
	Individual slat measurement 827x70x18mm	2	F	Dowel Ø8 x 30	8	G	Bolt M6 x 56	8	H	Lock Washer Ø1/4" x 11 x 1.6	8
	827x50x18mm	13									
I	Washer Ø1/4"x16x1	8	J	Allen Key 4x57	8	E	Cam Lock	8			

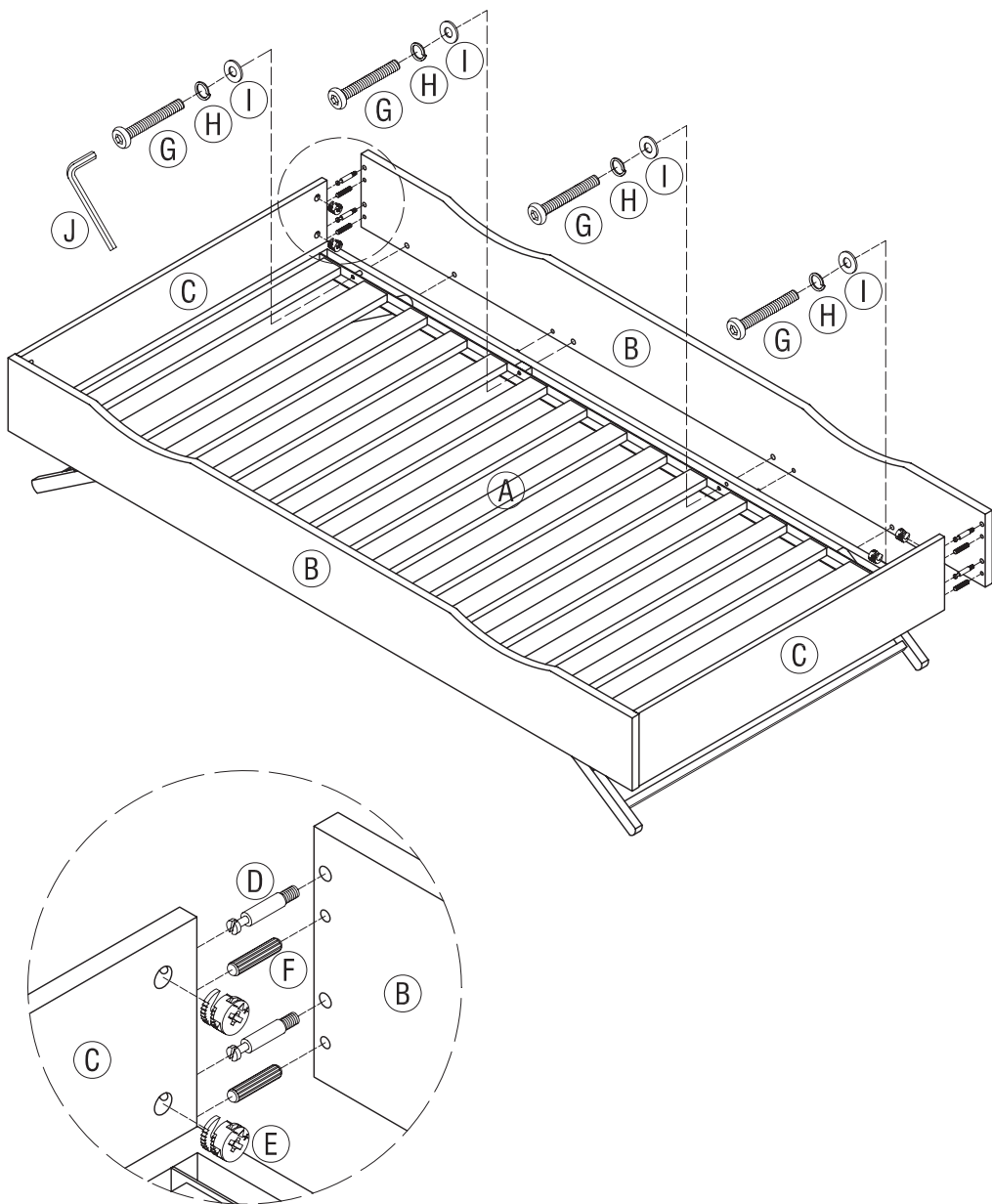
STEP 1



STEP 2



3



4

