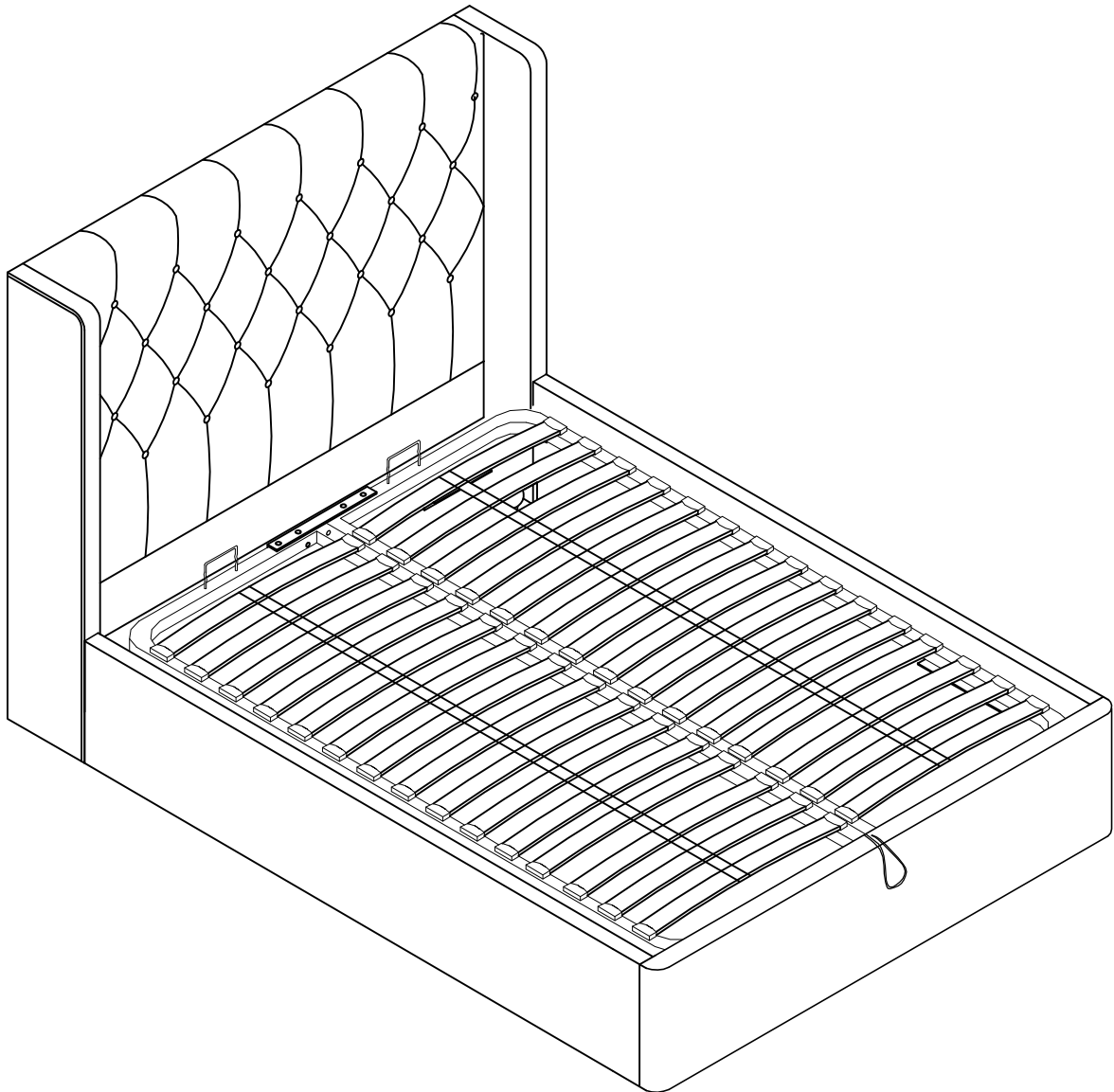


feather&black

Ives ottoman Bed - Assembly Instructions

Product size: Double:1410mm H x 1475mm W x 2070mm D
King:1410mm H x 1625mm W x 2170mm D
Superking:1410mm H x 1925mm W x 2170mm D



If you require any advice during assembly, please call our customer service team on 01243 380600

Please retain these assembly instructions for future use

Ives ottoman Bed

Before you start

Thank you for purchasing this Ives bed.

Please read these instructions fully prior to assembly to familiarise yourself with the various stages of construction. Carefully open all packs supplied and check the contents against the parts and fittings check list.

Do not destroy any of the packaging until you are certain that you have all the necessary parts for the assembly.

This item is heavy once assembled. Please try to assemble the item as close as possible to the point of use. Take care when moving the item to avoid personal injury or damage to the product and always lift rather than drag.

There are small components used in the construction of this furniture as well as plastic packaging, these should be kept away from young children whilst assembling.

Product Safety

All assembly fastenings should always be tightened properly, and care should be taken to ensure that no fittings are loose.

Periodically check and ensure that all components are in their proper position, free from damage, and that all connectors are tight.

Please note depending on the lighting, positioning and surroundings of your room, the shade of the colour can sometimes appear slightly different. Over a period of time the colour might lighten or fade slightly due to light exposure.

Product Care

To clean, slightly moisten cloth with water and wipe surfaces. A damp cloth holds dust and prevents damage. repeat with a dry, soft, lint-free cloth. Do not use abrasives or cleaning products which may contain ammonia or solvents.

Number of people required to assemble
Two people to assemble the product and two people to lift in to position.

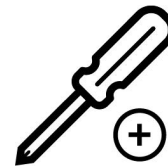
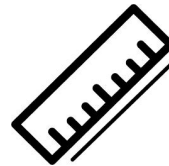


Time to assemble



(one hour)

Necessary tools



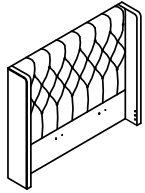
Missing parts or faulty products

If you are missing any fixtures or fittings during assembly, or a part is unfortunately faulty please call our customer service team on 01243 380600

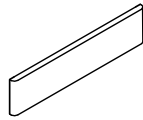
feather&black

Ives ottoman Bed

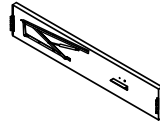
Components supplied (not actual size)



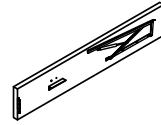
Ref: A
 Double:1475x1410mm
 King:1625x1410mm
 Superking:1925x1410mm
 Quantity: 1



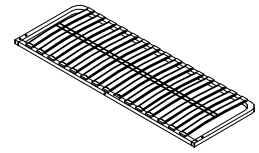
Ref: B
 Double:1475x400mm
 King:1625x400mm
 Superking:1925x400mm
 Quantity: 1



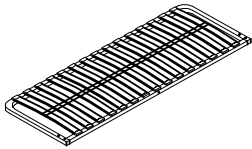
Ref: C
 Double:1755x400mm
 King:1855x400mm
 Superking:1855x400mm
 Quantity: 1



Ref: D
 Double:1755x400mm
 King:1855x400mm
 Superking:1855x400mm
 Quantity: 1



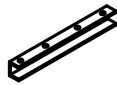
Ref: E
 Double:1880x670mm
 King:1980x745mm
 Superking:1980x895mm
 Quantity: 1



Ref: F
 Double:1880x670mm
 King:1980x745mm
 Superking:1980x895mm
 Quantity: 1



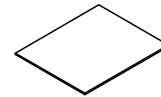
Ref: G
 115x95mm
 Quantity: 2



Ref: H
 300x46mm
 Quantity: 2



Ref: I
 100x40mm
 (mm) Quantity: 4

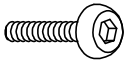


Ref: J
 Double:1365x995mm
 King:1515x1005mm
 Superking:1815x1005mm
 (mm) Quantity: 2

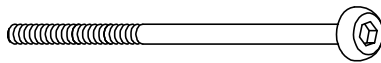


Ref: K
 400x50mm
 Quantity: 1

Fixtures and fittings supplied (not actual size)



Ref: a
 M 8 * 20mm
 Quantity: 8



Ref: b
 M8 * 80mm
 Quantity: 1



Ref: c
 M6 * 60mm
 Quantity: 6



Ref: d
 M6 * 40mm
 Quantity: 8



Ref: e
 M8
 Quantity: 1



Ref: f
 M6
 Quantity: 6



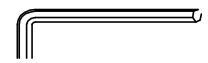
Ref: g
 M6
 Quantity: 8



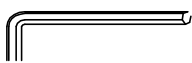
Ref: h
 8mm
 Quantity: 10



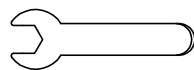
Ref: i
 6mm
 Quantity: 20



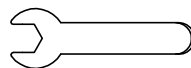
Ref: i
 4mm
 Quantity: 2



Ref: k
 5mm
 Quantity: 1



Ref: l
 11mm
 Quantity: 1



Ref: m
 13mm
 Quantity: 1



feather&black

Ives ottoman Bed

1.

Note: Leave 10 mm protruding as in the diagram

Attach the side rails to the headboard using Allen key (k)

Attach the side rails to the footboard using Allen key (k)

MAKE CERTAIN THE BED IS SQUARED UP .AS SHOWN ON THE RIGHT. Once all four comers are located. make sure the bed is still square as in the sketch.then tighten all the bolts 100% using Allen key (K).

k x1

2.

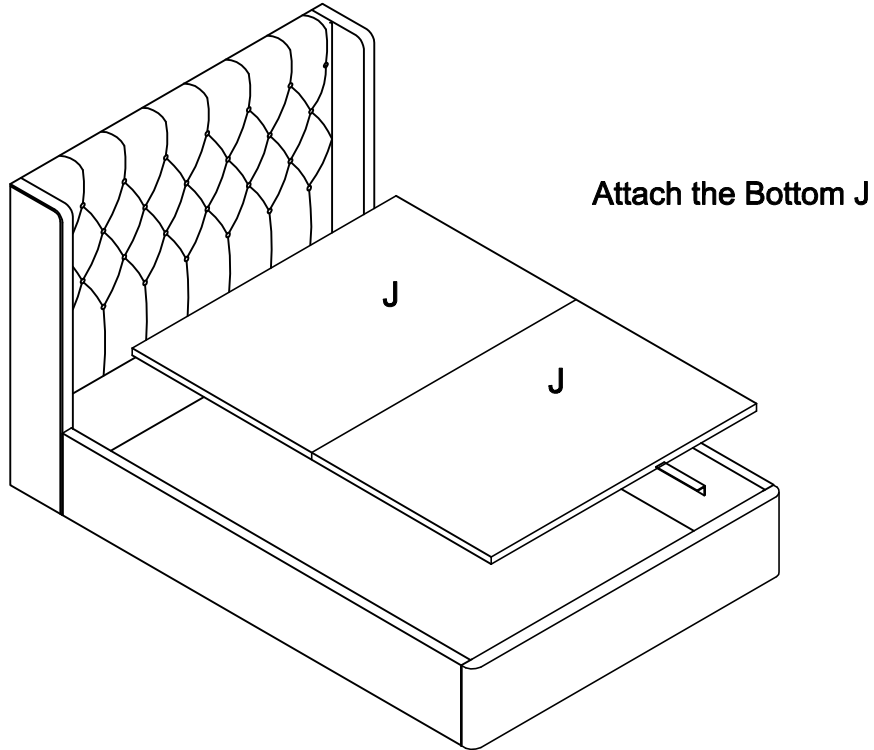
Use bolt (a) ,Washer (h)to fix the "L"Metal l using Allen Key (k) .

a x12 h x12 k x1

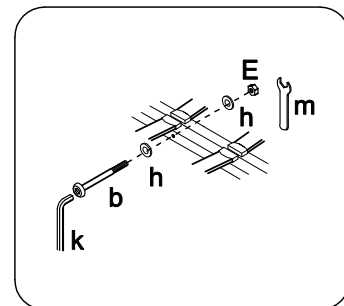
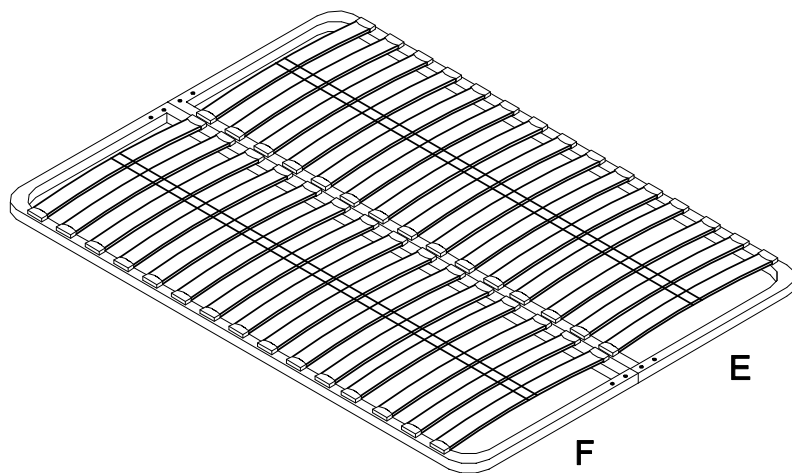
feather&black

Ives ottoman Bed

3.



4.



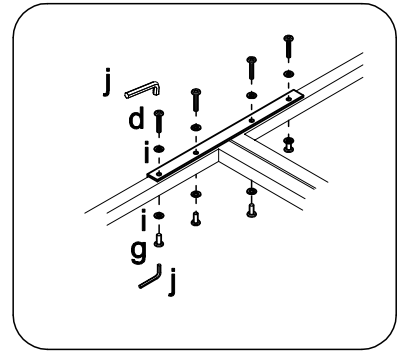
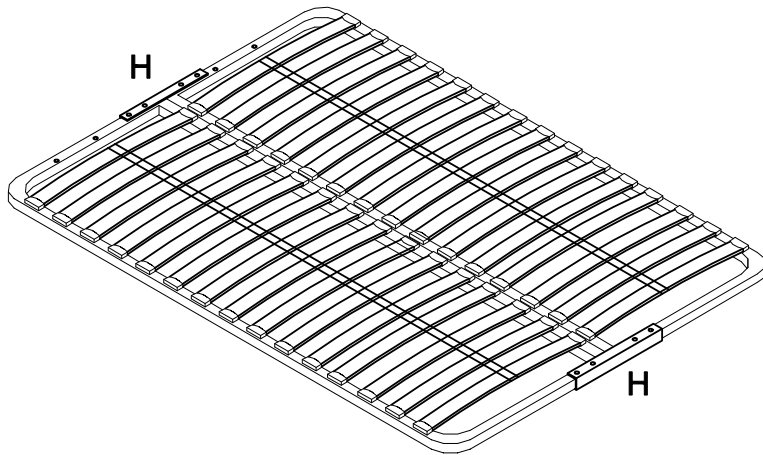
Attach the Base using bolt (b) ,Washer (h) and Allen key (k),(m)



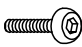

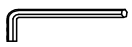
feather&black

Ives ottoman Bed

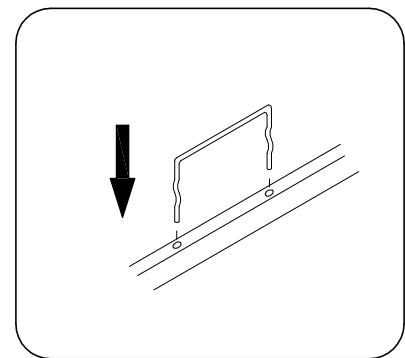
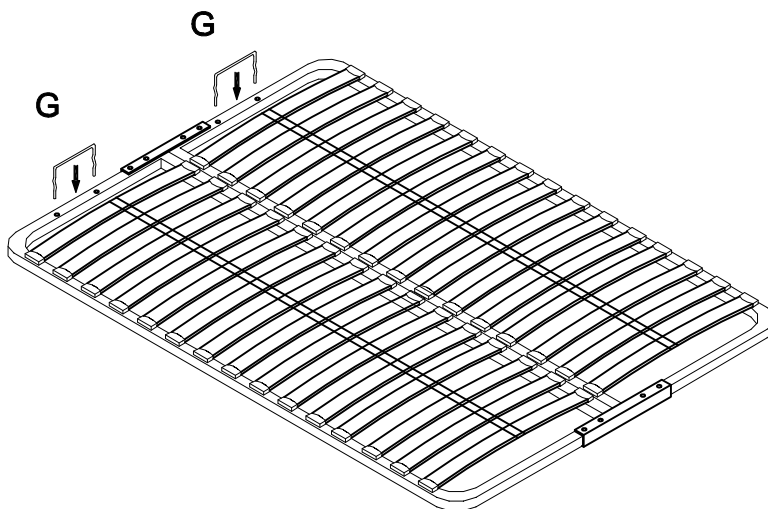
5.



Use bolt (d) ,Washer (i) and Nut (g) to fix the "U"Metal H using Allen Key (j) .

b  x8 i  x16 g  x8 j  x2

6.

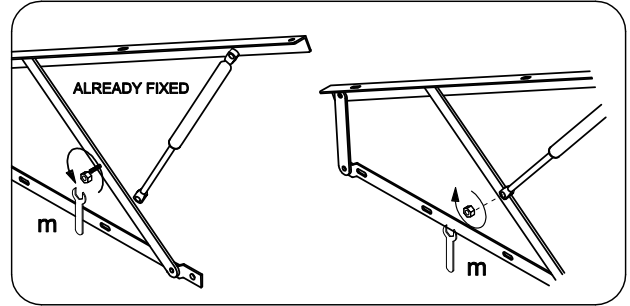
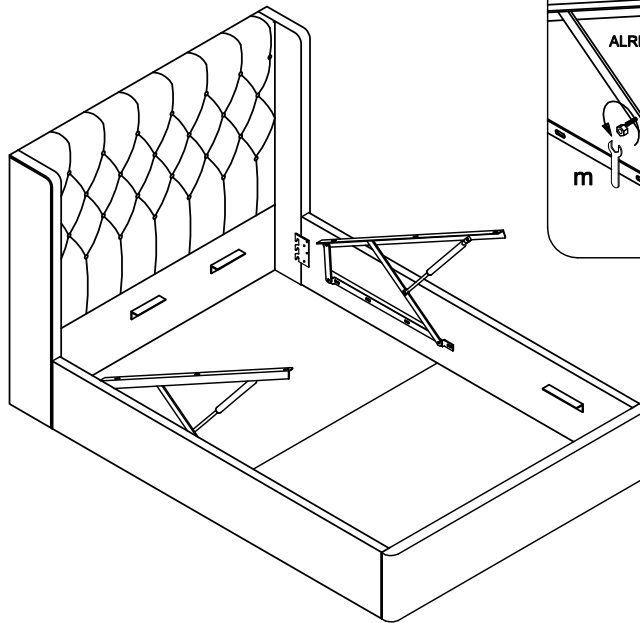


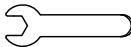
Attach the 'U' Metal G

feather&black

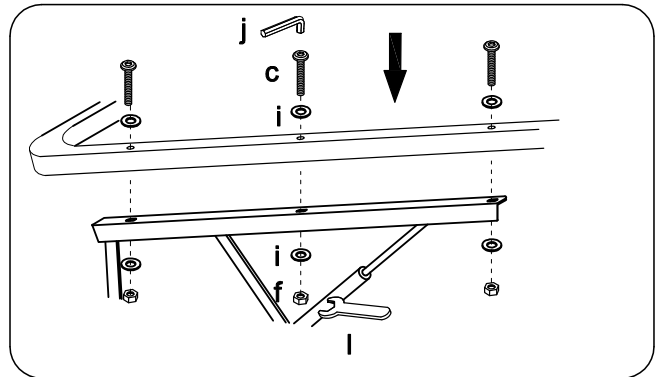
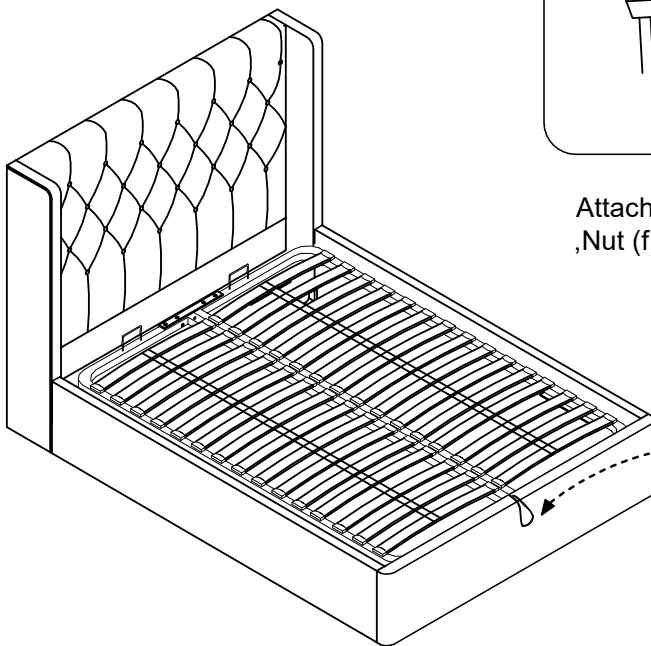
Ives ottoman Bed

7.

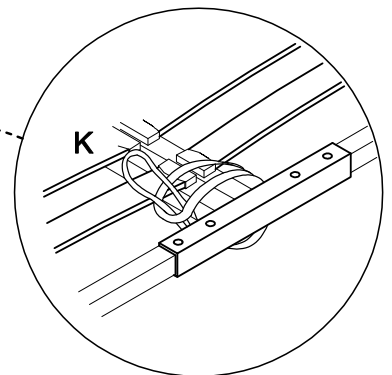


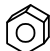
m  x1

8.



Attach the Base using bolt (c) ,Washer (i) ,Nut (f) and Allen key (j),(l)



c  x6 i  x12 f  x6 j  x1 l  x1