

# Swift 5 Drawer Tall Chest

IMPORTANT READ CAREFULLY – RETAIN FOR FUTURE REFERENCE

Thank you for buying the Swift 5 Drawer Tall Chest

- Please take a few minutes to read these instructions
- This product contains small parts, keep small children clear of the assembly area

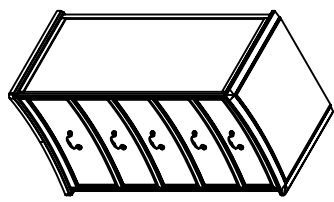

## PRODUCT SAFETY

- All assembly fastenings should always be tightened properly and care should be taken that no fittings are loose
- Periodically check and ensure that all components are in their proper position, free from damage, and that all connectors are tight

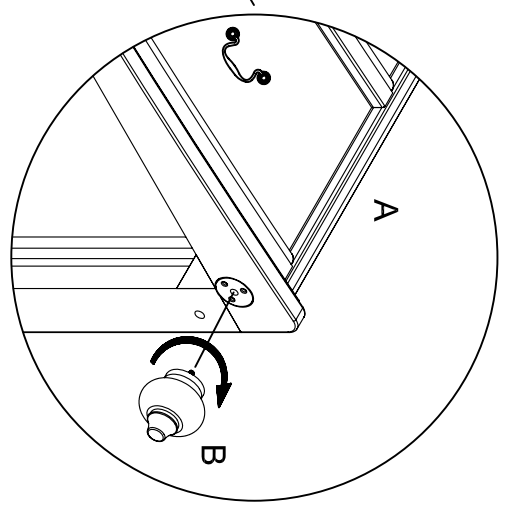
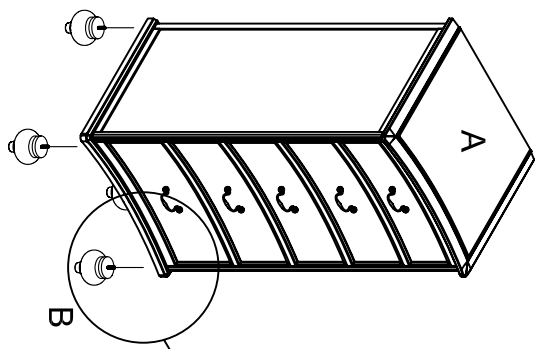
## PRODUCT CARE

- Wipe clean using a soft damp cloth followed by dry cloth
- Do not use abrasives or cleaning products which may contain ammonia or solvents
- Take care when handling or moving the furniture. Careless handling can damage wooden furniture, try to lift rather than drag

**ASSEMBLY INSTRUCTIONS**

	PARTS	QTY
A		1PC
B		4PC

**Step 1**



**Step 2**

