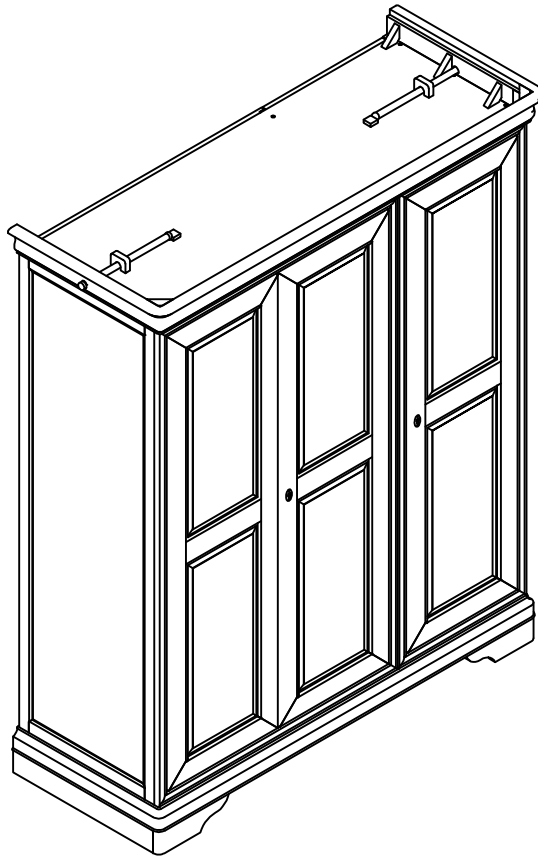


## Provence Collection

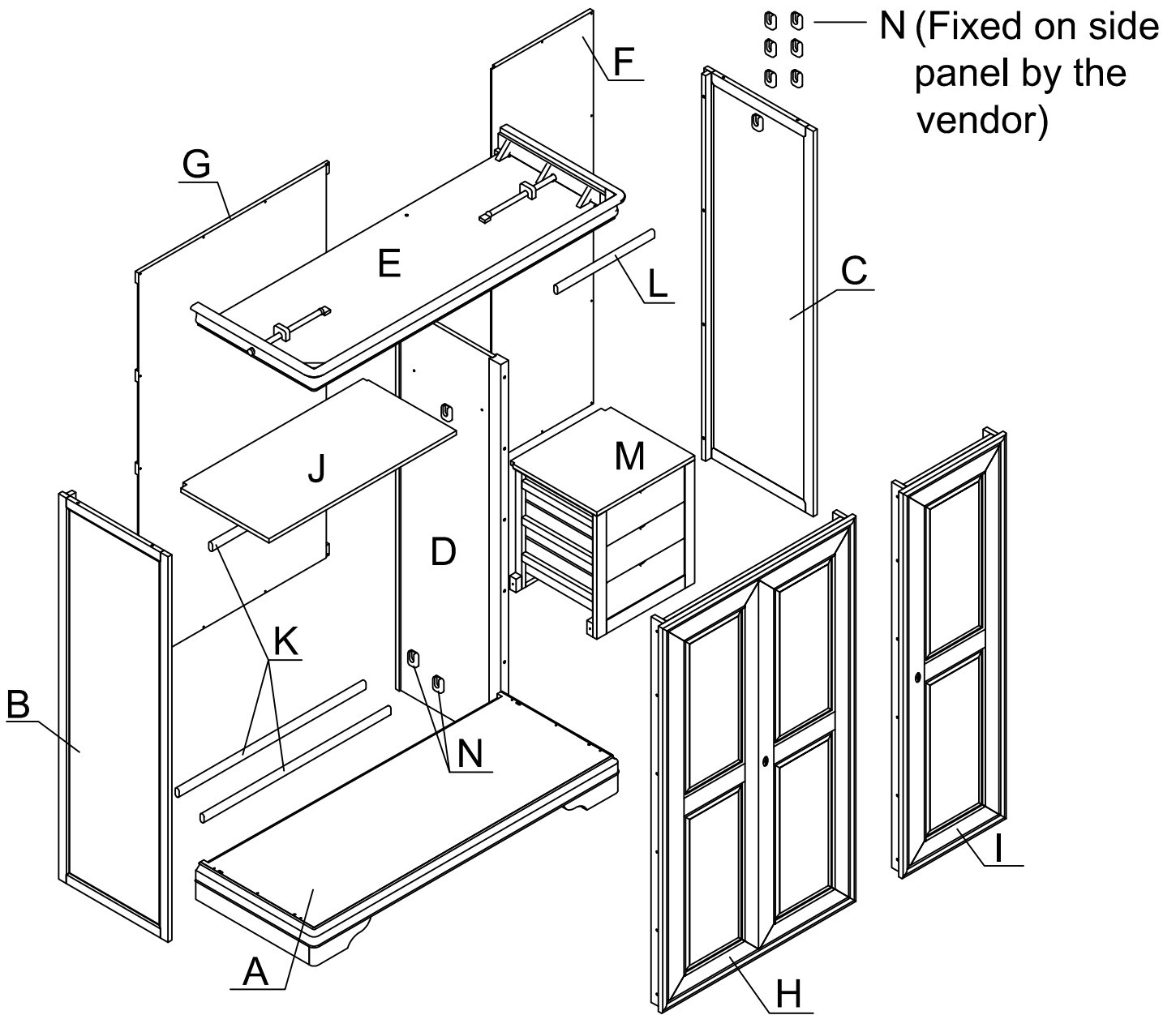
3 Door Wardrobe



# Step By Step Assembly Instructions

## PRE-ASSEMBLY PREPARATION

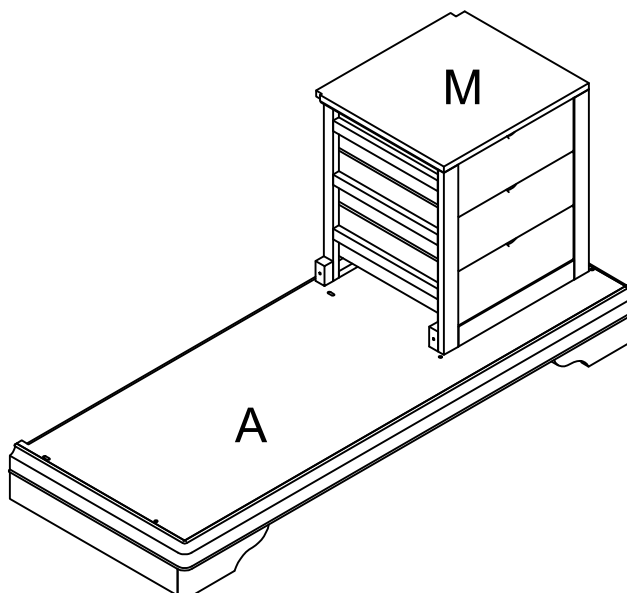
1. Please check the part contents before attempting to assemble this product. A full checklist of components is given in this leaflet. If any components are missing, please contact the retailer from whom you bought this product.
2. This product is **HEAVY**, it should be assembled as near as possible to the point of use. **TAKE CARE WHEN LIFTING** to avoid personal injury and (or) damage to the product.
3. This product takes approximately 90 MINUTES to assemble with **2 PEOPLE**.
4. The fittings pack contains **SMALL ITEMS** which should be **KEPT AWAY FROM YOUNG CHILDREN**.
5. Read this leaflet in full before commencing assembly.
6. You will require a cross head screwdriver to assemble this product.
7. **WE RECOMMEND** that you lay a protective cloth on your carpet to prevent marking.



### Panel and Fittings Identification

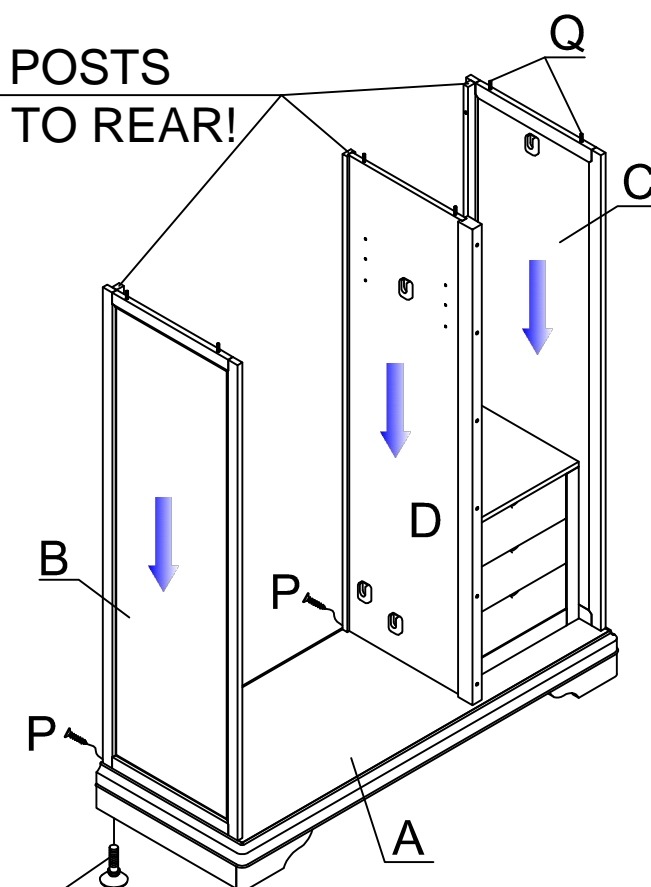
Item	Description	Qty.	Item	Description	Qty.	Item	Description	Qty.
A	Base	1	B	Left Side Panel	1	C	Right Side Panel	1
D	Centre Upright Panel	1	E	Top Cornice	1	F	Narrow Back Panel	1
G	Wide Back Panel	1	H	Wide Door Frame	1	I	Narrow Door Frame	1
J	Shelf	1	K	Wide Hanging Rail	3	L	Narrow Hanging Rail	1
M	Drawer Frame	1	N	Hanging Rail Supports	8	O	25mm CSK Screws	42
P	30mm CSK Screws	15	Q	Dowel	12	R	Shelf Pin	4
S	16mm CSK Screws	4						

**Step ①** With the aid of an assistant, locate the drawer frame (M) to the base unit (A) as shown.



**Step ②** Use the adjustable levelers to level the wardrobe base (A) on uneven floor surfaces. Place dowels (Q) both top and bottom of each panel.

With the aid of an assistant, locate the side panels (B&C) and the centre panel (D) into the base unit (A). Secure the side panels using one 30mm CSK screw per panel inserted through the rear post.



Fittings



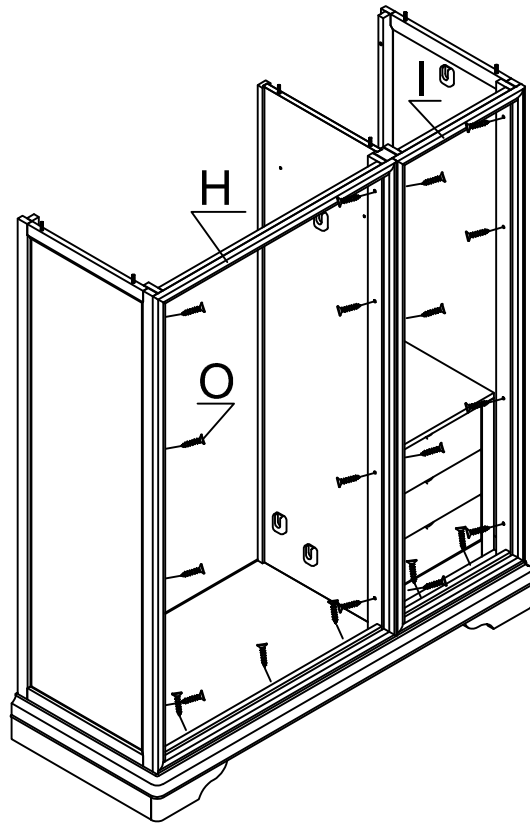
P x 3



Q x 12

The adjustable levelers are attached on the bottom of base by the vendor.

**Step ③ IMPORTANT NOTE:**  
**PLEASE ENSURE THE DOORS ARE UNLOCKED PRIOR TO ASSEMBLY** With the aid of an assistant, locate the wide door frame (H) onto the wardrobe and locate the narrow door frame (I) onto the wardrobe as shown. First secure to the side panels using four 25mm csk screws (O) per side, inserted through the wooden blocks. Then secure at the bottom using five additional 25mm CSK screw (O).

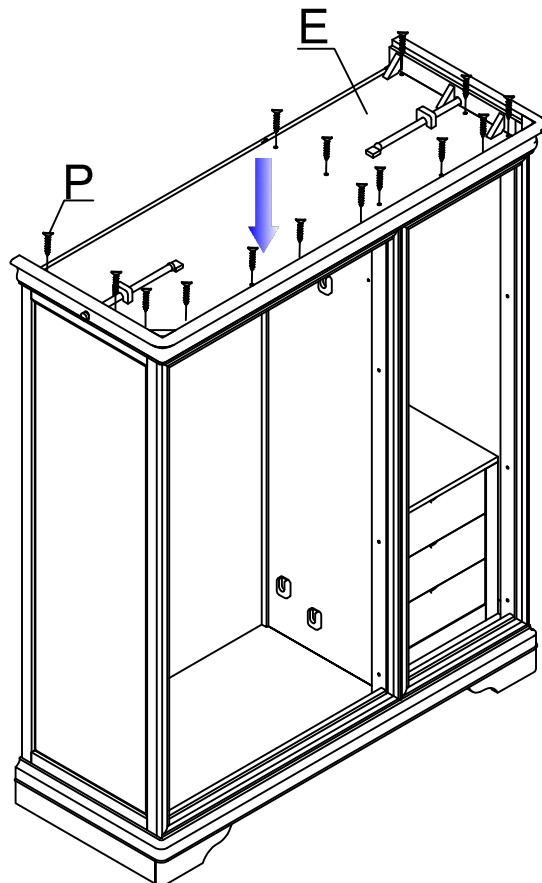


Fittings


 O x 21

**SHOWN WITH DOORS REMOVED FOR CLARITY OF ILLUSTRATION ONLY**

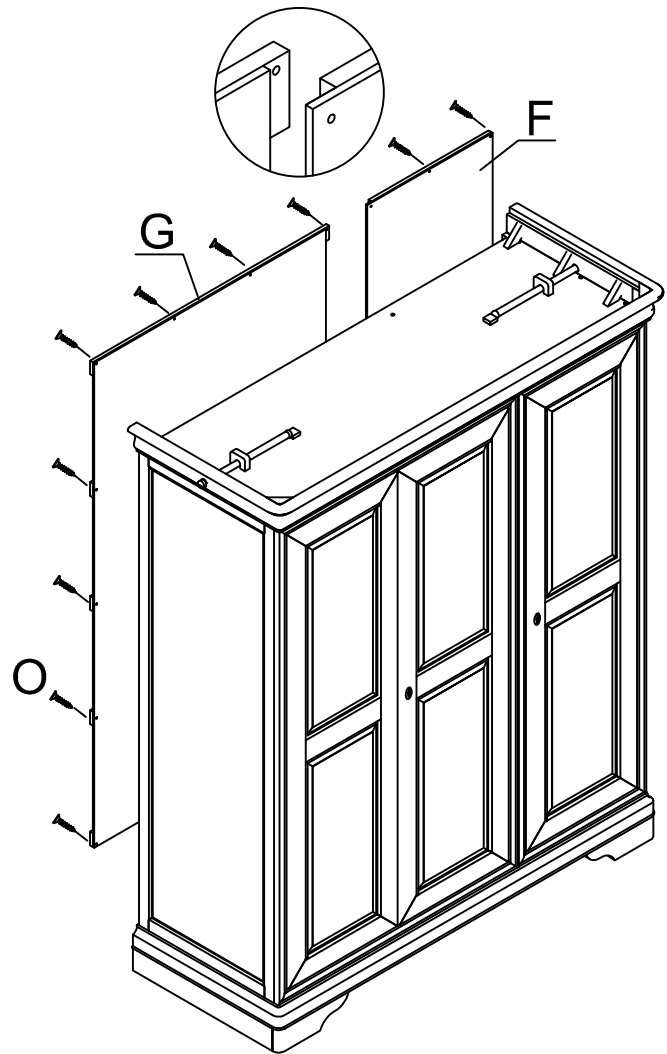
**Step ④** With the aid of an assistant, locate the cornice (E) as shown. Secure using twelve 30mm screws (P), three for each panel and four into the top of the door frames.



Fittings

 P x 12

**Step ⑤** Before attaching the back panels (F & G), move the wardrobe close to the position where it will be used. With uneven floors you may need to lean the wardrobe slightly left or slightly right to ensure that the doors remain square. With the side of an assistant, hold the wardrobe in position and secure the wide back panel (G) to the rear of the wardrobe. **DO NOT SECURE TO THE CENTRE PANEL YET.** Finally, secure the narrow back panel (F) noting that it overlaps the wide back panel. Tighten all twenty one 25mm CSK screws (O).



Fittings

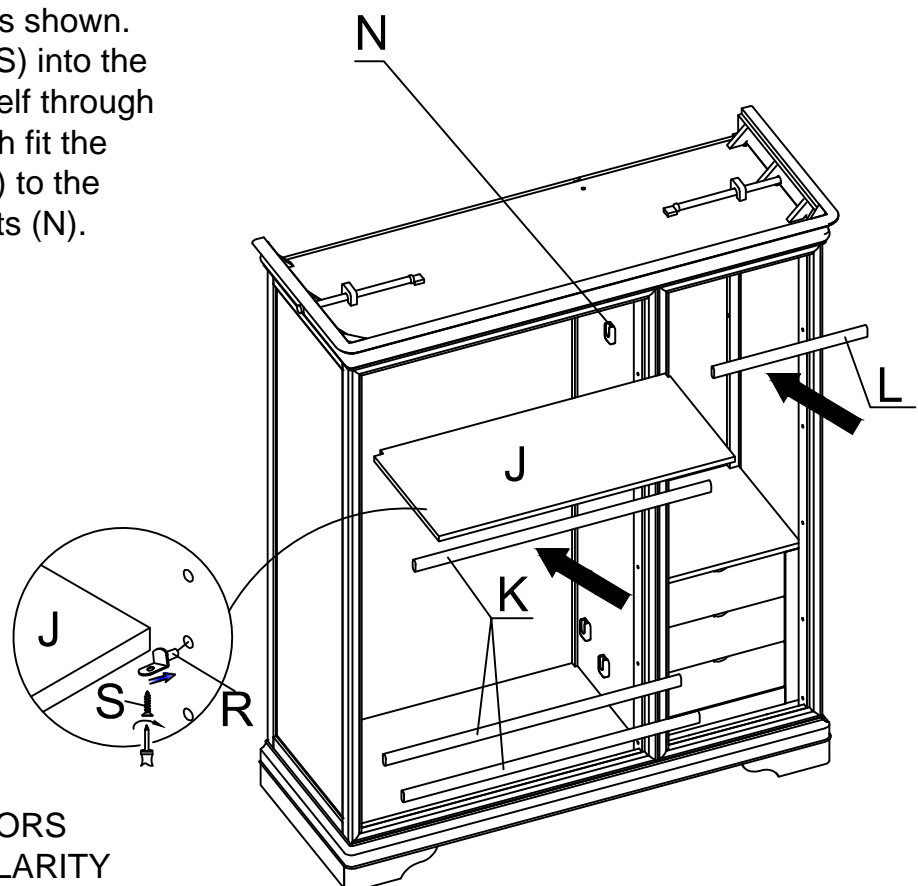
 O x 21

**Step ⑥** Push fit the four shelf pins (R) at the desired heights. Locate the shelf (J) noting the 'Notched' corners as shown. Screw the screws (S) into the underside of the shelf through the pins. Then push fit the hanging rail (K & L) to the hanging rail supports (N).

Fittings

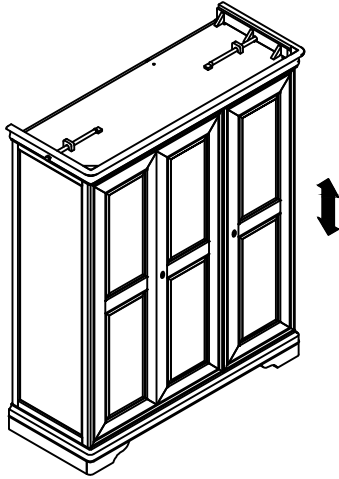
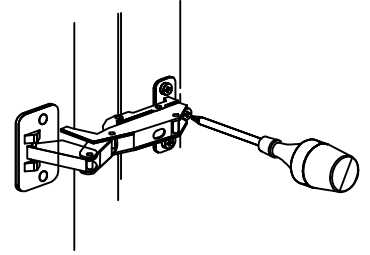
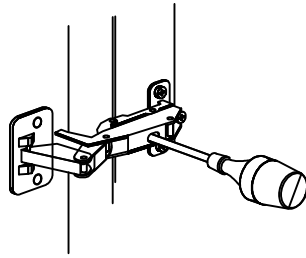
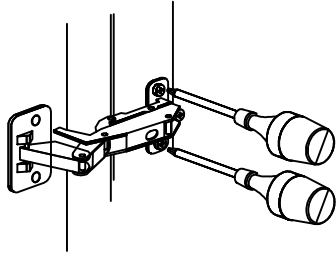
 S x 4

 R x 4

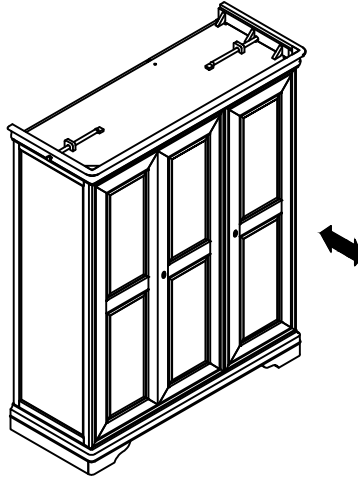


SHOWN WITH DOORS  
REMOVED FOR CLARITY  
OF ILLUSTRATION ONLY

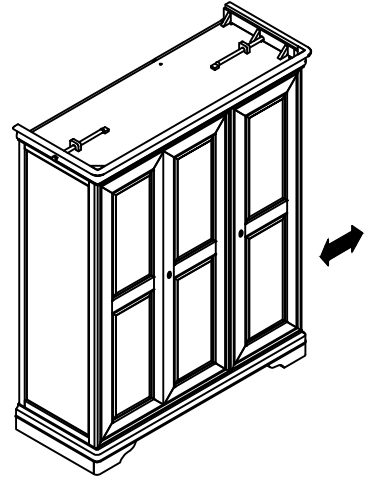
**Step ⑦** Move the wardrobe into position and then check that the doors are aligned correctly. If necessary adjust the door hinges as shown below.



Vertical Adjustment



Horizontal Adjustment



Lateral Adjustment

Bedrooms by  
**feather & black**  
**Provence Collection**  
3 Door Wardrobe

It may be required to adjust the top and bottom locking pins on the door frame, enabling the hooks to locate and lock onto the pin. If required loosen and remove screws on the pin and locate into the correct position, then re-attach the screws. The pins can be moved in the directions shown in the diagram.

