

feather & black

Oliver Bedstead Single









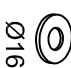

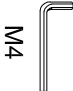
IMPORTANT READ CAREFULLY – RETAIN FOR FUTURE REFERENCE

- Read all instructions before assembly. KEEP INSTRUCTIONS FOR FUTURE USE
- Save all packing materials until assembly is complete to avoid accidentally discarding fittings
- All assembly fastenings should always be tightened properly and that care should be taken that no fittings are loose
- To clean, slightly moisten cloth with water and wipe surfaces. A damp cloth holds dust and prevents damage. Repeat with a dry, soft, lint-free cloth
- Do not use abrasives or cleaning products which may contain ammonia or solvents
- Once bed is assembled, do not sit, stand or apply weight directly to slats unless mattress is in place.

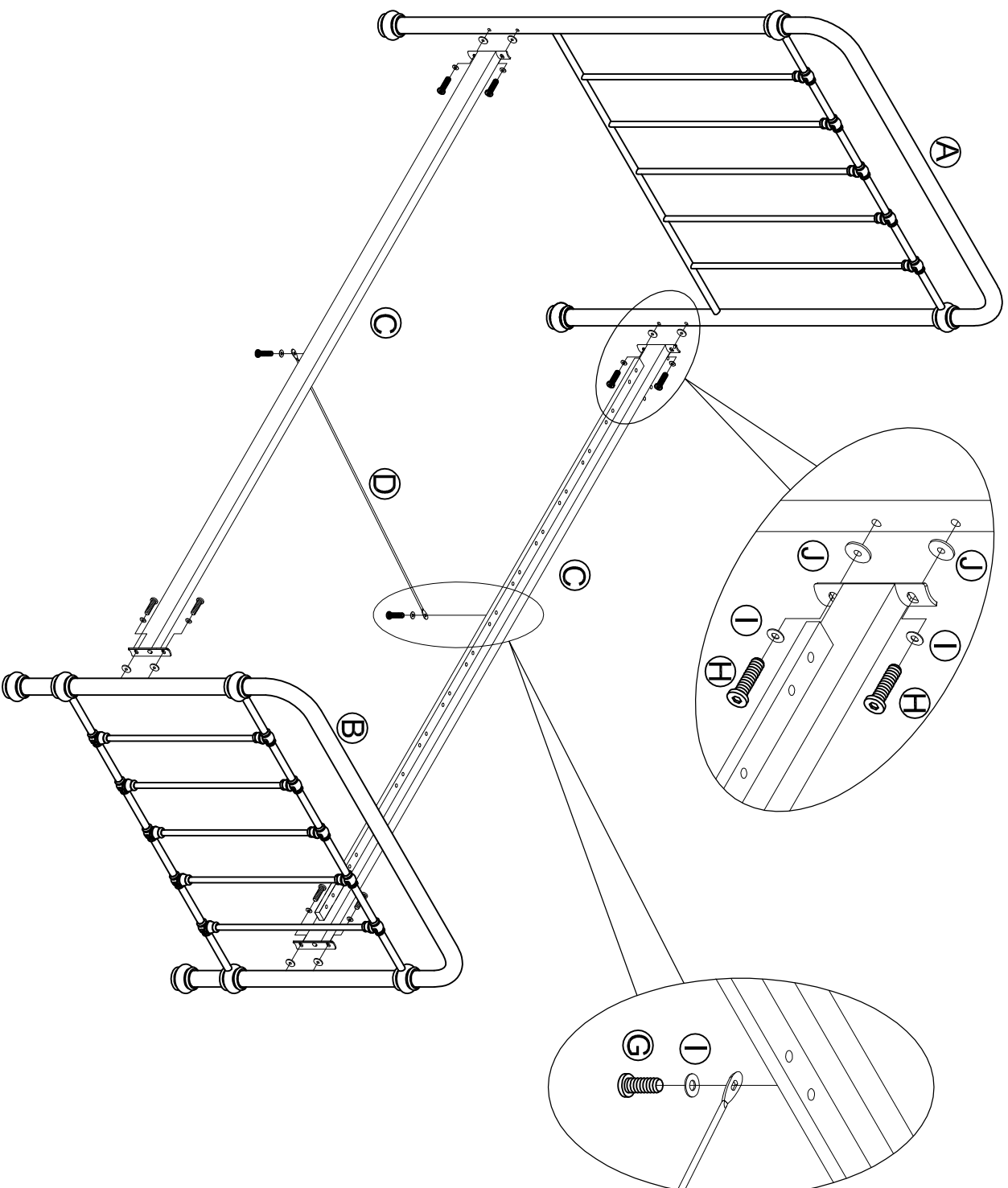
TOOLS REQUIRED:

- Please use Allen key

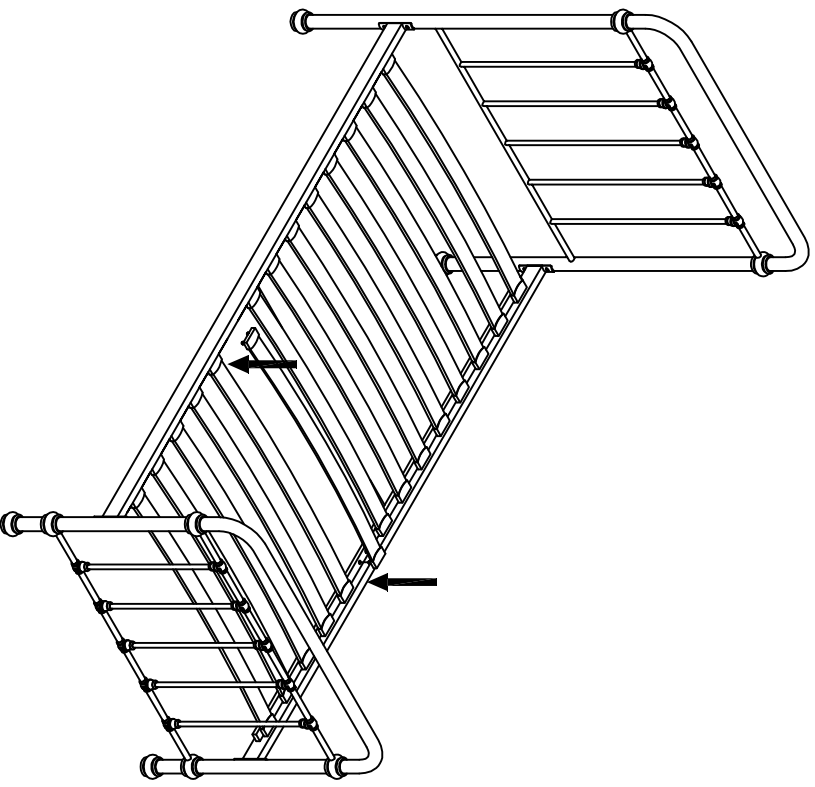
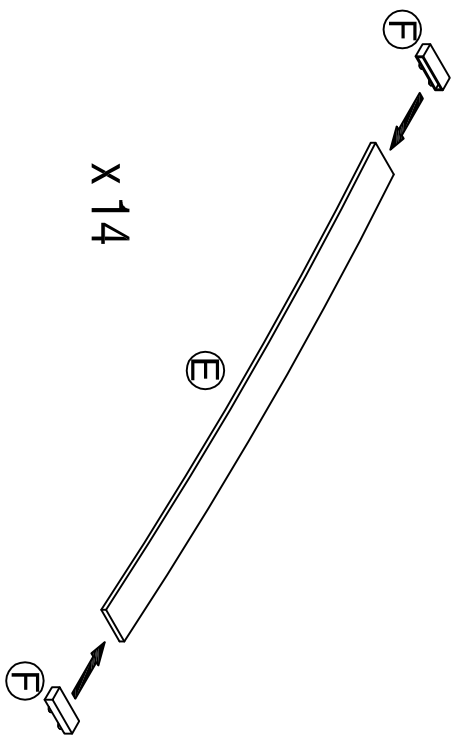


	PARTS	QTY
A		1PC
B		1PC
C		2PCS
D		1PC
E		14PCS
F		28PCS
G	 M6 x 15	2PCS
H	 M6 x 22	8PCS
I	 Ø16	10PCS
J	 Ø23	8PC
K	 M4	1PC

1



2



3

