

*Bedrooms by*  
**feather & black**

## MALVERN Bedstead

IMPORTANT READ CAREFULLY – RETAIN FOR FUTURE REFERENCE

**Thank you for buying the MALVERN Bedstead**

- Please take a few quiet minutes to read these instructions
- It is recommended that this product is assembled by two adults
- This product contains small parts, keep small children clear of the assembly area
- Lay out the parts on a clean, flat surface and compare with the parts checklist. Save all packaging until assembly is complete to avoid accidentally discarding fittings

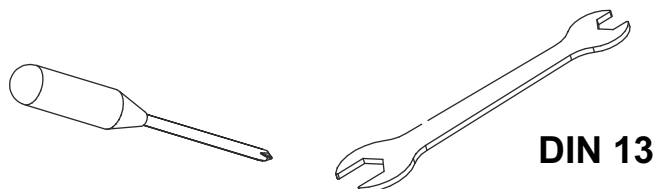
### PRODUCT SAFETY

- All assembly fastenings should always be tightened properly and care should be taken that no fittings are loose

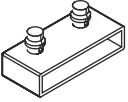
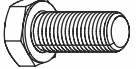
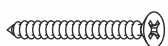
### PRODUCT CARE

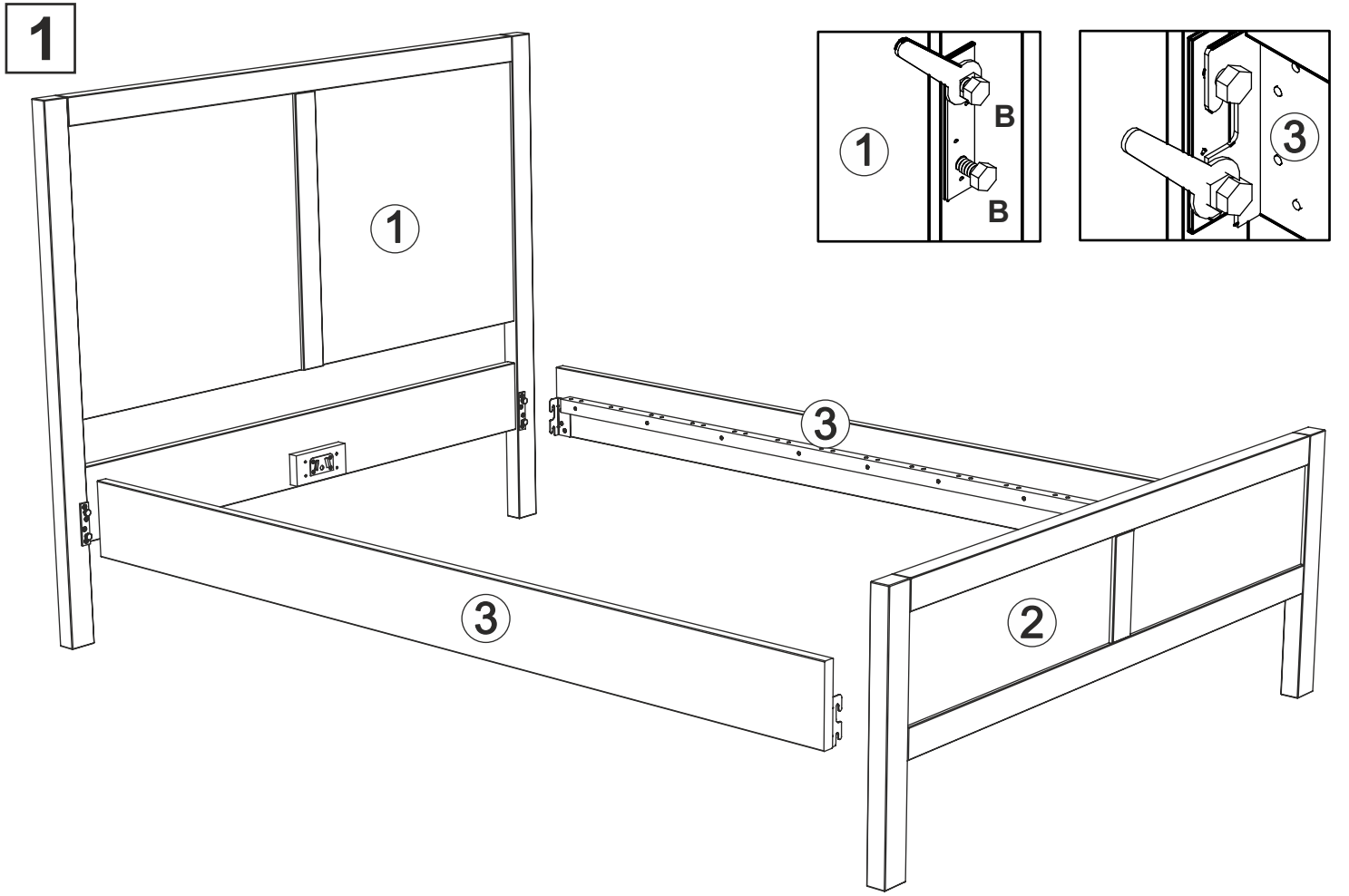
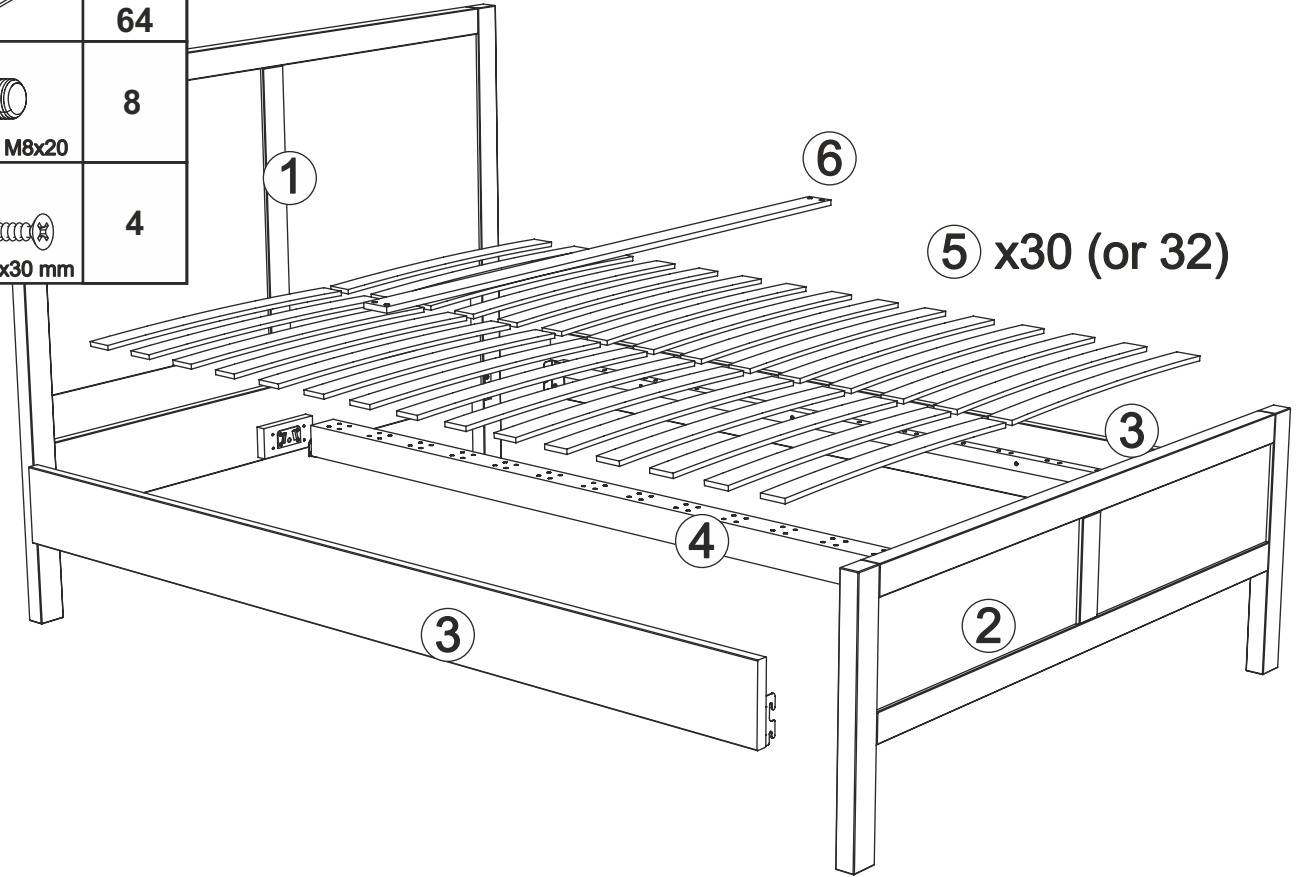
- Wipe clean using a soft damp cloth followed by dry cloth
- Do not use abrasives or cleaning products which may contain ammonia or solvents
- Take care when handling or moving the furniture. Careless handling can damage wooden furniture, try to lift rather than drag
- Colour may vary due to this being a natural product.

### TOOLS REQUIRED

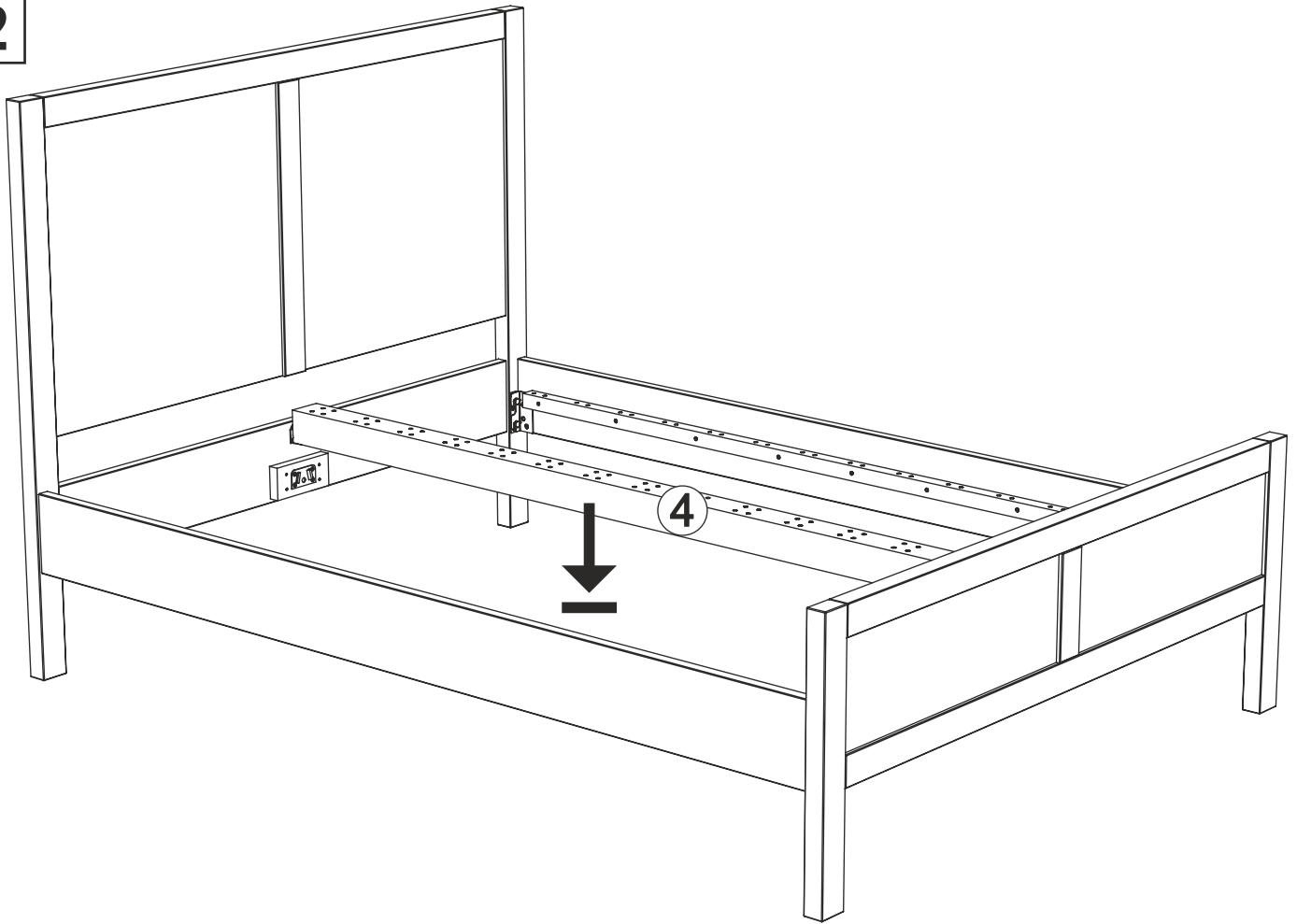


**DIN 13**

	PARTS	QTY
A		60 or 64
B	 M8x20	8
C	 Ø4x30 mm	4



2



3

