

Bedrooms by
feather & black

MALVERN 5 drawer Chest

IMPORTANT READ CAREFULLY – RETAIN FOR FUTURE REFERENCE

Thank you for buying the MALVERN 5 drawer Chest

- Please take a few quiet minutes to read these instructions
- It is recommended that this product is assembled by two adults
- This product contains small parts, keep small children clear of the assembly area
- Lay out the parts on a clean, flat surface and compare with the parts checklist. Save all packaging until assembly is complete to avoid accidentally discarding fittings

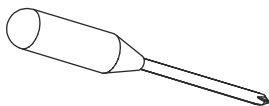
PRODUCT SAFETY

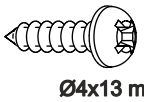
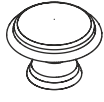

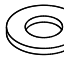

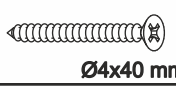
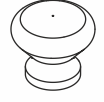
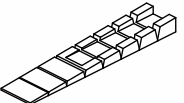
- All assembly fastenings should always be tightened properly and care should be taken that no fittings are loose

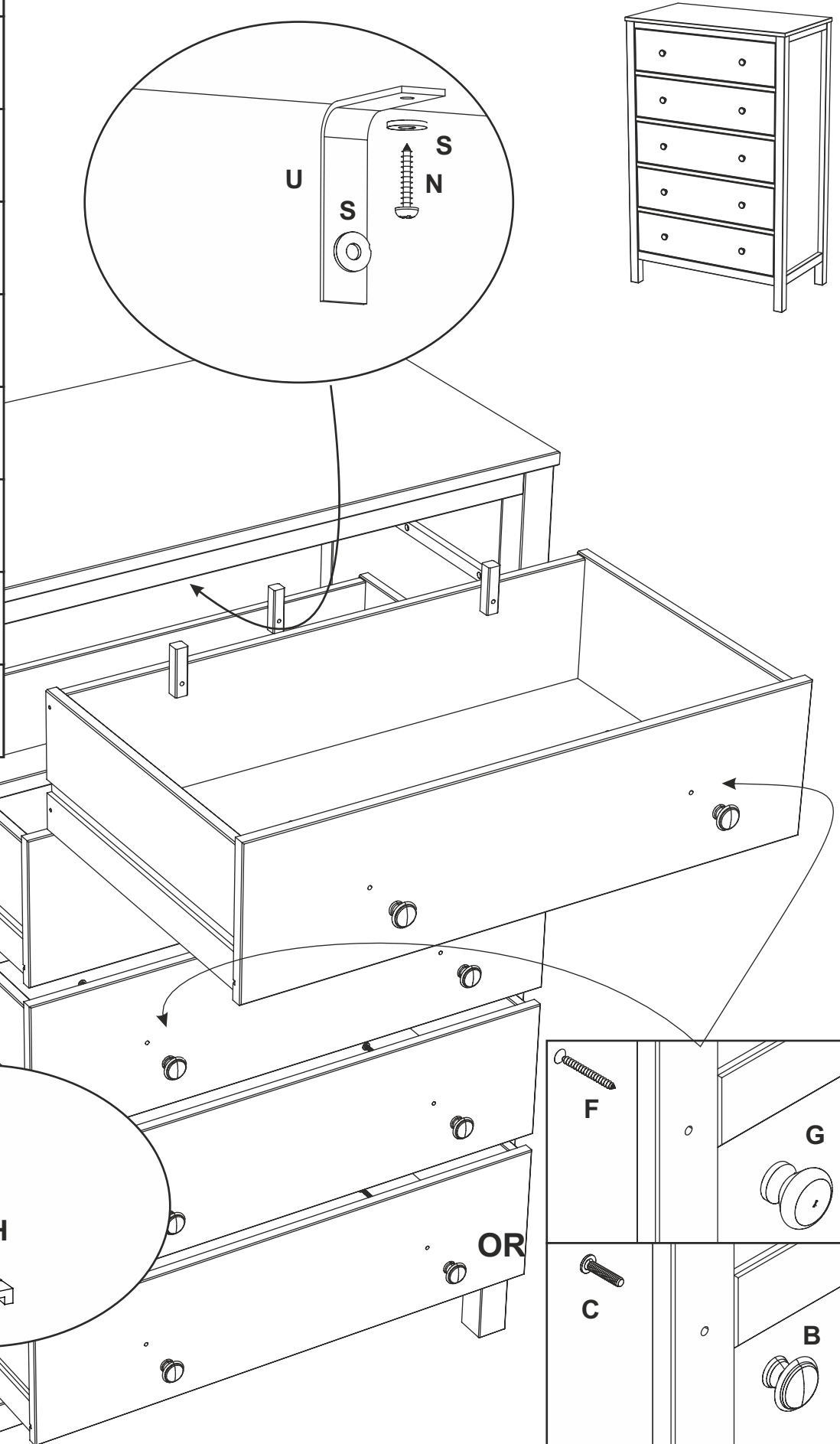
PRODUCT CARE


- Wipe clean using a soft damp cloth followed by dry cloth
- Do not use abrasives or cleaning products which may contain ammonia or solvents
- Take care when handling or moving the furniture. Careless handling can damage wooden furniture, try to lift rather than drag
- Colour may vary due to this being a natural product.

TOOLS REQUIRED



	PARTS	QTY
A	 Ø4x13 mm	1
B		10
C	 M4x22 mm	10
D		2
E		1
F	 Ø4x40 mm	10
G		10
H		1



 The wall fastening serves to prevent tipping – be absolutely sure to mount it! For certain wall types, a special wall plug may be necessary!