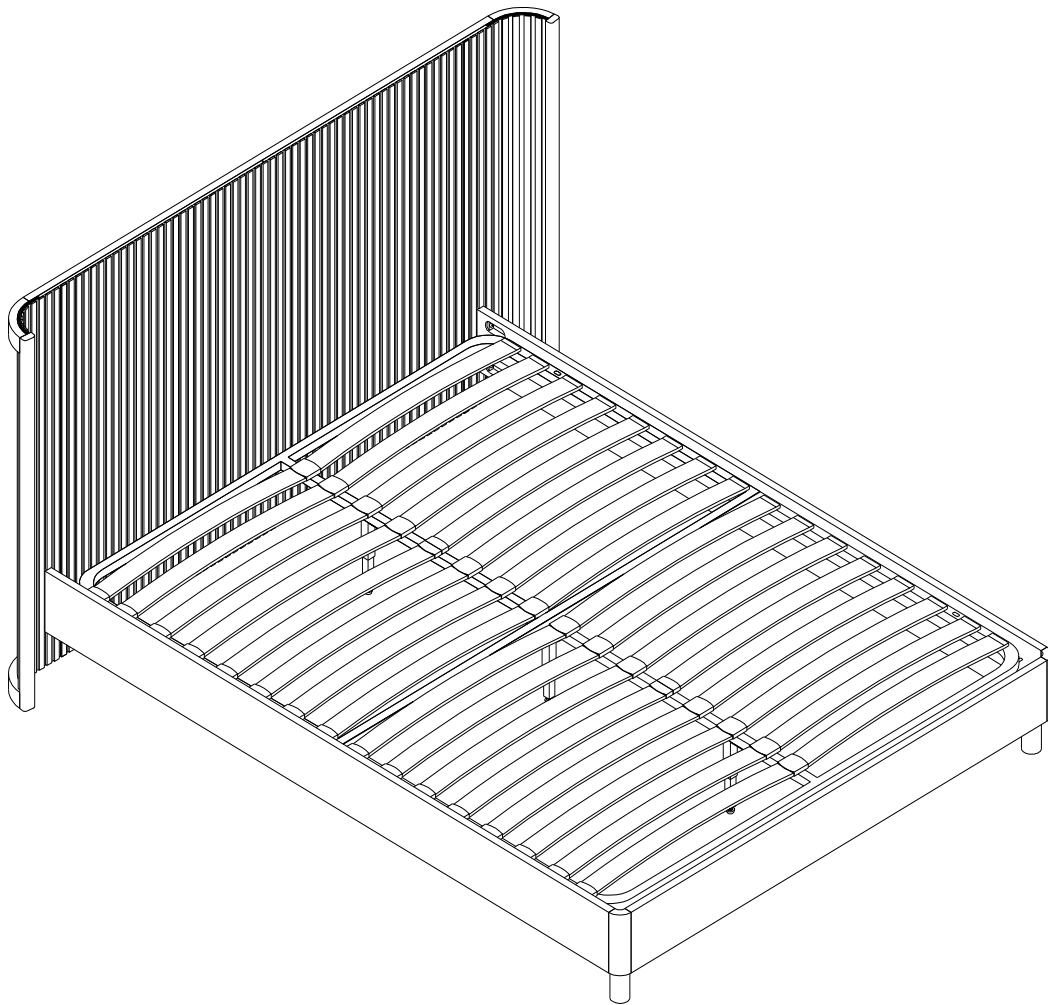


feather&black

Jacob Bed - Assembly Instructions

Product size: 1200mm H x 2096mm W x 2223mm D



If you require any advice during assembly, please call our customer service team on 01243 380600

Please retain these assembly instructions for future use

Jacob Bed Super King

Before you start

Thank you for purchasing this Jacob bed super king.

Please read these instructions fully prior to assembly to familiarise yourself with the various stages of construction. Carefully open all packs supplied and check the contents against the parts and fittings check list.

Do not destroy any of the packaging until you are certain that you have all the necessary parts for the assembly.

This item is heavy once assembled. Please try to assemble the item as close as possible to the point of use. Take care when moving the item to avoid personal injury or damage to the product and always lift rather than drag.

There are small components used in the construction of this furniture as well as plastic packaging, these should be kept away from young children whilst assembling.

Product Safety

All assembly fastenings should always be tightened properly, and care should be taken to ensure that no fittings are loose.

Periodically check and ensure that all components are in their proper position, free from damage, and that all connectors are tight.

Please note depending on the lighting, positioning and surroundings of your room, the shade of the colour can sometimes appear slightly different. Over a period of time the colour might lighten or fade slightly due to light exposure.

Product Care

To clean, slightly moisten cloth with water and wipe surfaces. A damp cloth holds dust and prevents damage. repeat with a dry, soft, lint-free cloth. Do not use abrasives or cleaning products which may contain ammonia or solvents.

Number of people required to assemble

Two people to assemble the product and two people to lift in to position.



Time to assemble



20 minutes

Necessary tools



Tape measure

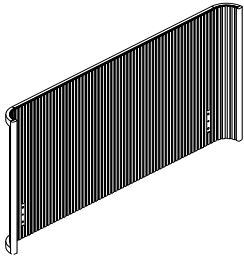
Missing parts or faulty products

If you are missing any fixtures or fittings during assembly, or a part is unfortunately faulty please call our customer service team on 01243 380600

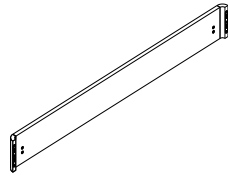
feather&black

Jacob Bed Super King

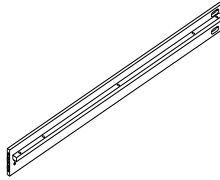
Components supplied (not actual size)



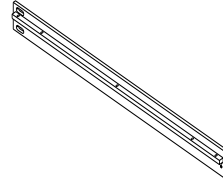
A: Headboard
1200x2223x137 (mm)
Quantity: 1



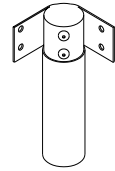
B: Footboard
180x1874x40 (mm)
Quantity: 1



C: Left side rail
180x2025x40 (mm)
Quantity: 1



D: Right side rail
180x2025x40 (mm)
Quantity: 1

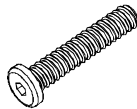


E: Leg
215x 86x86 (mm)
Quantity: 2

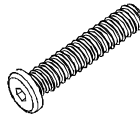
Fixtures and fittings supplied (not actual size)



F: Bolt
M6x15 (mm)
Quantity: 8 pcs



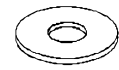
G: Bolt
M6x45 (mm)
Quantity: 4 pcs



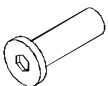
H: Bolt
M8x55 (mm)
Quantity: 4 pcs



J: Dome Washer
M8 (mm)
Quantity: 4 pcs



K: Flat Washer
M6 (mm)
Quantity: 4 pcs



L: Sleeve Nut
M6x20 (mm)
Quantity: 4 pcs

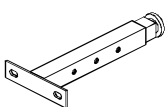


M: Wood Dowel
M10x30 (mm)
Quantity: 2 pcs

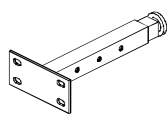


N: Allen Key
M4x110 (mm)
Quantity: 2 pcs

Note: The following fitting will be found in the box which contains the Sprung Frame, NOT with the bedframes Assembly Kit



O: Center leg
Quantity: 2 pcs



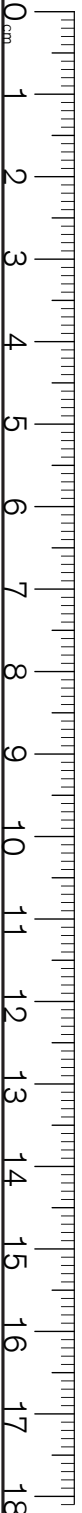
P: Center leg
Quantity: 1 pc



Q: Bolt
M6x20 (mm)
Quantity: 8 pcs



R: Washer
M6 (mm)
Quantity: 8 pcs

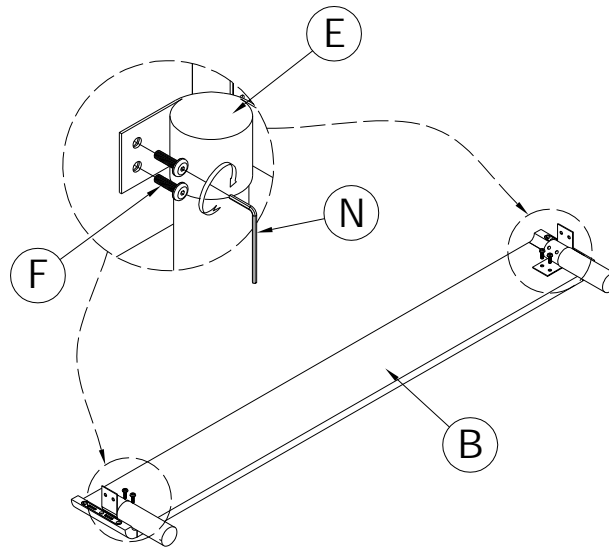


feather&black

Jacob Bed Super King

10.

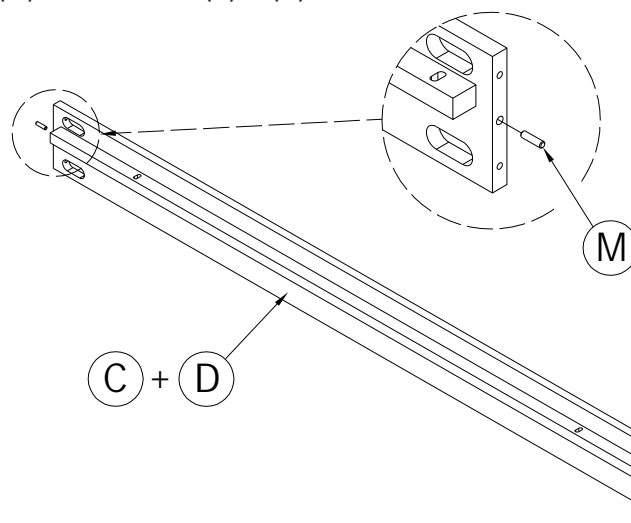
Use bolts (F) to fix the legs (E) onto the Footboard (B) by using allen key (N).



F: Bolt M6x15mm N: Allen Key

11.

Insert wood dowels (M) into side rail (C) & (D).

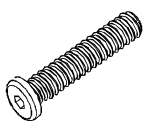
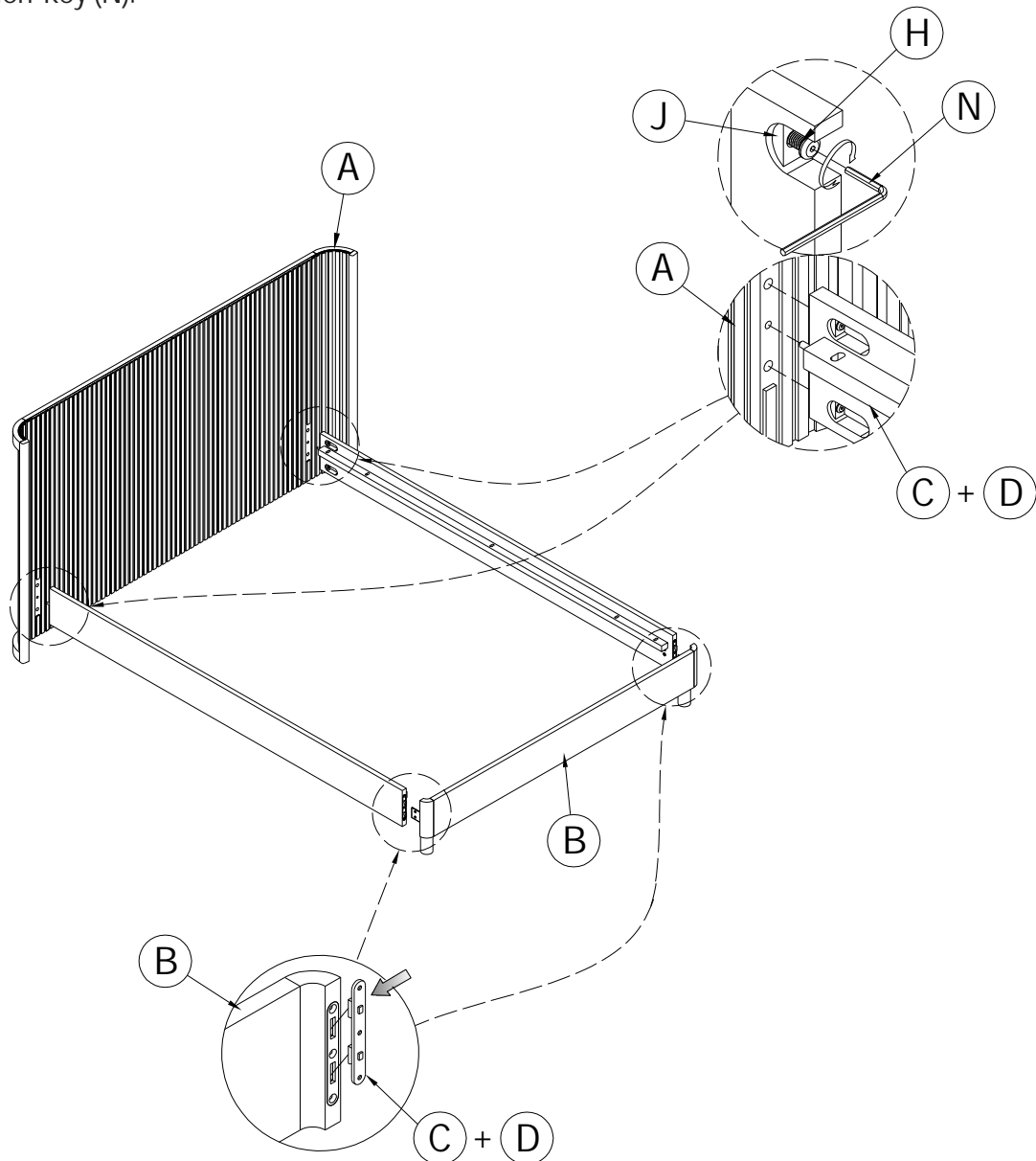


M: wood dowel

Jacob Bed Super King

12.

- Secure side rail (C) & (D) to the Footboard (B) using the metal bracket on the side rail.
- Position side rail (C) & (D) onto the Headboard (A) by aligning the wood dowels with the pre-drilled holes.
- Secure the side rail onto the Headboard using bolt (H), dome washer (J), and allen key (N).



H: Bolt M8x55mm



J: Dome washer

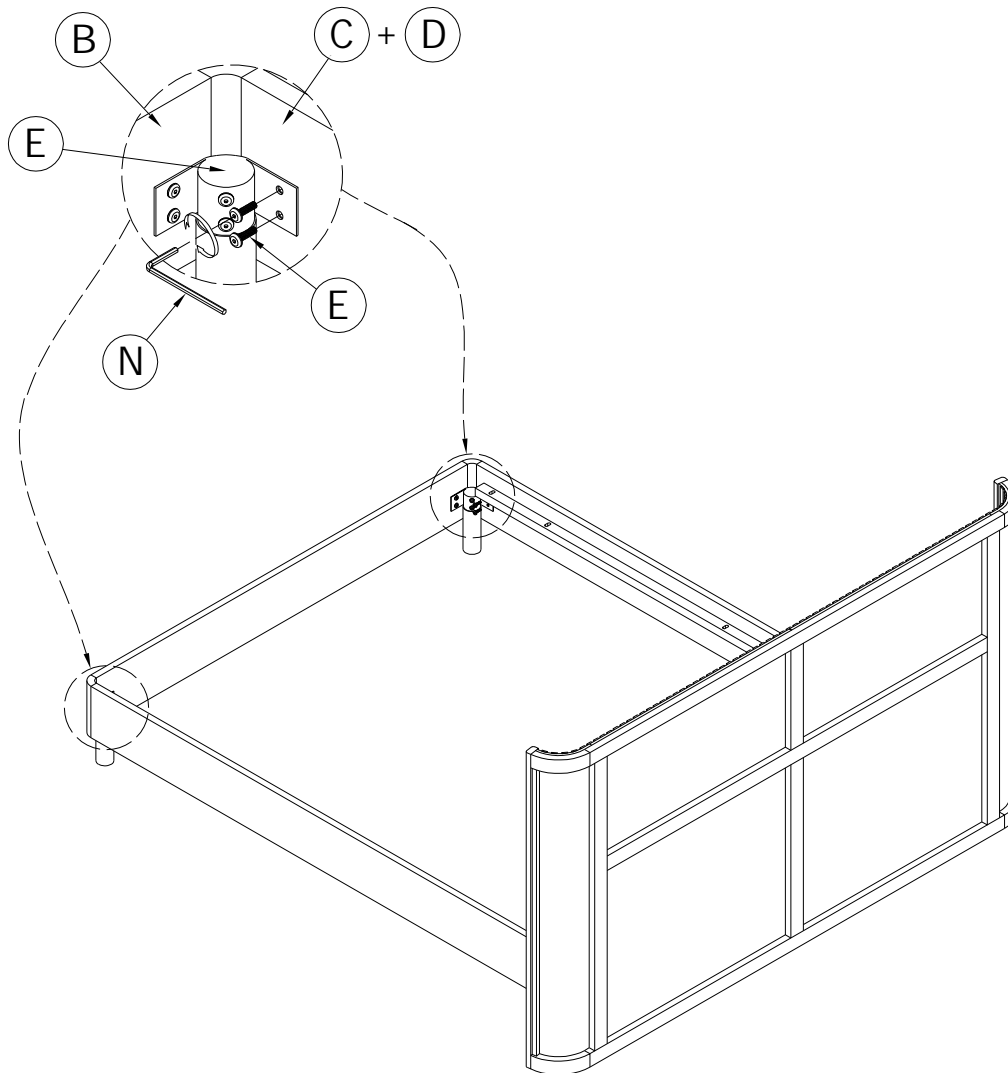


N: Allen Key

Jacob Bed Super King

12.

Use bolts (F) and allen key (N) to attach the legs (E) to side rail (C) and (D)



F: Bolt M6x15mm

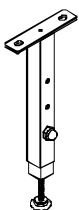
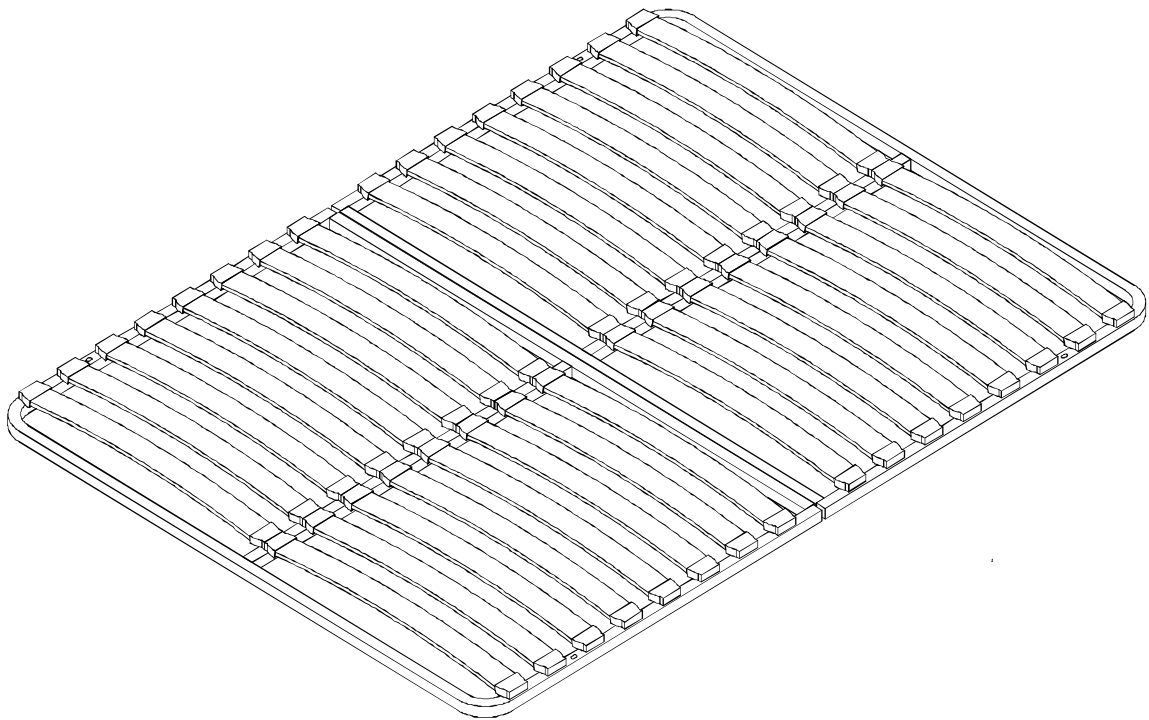


N: Allen Key

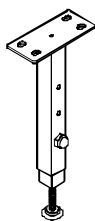
Jacob Bed Super King

12.

Sprung slat system



O: Center Leg

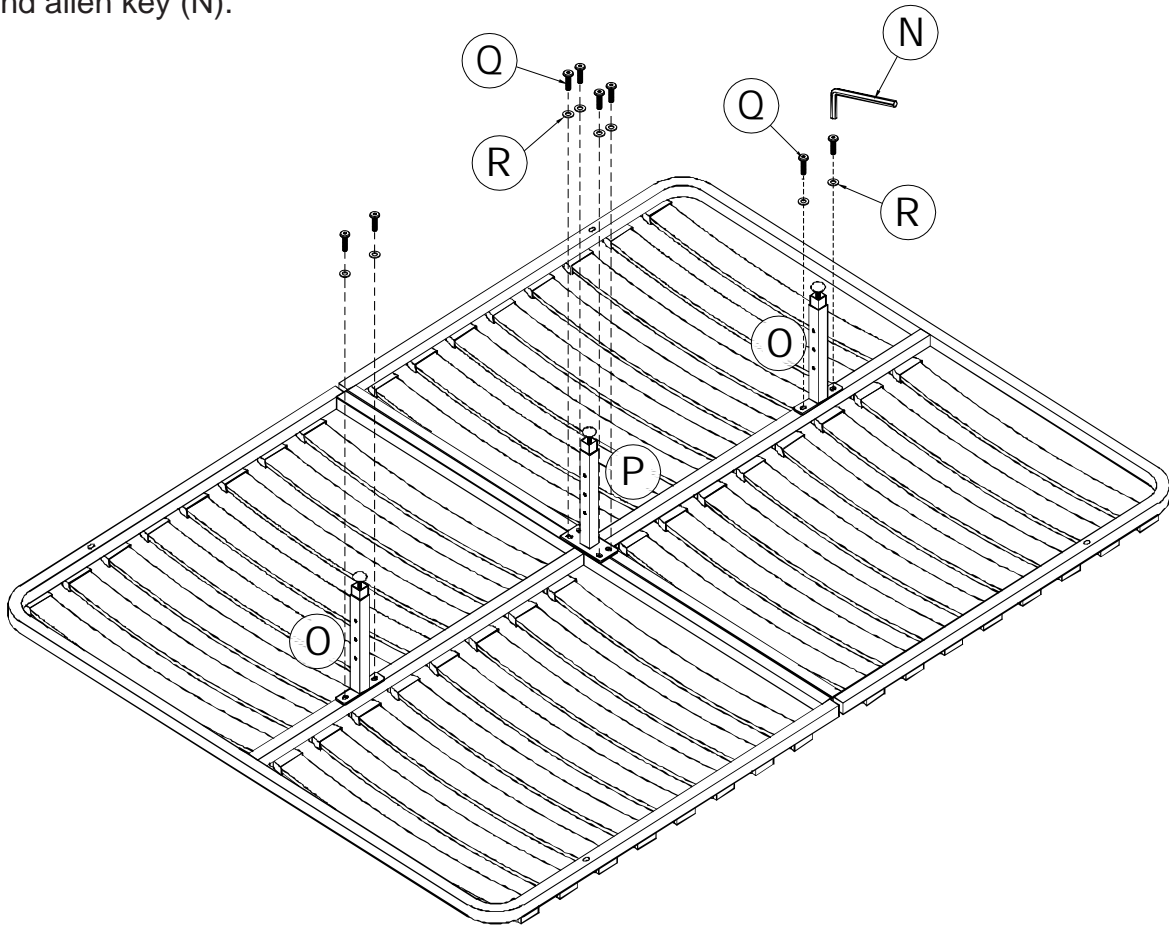


P: Center leg

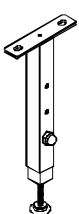
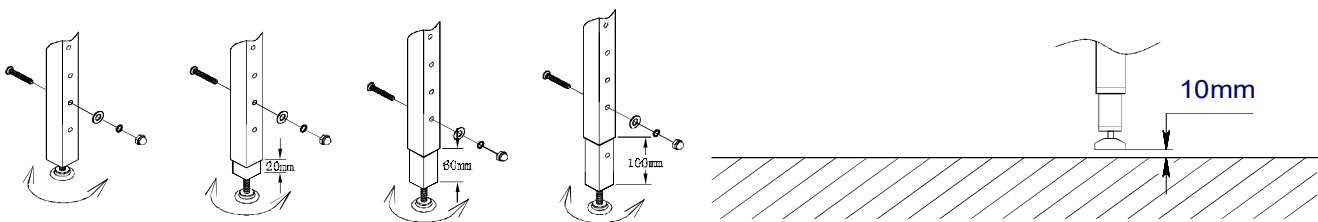
Jacob Bed Super King

12.

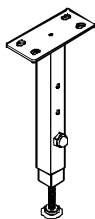
Secure the center legs (O) & (P) onto the frame using bolts (Q), washer (R), and allen key (N).



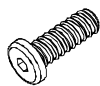
Adjust leg height to suit bed frame



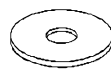
O: Center Leg



P: Center leg



Q: Bolt M6x20mm



R: Flat washer

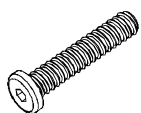
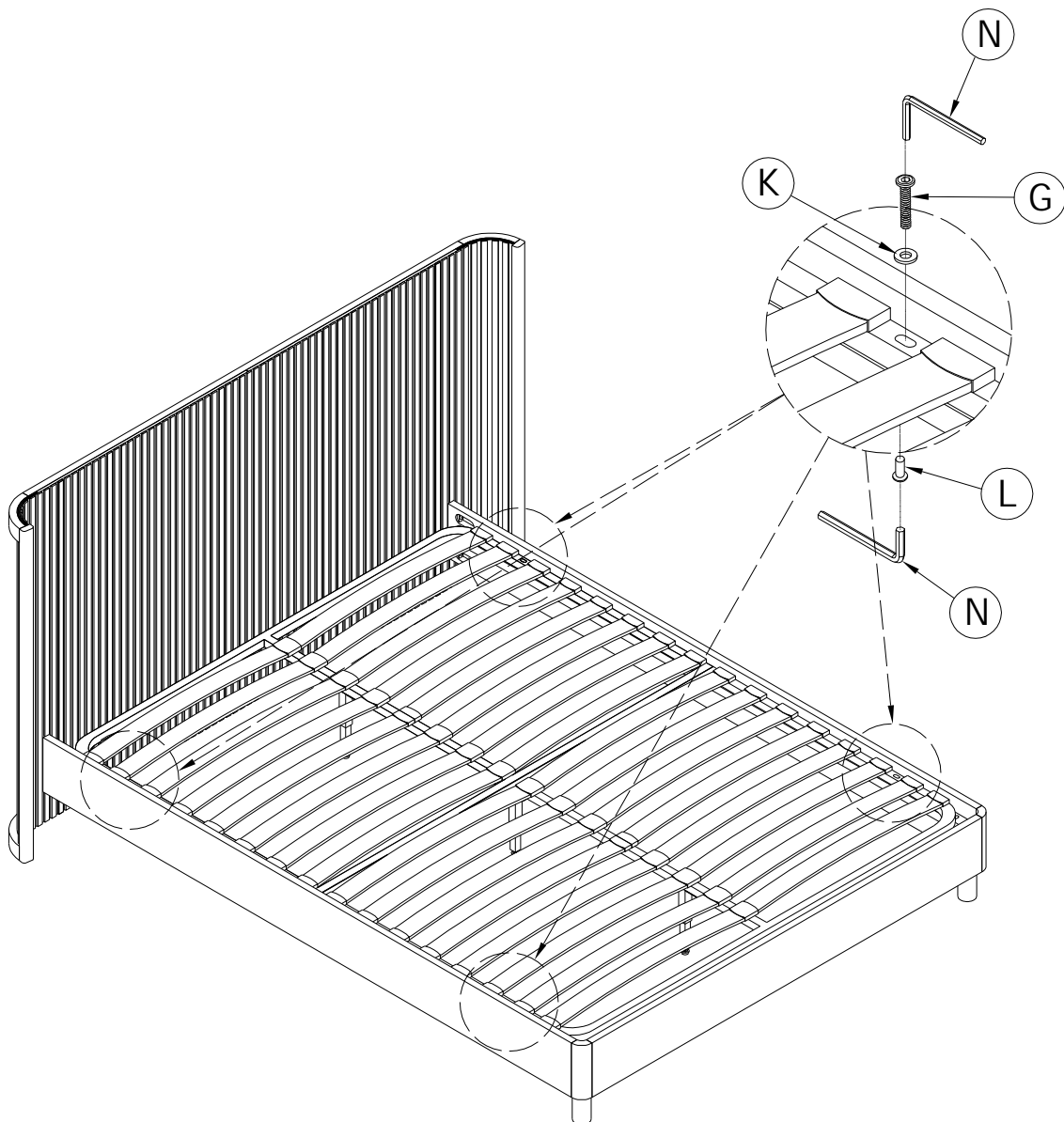


N: Allen Key

Jacob Bed Super King

12.

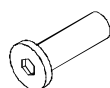
- Turn the metal slat frame upward and carefully lower it into the bed. Ensure the frame rests on the side rail, align the holes in the slat frame with those in the side rail.
- Secure the slat frame to the side rail by threading bolts (G) & flat washer (K) through the corresponding holes into the sleeve nuts (L). Finally, tighten the bolts (G) using allen key (N).



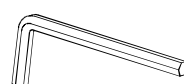
G: Bolt M6x45mm



K: Flat washer



L: Sleeve nut



N: Allen Key