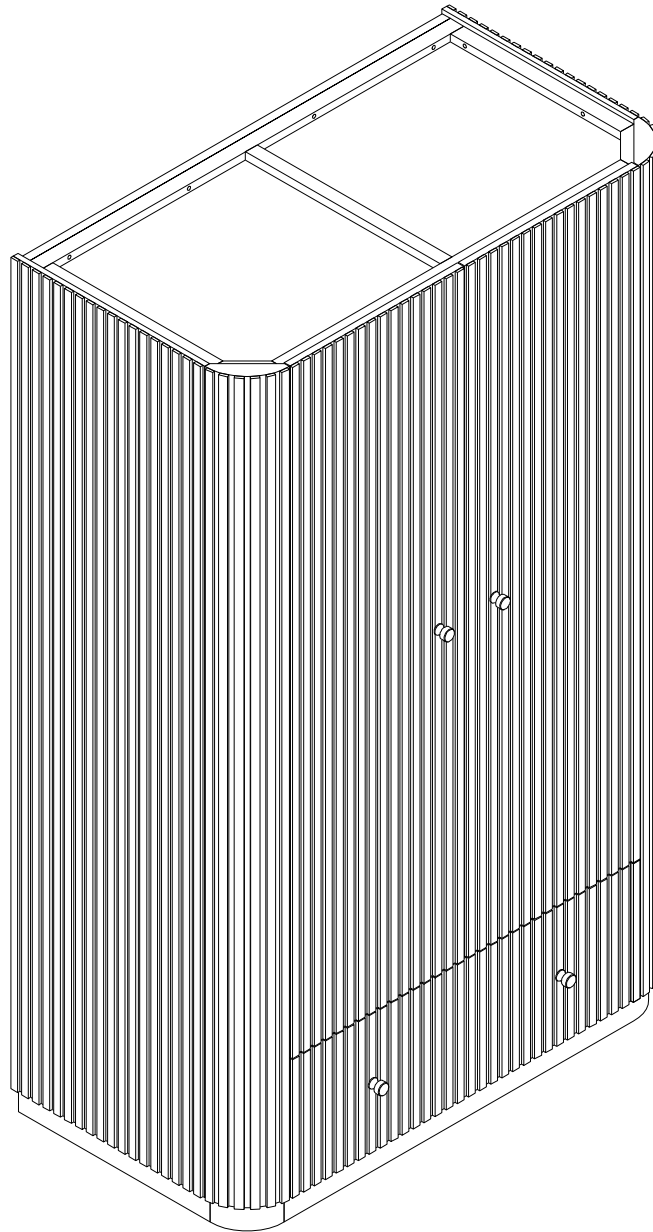


## Jacob Wardrobe - Assembly Instructions

Product size: 1870mm H x 1100mm W x 593mm D



If you require any advice during assembly, please call our customer service team on 01243 380600

**Please retain these assembly instructions for future use**

# feather&black

## Jacob Wardrobe

### Before you start

Thank you for purchasing this Jacob Wardrobe.

Please read these instructions fully prior to assembly to familiarise yourself with the various stages of construction. Carefully open all packs supplied and check the contents against the parts and fittings check list.

Do not destroy any of the packaging until you are certain that you have all the necessary parts for the assembly.

This item is heavy once assembled. Please try to assemble the item as close as possible to the point of use. Take care when moving the item to avoid personal injury or damage to the product and always lift rather than drag.

There are small components used in the construction of this furniture as well as plastic packaging, these should be kept away from young children whilst assembling.

#### Product Safety

All assembly fastenings should always be tightened properly, and care should be taken to ensure that no fittings are loose.

Periodically check and ensure that all components are in their proper position, free from damage, and that all connectors are tight.

Please note depending on the lighting, positioning and surroundings of your room, the shade of the colour can sometimes appear slightly different. Over a period of time the colour might lighten or fade slightly due to light exposure.

#### Product Care

To clean, slightly moisten cloth with water and wipe surfaces. A damp cloth holds dust and prevents damage. repeat with a dry, soft, lint-free cloth. Do not use abrasives or cleaning products which may contain ammonia or solvents.

#### Number of people required to assemble

Two people to assemble the product and two people to lift in to position.



#### Time to assemble



60 minutes

#### Necessary tools



Flathead  
Screwdriver



Crosshead  
Screwdriver



Tape measure

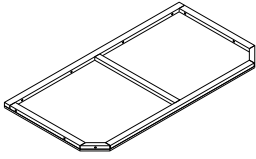
#### Missing parts or faulty products

If you are missing any fixtures or fittings during assembly, or a part is unfortunately faulty please call our customer service team on 01243 380600

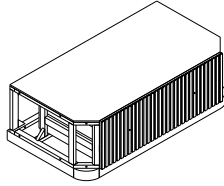
# feather&black

## Jacob Wardrobe

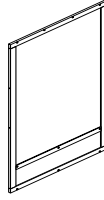
### Components supplied (not actual size)



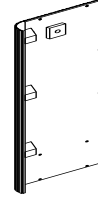
A: Top Frame  
27x1064x551(mm)  
Quantity: 1 part



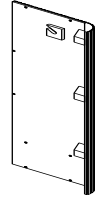
B: Bottom Frame  
302x1064x552 (mm)  
Quantity: 1 part



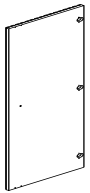
C: Back Frame  
1800x1064x20 (mm)  
Quantity: 1 part



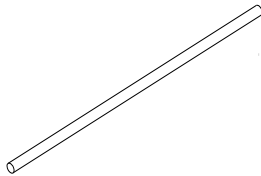
D: Left side  
1810x112x594 (mm)  
Quantity: 1 part



E: Right side  
1810x112x594 (mm)  
Quantity: 1 part

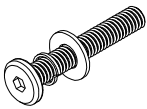


F: Door  
1506x435x21 (mm)  
Quantity: 2 parts



G: Hanger Pole  
28x1060 (mm)  
Quantity: 1 part

### Fixtures and fittings supplied (not actual size)



H: Bolt + Lock & Flat Washer  
M6x45 (mm)  
Quantity: 28 sets



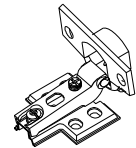
J: Bolt  
M6x25 (mm)  
Quantity: 4 pcs



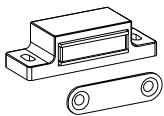
K: Curved Washer  
M6 (mm)  
Quantity: 4 pcs



L: Allen Key  
M4x110 (mm)  
Quantity: 2 pcs



M: Door Hinge  
Quantity: 6 pcs



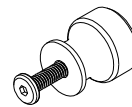
N: Magnet & Plate  
Quantity: 2 sets



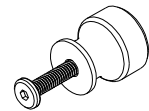
O: Phillip Screw  
M4x15 (mm)  
Quantity: 36 pcs



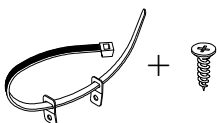
P: Phillip Screw  
M3.5x15 (mm)  
Quantity: 8 pcs



Q: Handle + Bolt  
M6x30 (mm)  
Quantity: 2 sets



R: Handle + Bolt  
M6x35 (mm)  
Quantity: 2 sets



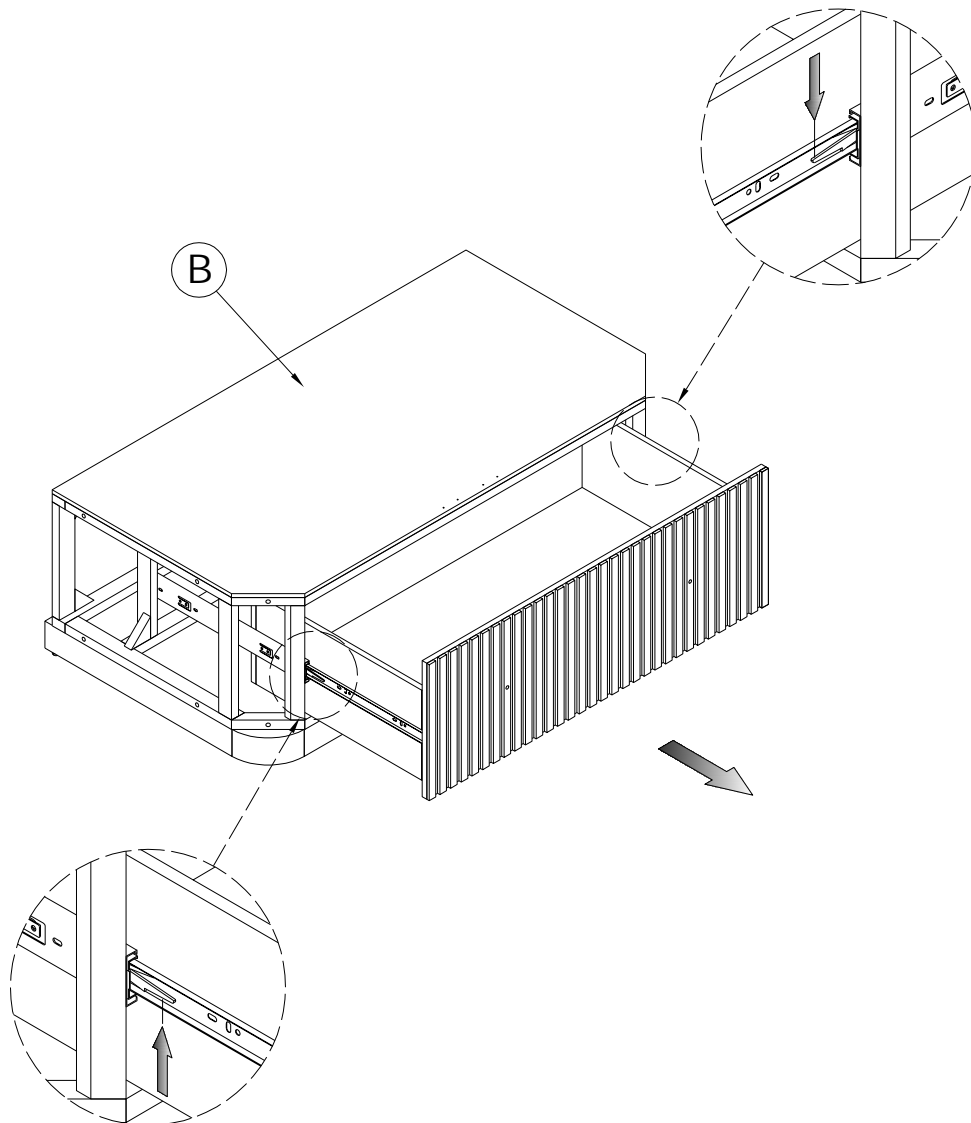
S: Wall Fixing  
Quantity: 2 sets



## Jacob Wardrobe

1.

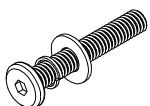
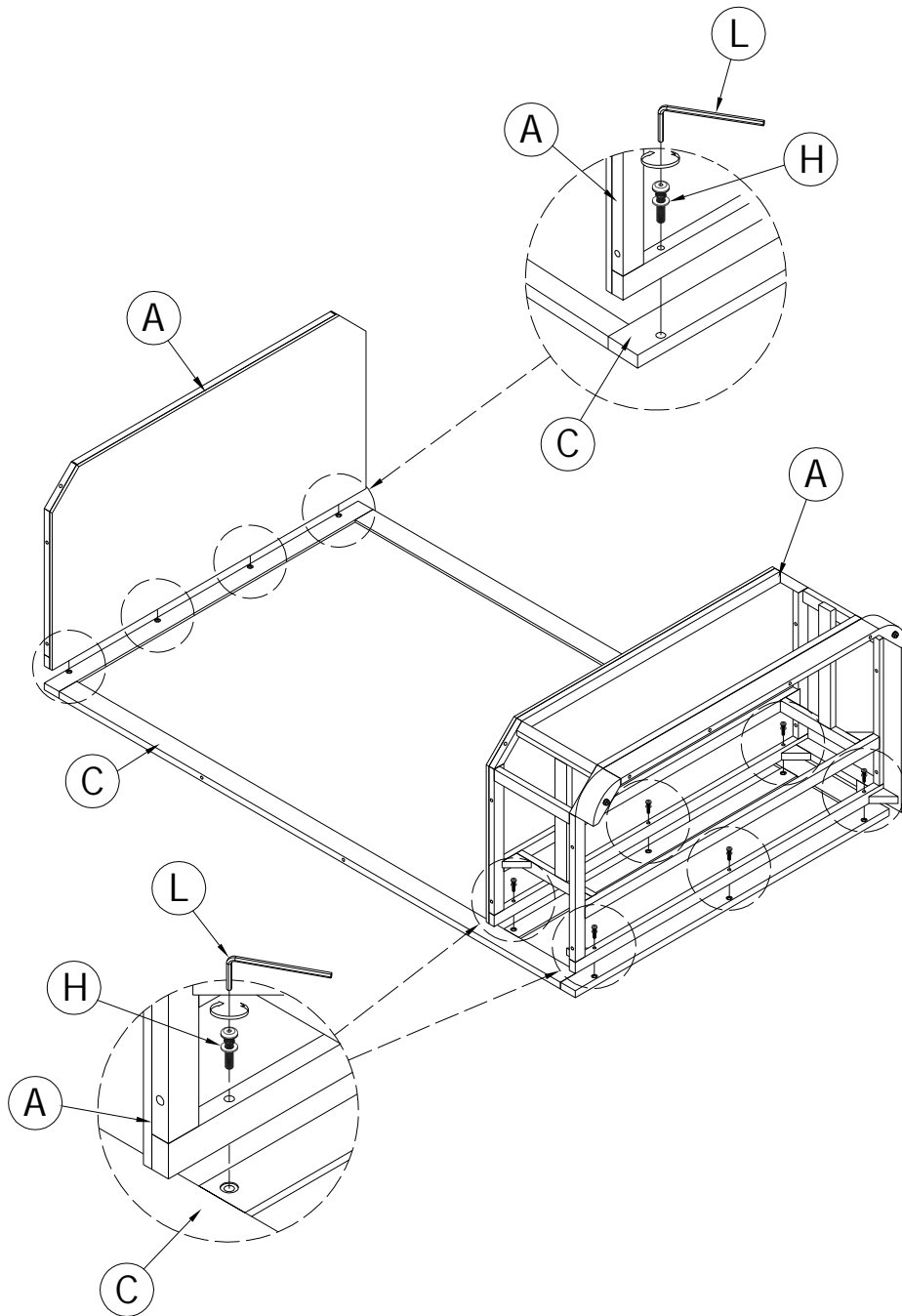
Remove the drawer out of the bottom frame (B) by simultaneously pressing the lock on both sliding rails.



## Jacob Wardrobe

2.

Attach the top frame (A) and bottom frame (B) to back frame (C) using bolts with washers (H) and allen key (L).



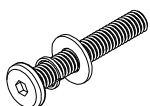
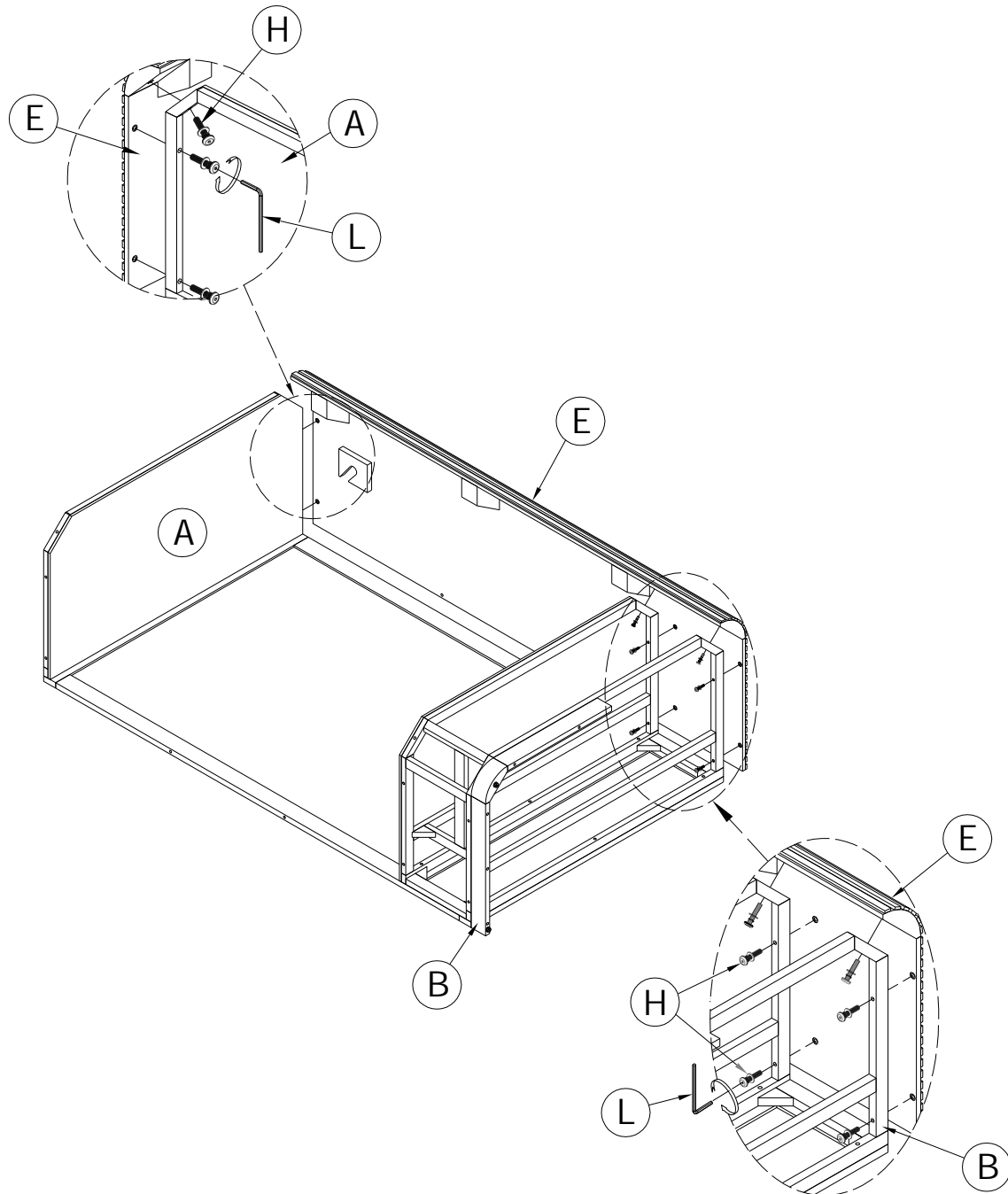
H: Bolt M6x45mm

L: Allen Key

## Jacob Wardrobe

3.

Attach side (E) to the top frame (A) and bottom frame (B) using bolts with washers (H) and allen key (L).



H: Bolt M6x45mm



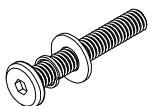
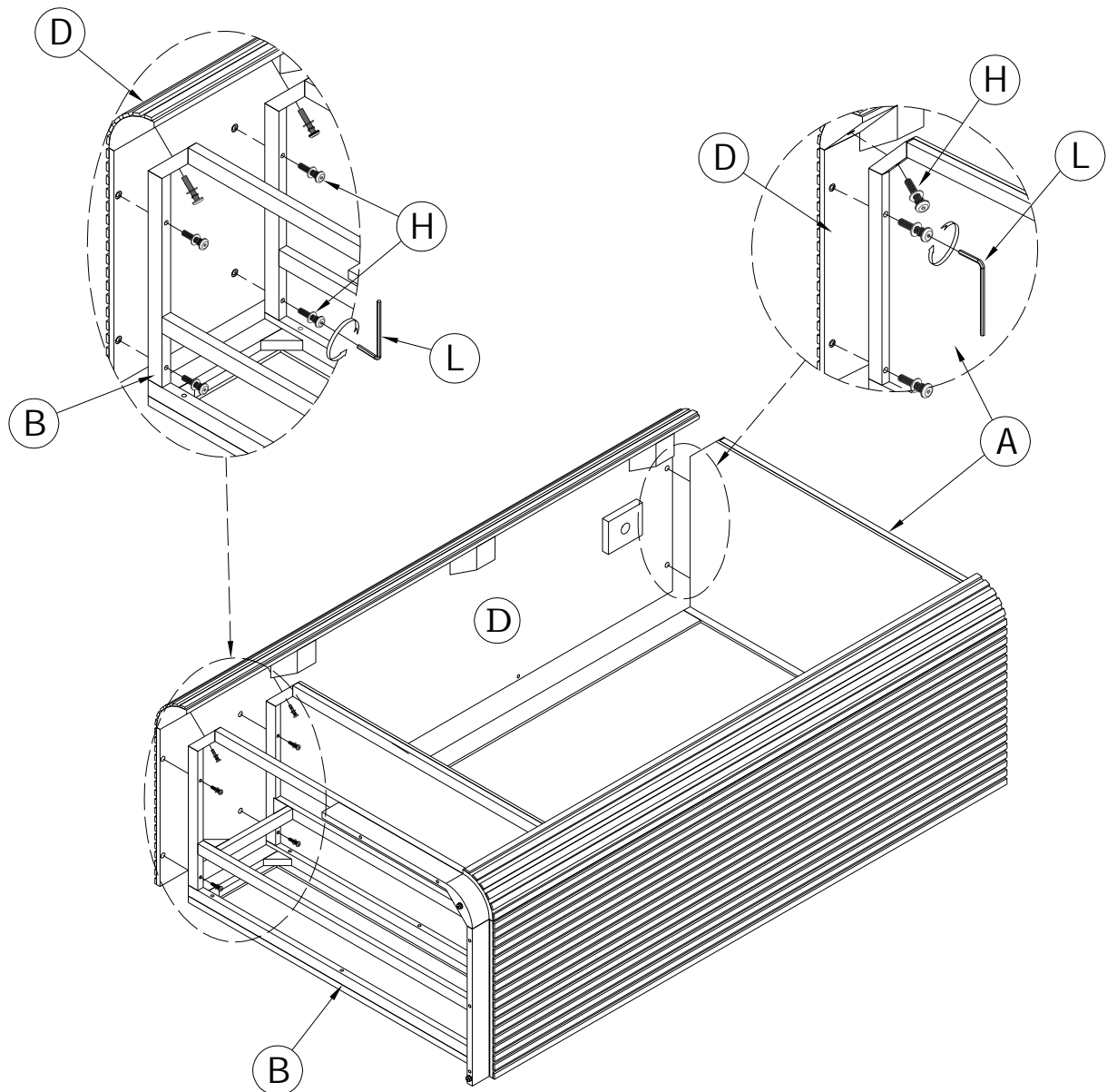
L: Allen Key

# feather&black

## Jacob Wardrobe

4.

Repeat on the other side (D).



H: Bolt M6x45mm

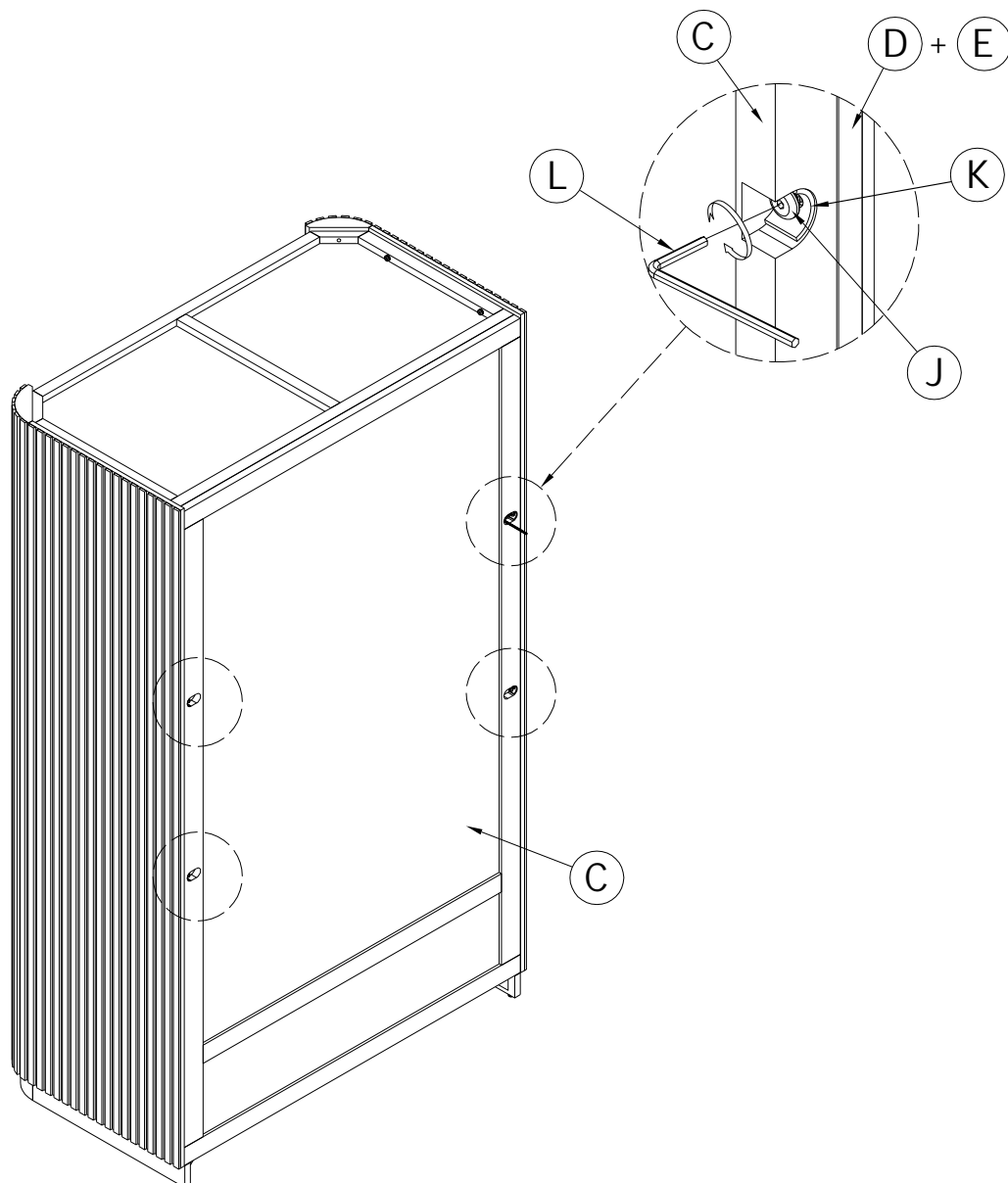


L: Allen Key

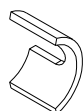
## Jacob Wardrobe

5.

Secure the back frame (C) to sides (D) and (E) using bolts (J), curved washer (K) and allen key (L).



J: Bolt M6x25mm



K: Curved washer



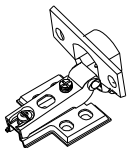
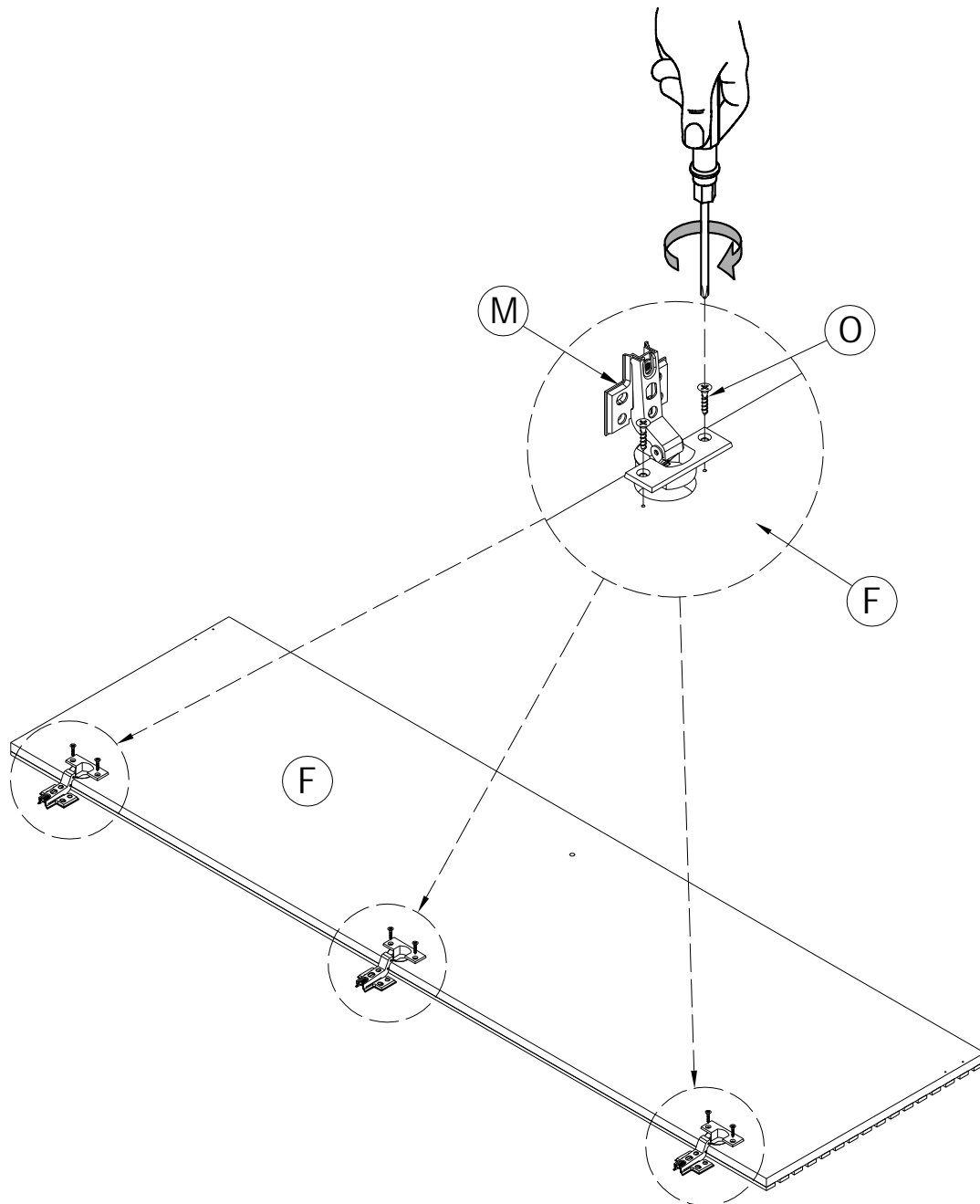
L: Allen Key



## Jacob Wardrobe

6.

Attach Hinges (M) to the doors (F) using screws (O) into pre-drilled holes on the doors.



M: Door Hinge

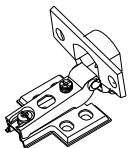
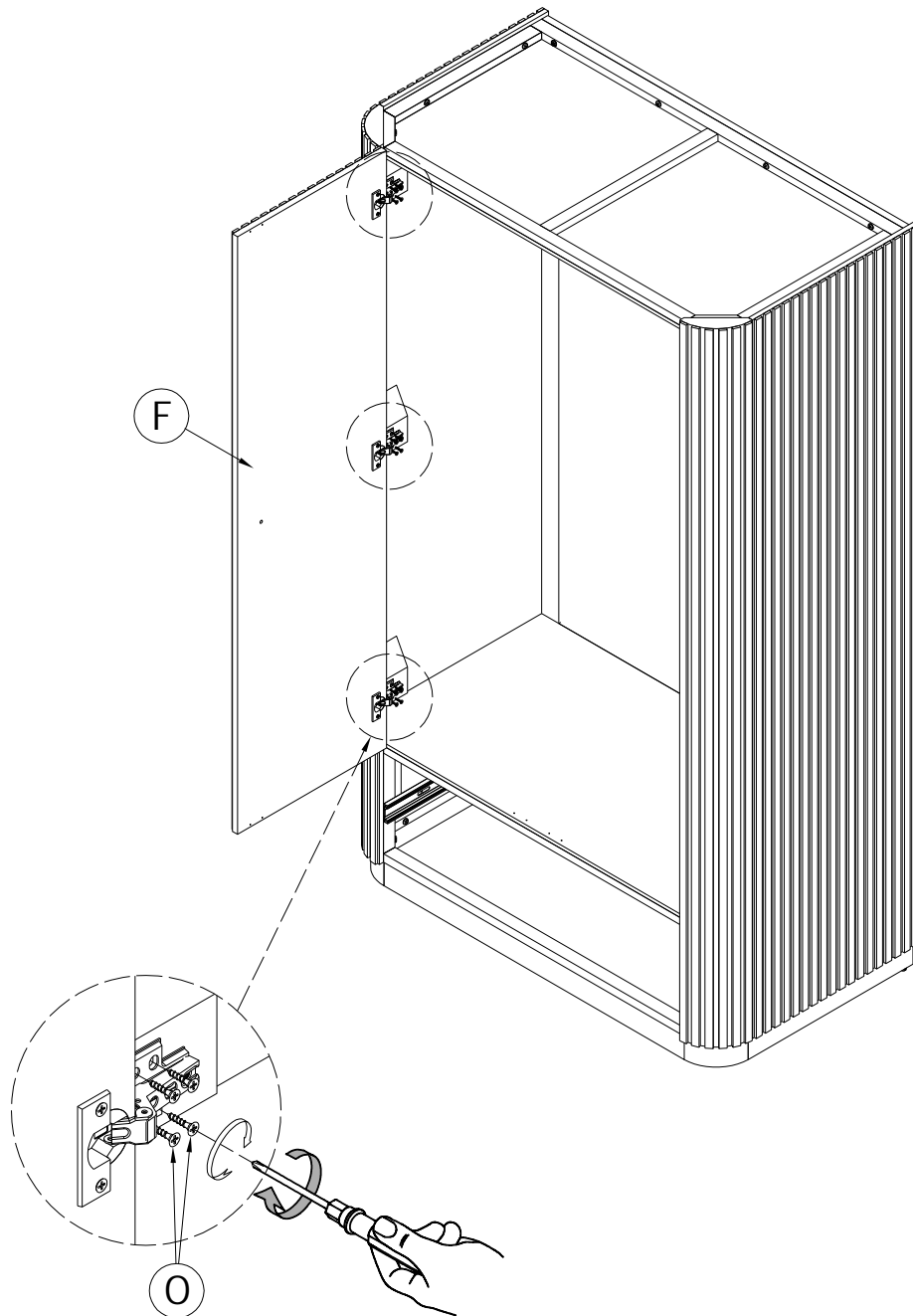


O: Phillip screw M4x15mm

## Jacob Wardrobe

7.

Attach doors (F) to both sides (D) & (E) using screws (O) into pre-drilled holes on sides.



M: Door Hinge

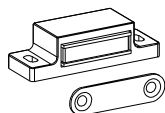
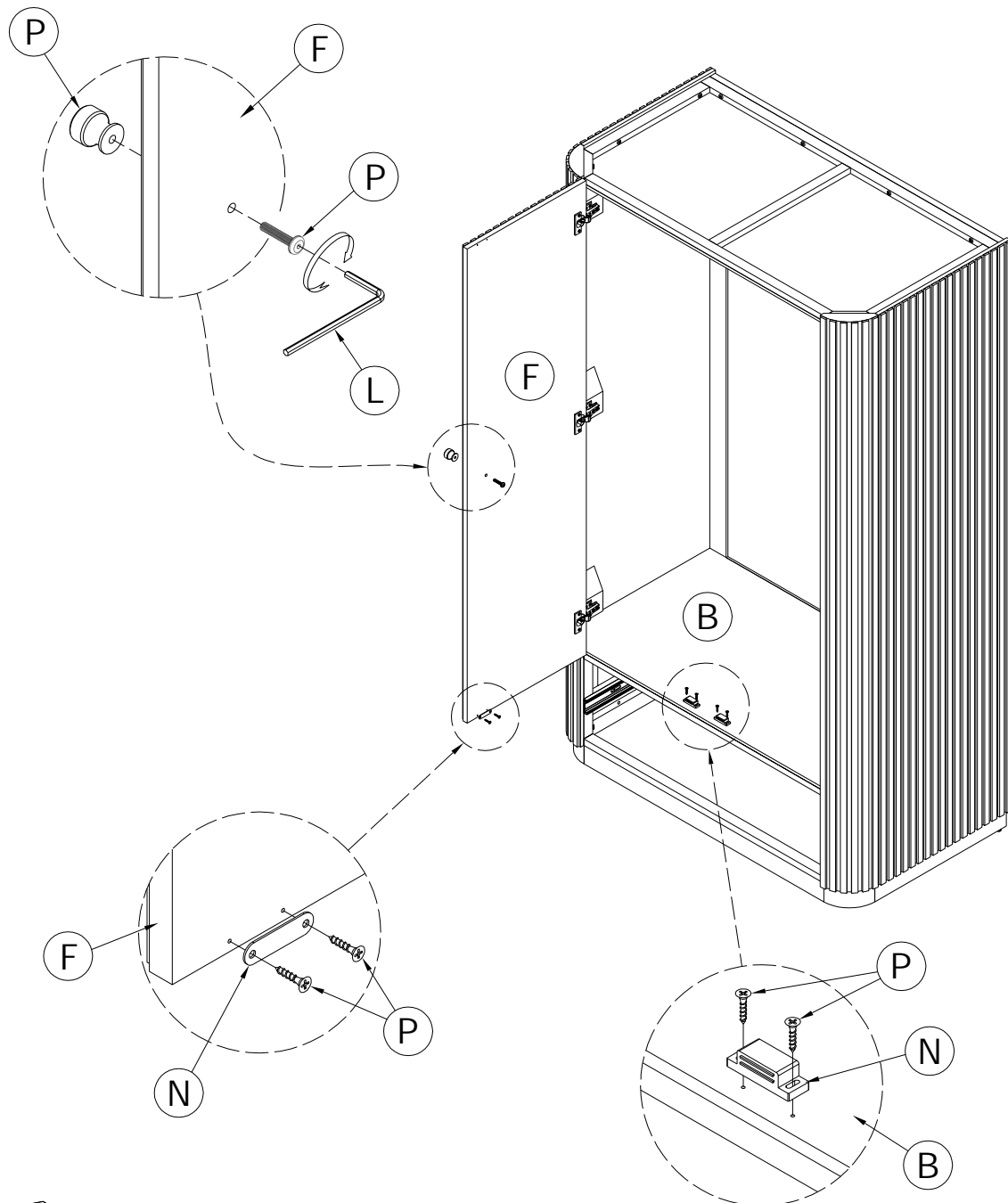


O: Phillip screw M4x15mm

## Jacob Wardrobe

8.

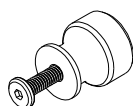
Attach handles (O) to doors (F) by using bolt (attached to handle) and allen key (K).



N: Door Hinge



P: Phillip screw  
M3.5x15mm



P: Handle & Bolt  
M6x30mm

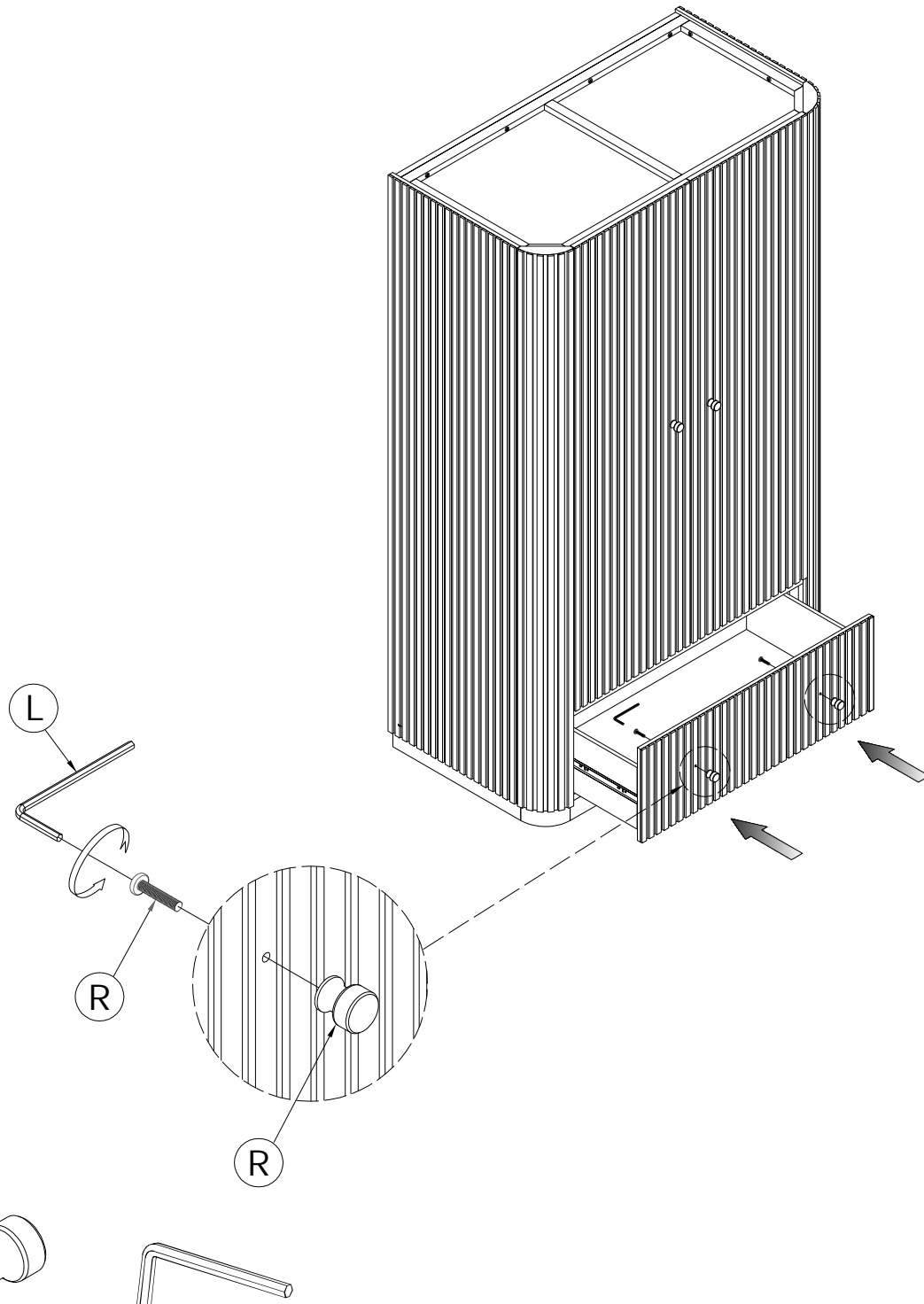


L: Allen Key

## Jacob Wardrobe

9.

Attach handles (R) to bottom drawer (B) by using bolts (attached to handle) and allen key (L). Then put the drawer back to the Bottom frame (B).



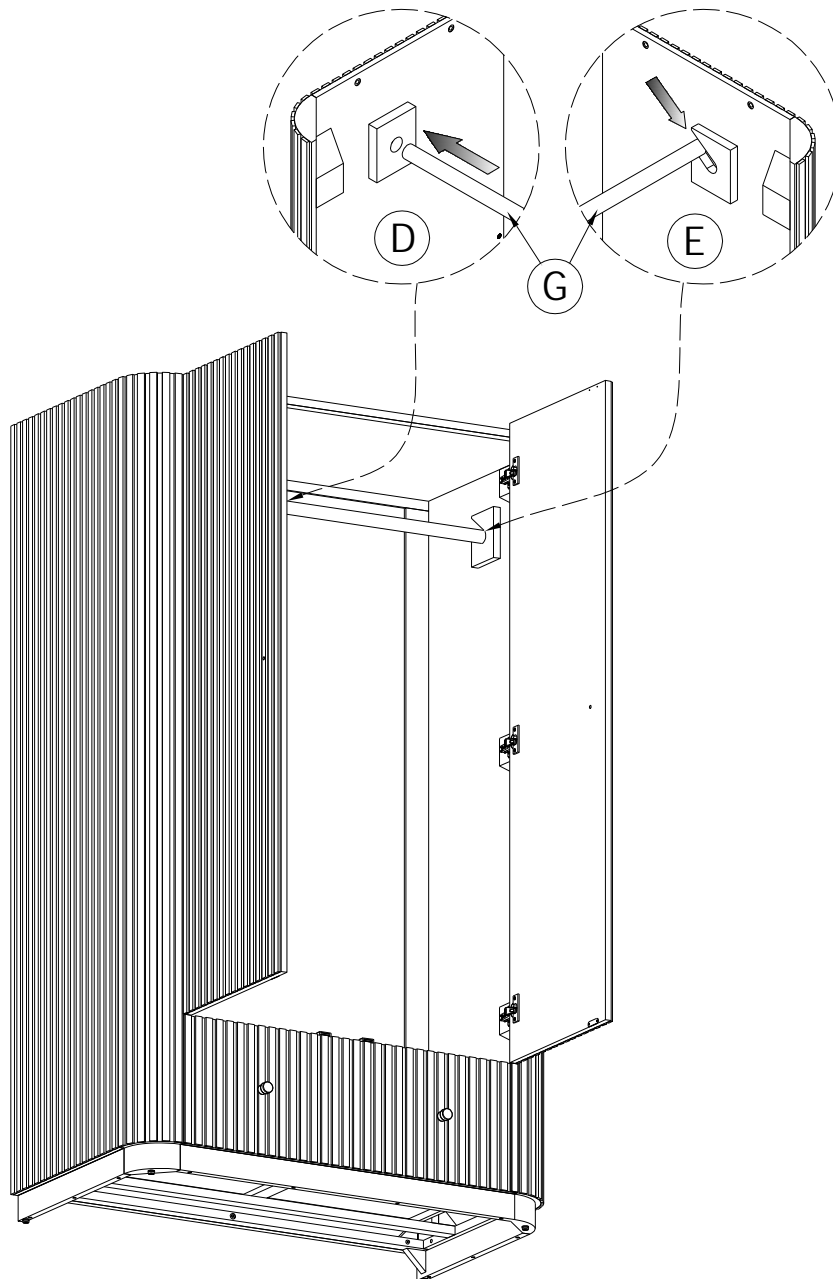
R: Handle & Bolt  
M6x35mm

L: Allen Key

## Jacob Wardrobe

10.

Insert the hanger pole (G) into the hole on side (D) & (E).

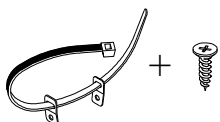
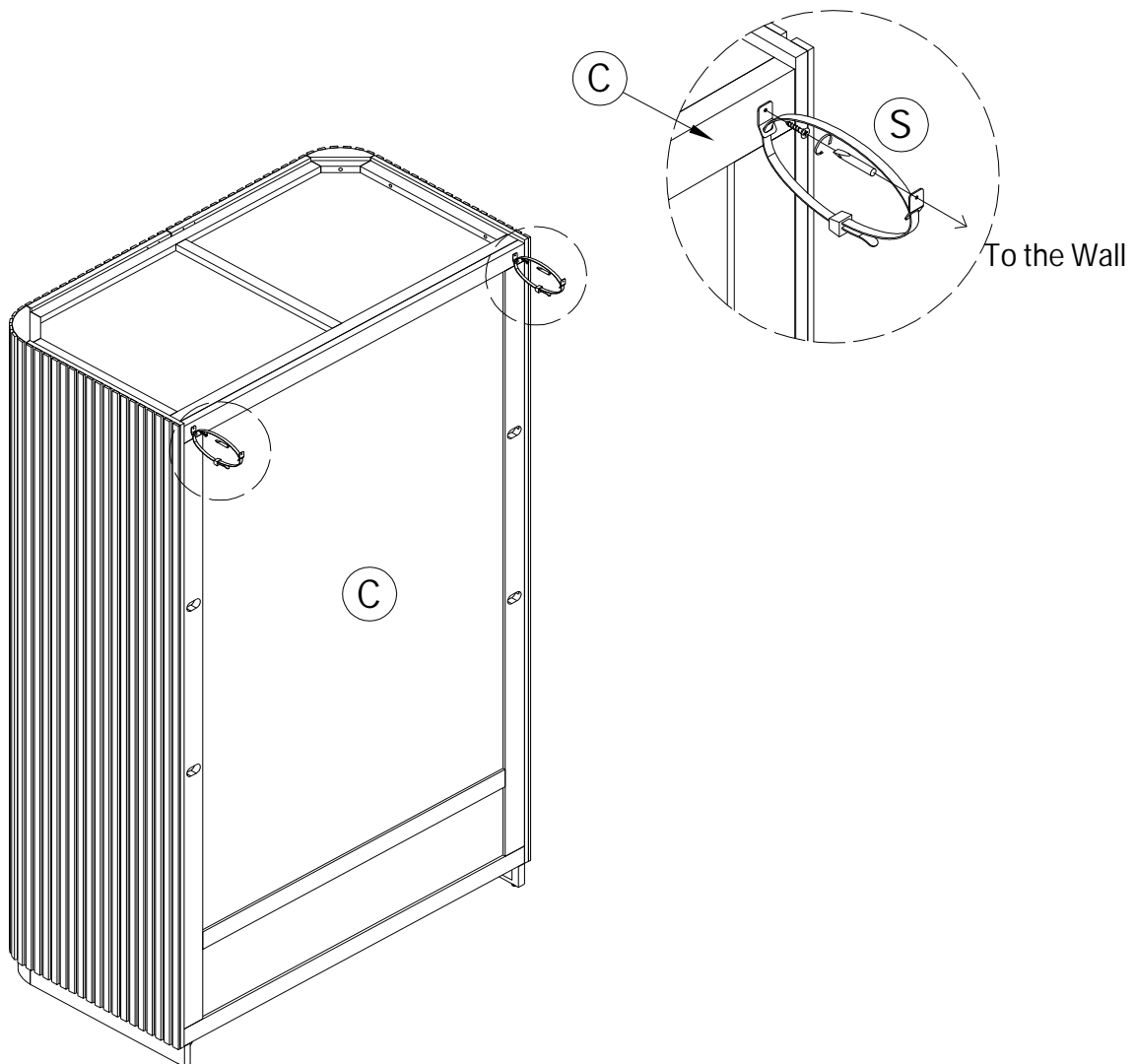


## Jacob Wardrobe

11.

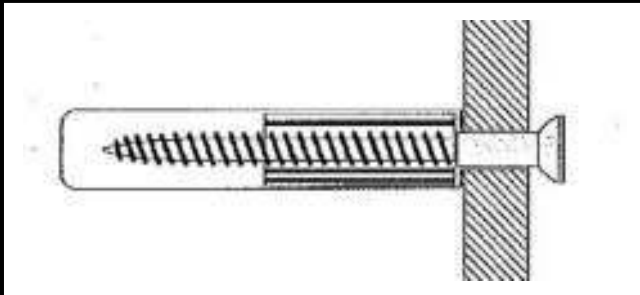
**\*WARNING:** it is strongly recommended that you anchor this product to a wall.

- Attach the anti-tilt straps to the back (C) using the provided screws and bracket. Then secure the straps to the wall through the brackets (wall screws not included).
- As wall materials vary, screws for fixing to the wall are not included. For advice on suitable screw systems, please refer to the guide for wall mounting and fixing on the following page.



S: Wall Fixing


# Wall Mounting & Fixings



## Important:

When drilling into walls always check that there are no hidden wires or pipes ect. Make sure that the screws and wall plugs being used are suitable for supporting your unit. Consult a qualified tradesperson if you are unsure.

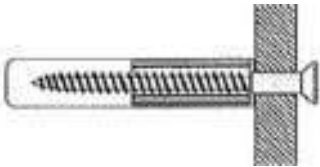
## HINTS:

- 1) General Rule  Always use a larger screw and a wall plug if you are not sure.
- 2) Ensure you use the recommended drill bit to match the wall plug and hole size.
- 3) Ensure you drill the hole horizontally, do not force the drill or enlarge the hole.
- 4) Take extra care when drilling high walls, ceilings and ceramic tiles. Ensure the plug is fitting below the ceramic tile to avoid splitting or cracking.
- 5) Ensure wall plugs are well fitted and are a tight fit in the drilled hole.

## Types of walls

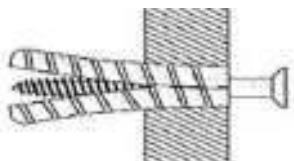
You can use one of the following types of wall plug if your walls are made of brick, breeze block, concrete, stone, wood or plaster board.

### No. 1 "Standard" Wall Plug General Wall Materials.



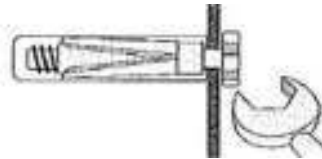
These come in various sizes and are made from plastic or sometimes wood fiber.

### No. 2 "General Purpose" Wall Plug Aerated/Breeze Block.



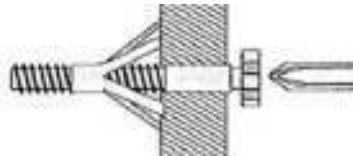
General aerated blocks should not be used to support heavy loads, use a specialist fitting in this case. For light loads, a General Purpose Plug can be used.

### No. 3 "Shield Anchor" Wall Plug Heavy loads.



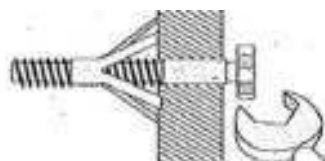
For use with heavier loads such as TV & HiFi Speakers and Satellite Dishes etc.

### No. 4 "Cavity Fixing" Wall Plug.



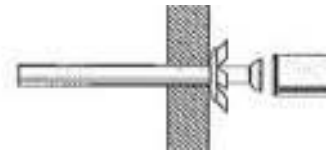
For use with plaster board partitions or hollow wooden doors.

### No. 5 "Cavity Fixing Heavy Duty" Wall Plug.



For use when fitting or supporting heavy loads such as shelving, wall cabinets, coat racks.

### No. 6 "Hammer Fixing" Wall plug.



For use with walls stuck with plaster board. The hammer fixing allows it to be fixed to the wall rather than the plaster board. Always check the fixing is secure to the retaining wall.

## Care & Maintenance



SAFETY

Always check the fitting and location to ensure your safety in and around the home.

## Care & Maintenance



FITTING

From time to time check the fitting to ensure the wall plugs or screws do not become loose.