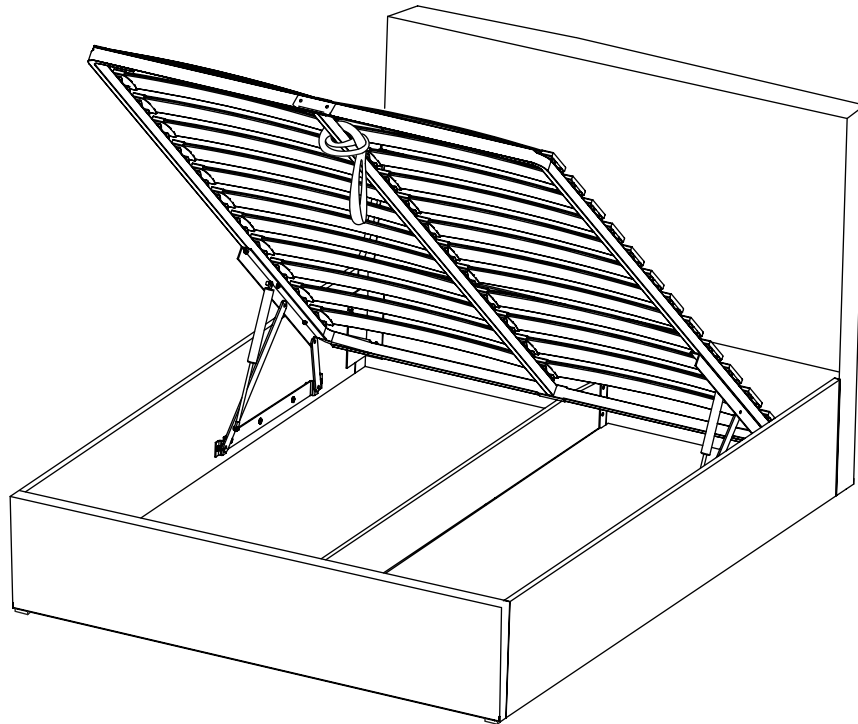


Assembly tool and instructions

Bedrooms by feather & black



Step By Step Assembly Instructions

Pre-assembly Preparation

PLEASE READ these instructions fully prior to assembly to familiarise yourself with the various stages of construction. Carefully open all packs supplied and check the contents against the parts and fittings check list.

Do not destroy any of the packaging until you are certain that you have all the necessary parts for the assembly. This product is **HEAVY**, it should be assembled as near as possible to the point of use.

Take care when lifting to avoid personal injury and (or) damage to the product.

This product takes approximately 60 minutes to assemble by a minimum of **two people**.

Please ensure that the packaging is disposed of in a safe environmentally friendly way.

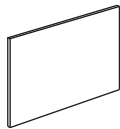
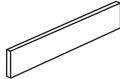
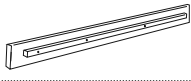

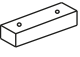
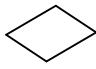
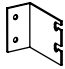
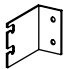

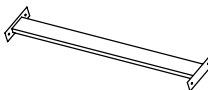
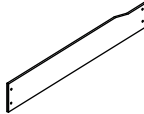

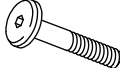



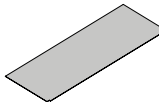



There are small components used in the construction of this bed as well as plastic foil packaging, these should be kept away from young children whilst assembling your bed.




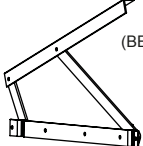
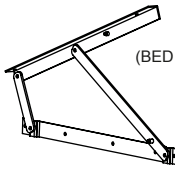
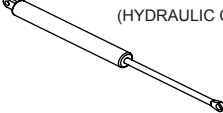
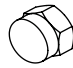
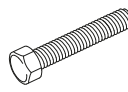

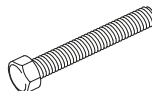
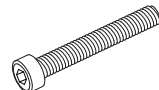




This product is not a toy, it contains moving parts and as such children should be supervised at all times when using the mechanism.

Do not climb or stand inside the storage compartment and ensure that the area is clear before operating the mechanism. (Do not operate the mechanism with anybody on the bed)

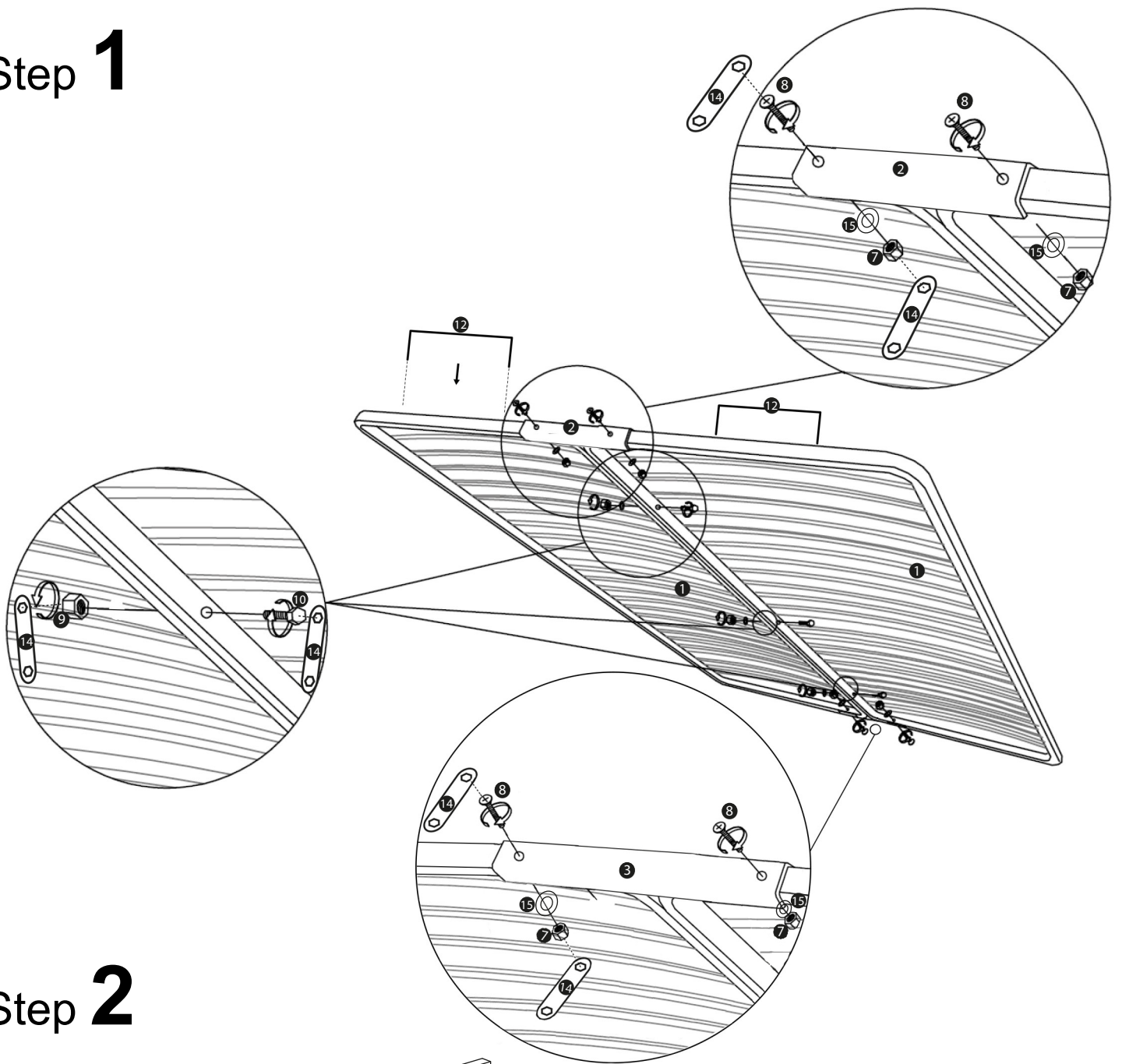
The locking strap **must** always be attached before moving or turning your mattress (see separate instructions). Do not attempt to operate/close the mechanism without a mattress in place.

This product needs a PH2 phillips head screwdriver to complete the assembly.

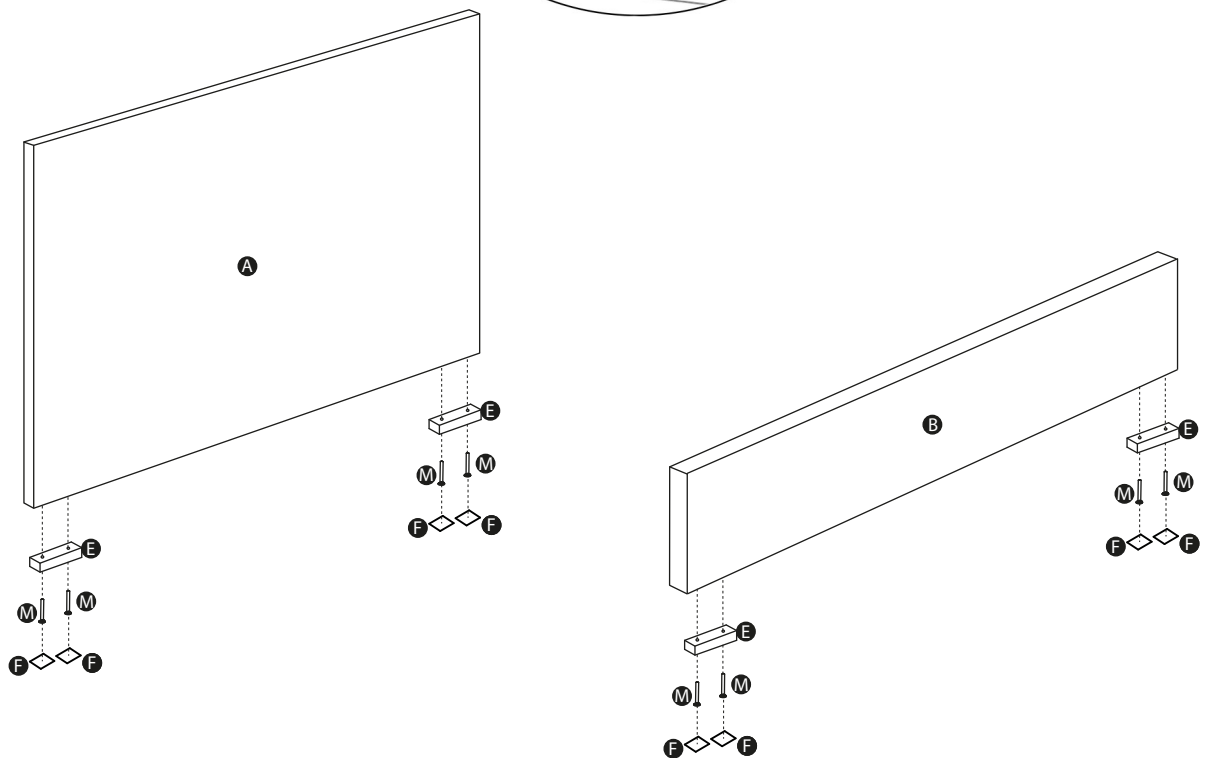
	Parts	QTY
A		x1
B		x1
C		x1
D		x1
E	 (LEG)	x4
F	 (FELT PAD)	x8
G	 (MOUNTING BRACKET - R)	x2
H	 (MOUNTING BRACKET - L)	x2
I	 (BOLT M6X20)	x10
J	 (SUPPORT)	x4
K	 (SUPPORT)	x1
L	 (BOLT US 4X25)	x16
M	 (BOLT M8X50)	x8
N	 (BOLT M6X15)	x4
O	 (SCREW NE M6)	x4
P	 (BOLT M8X40)	x16
Q	 (BASE BOARD)	x2
R	 (KEY 5B-L)	x1
S	 (KEY 4B-L)	x1
T	 (LOCKING STRAP KIT)	x1

	Parts	QTY
1	 (BED FRAME)	x2
2	 (FRAME LINKING BRACKET)	x1
3	 (FRAME LINKING BRACKET)	x1
4	 (BED MECHANISM - L)	x1
5	 (BED MECHANISM - R)	x1
6	 (HYDRAULIC CYLINDER)	x2
7	 (SCREW M6)	x4
8	 (BOLT M6X30)	x4
9	 (SCREW M8)	x7
10	 (BOLT M8X45)	x3
11	 (BOLT M8X40)	x4
12	 (MATTRESS SUPPORT)	x2
13	 (FABRIC STRAP)	x1
14	 (KEY)	x2
15	 (METAL WASHER)	x4

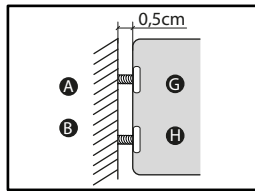
Step 1



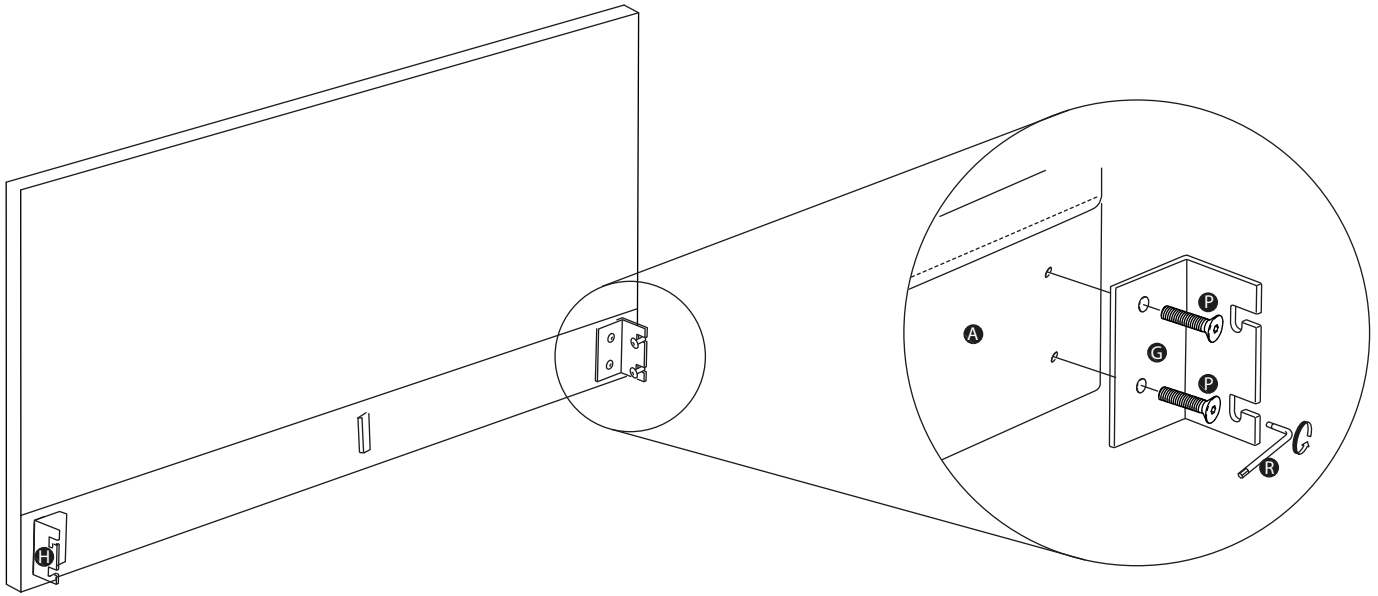
Step 2



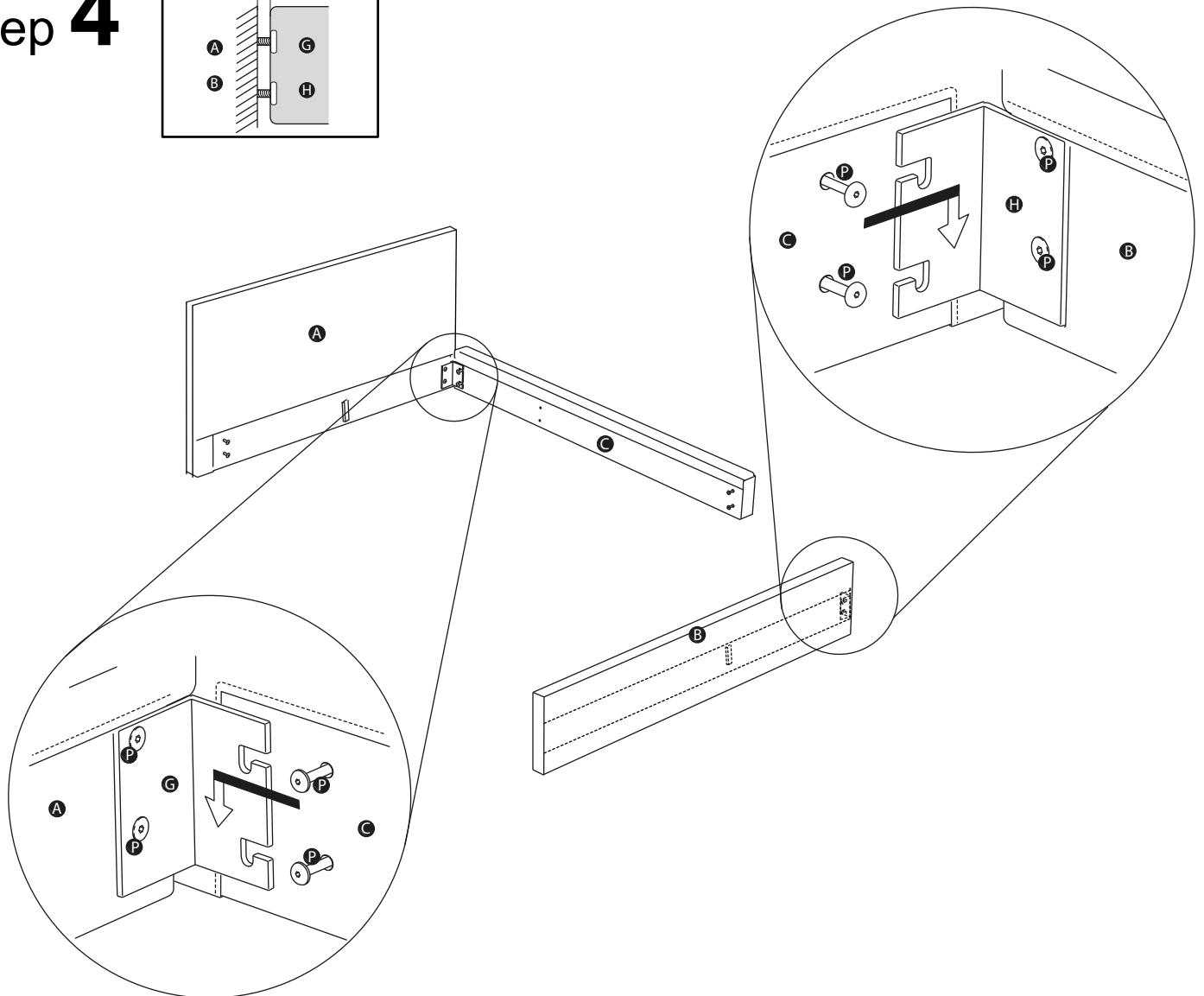
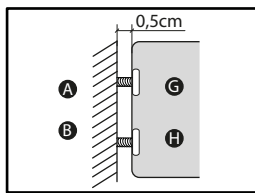
Step 3



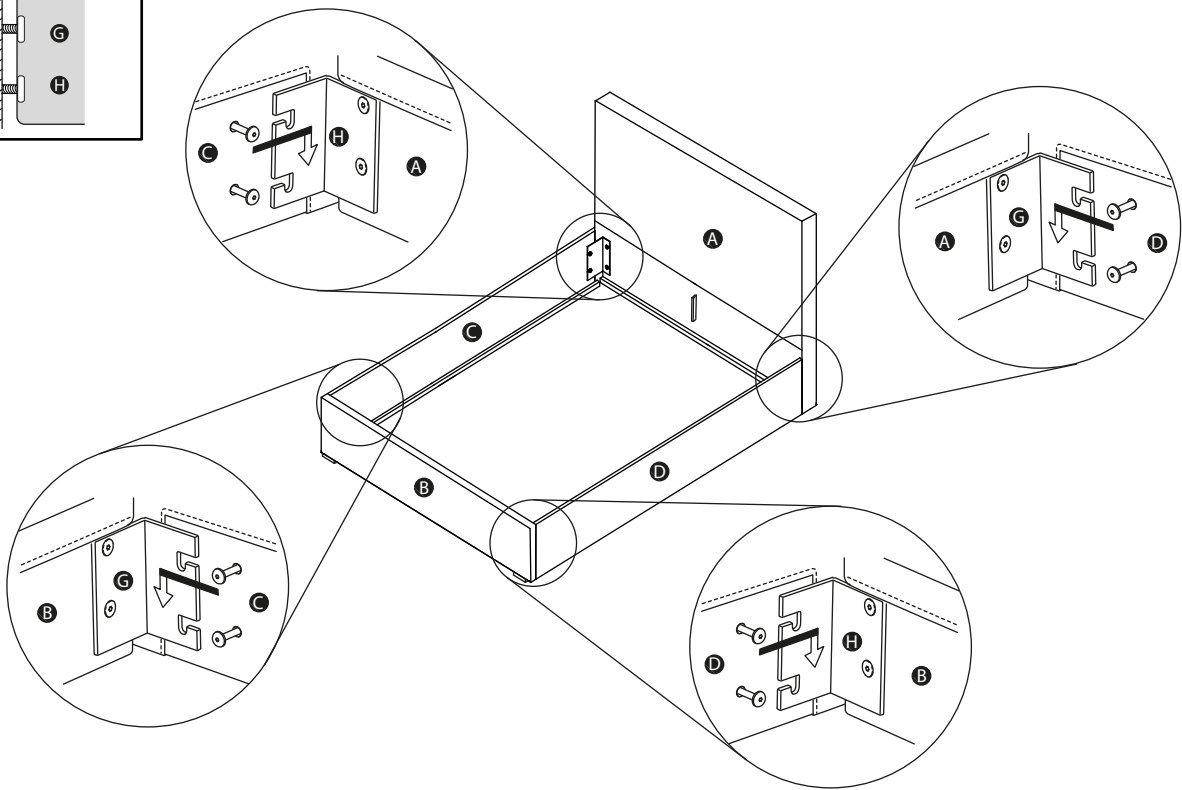
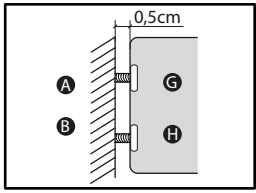
Loosely fix corner brackets with screws.



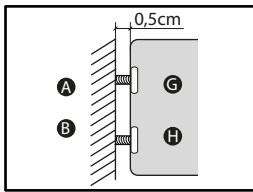
Step 4



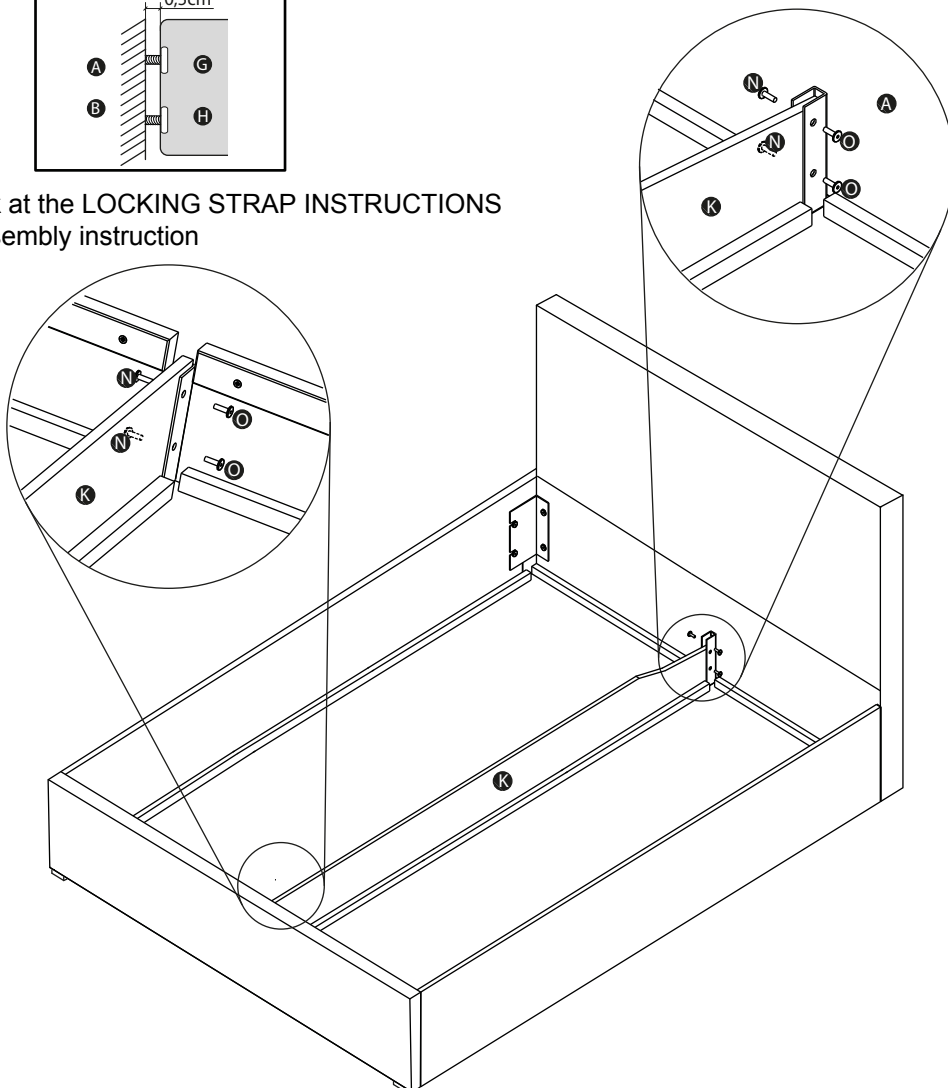
Step 5



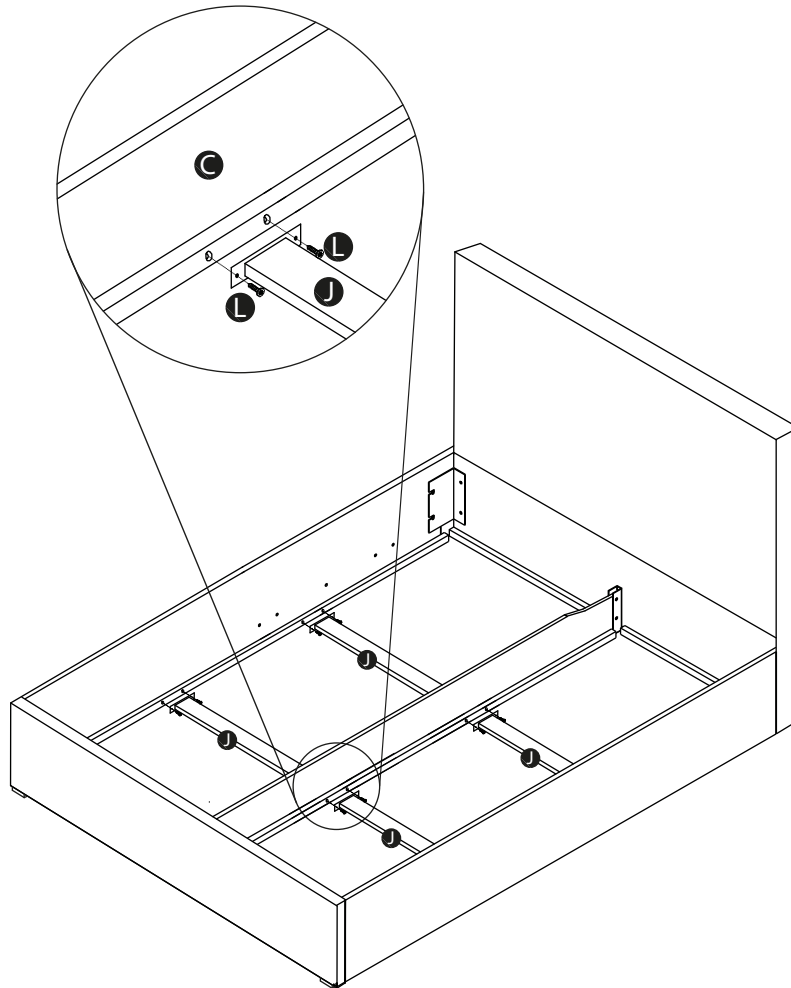
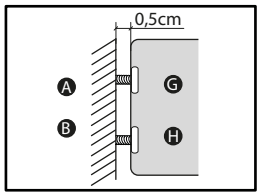
Step 6



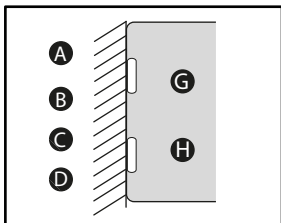
Before this step look at the LOCKING STRAP INSTRUCTIONS at the end of the assembly instruction



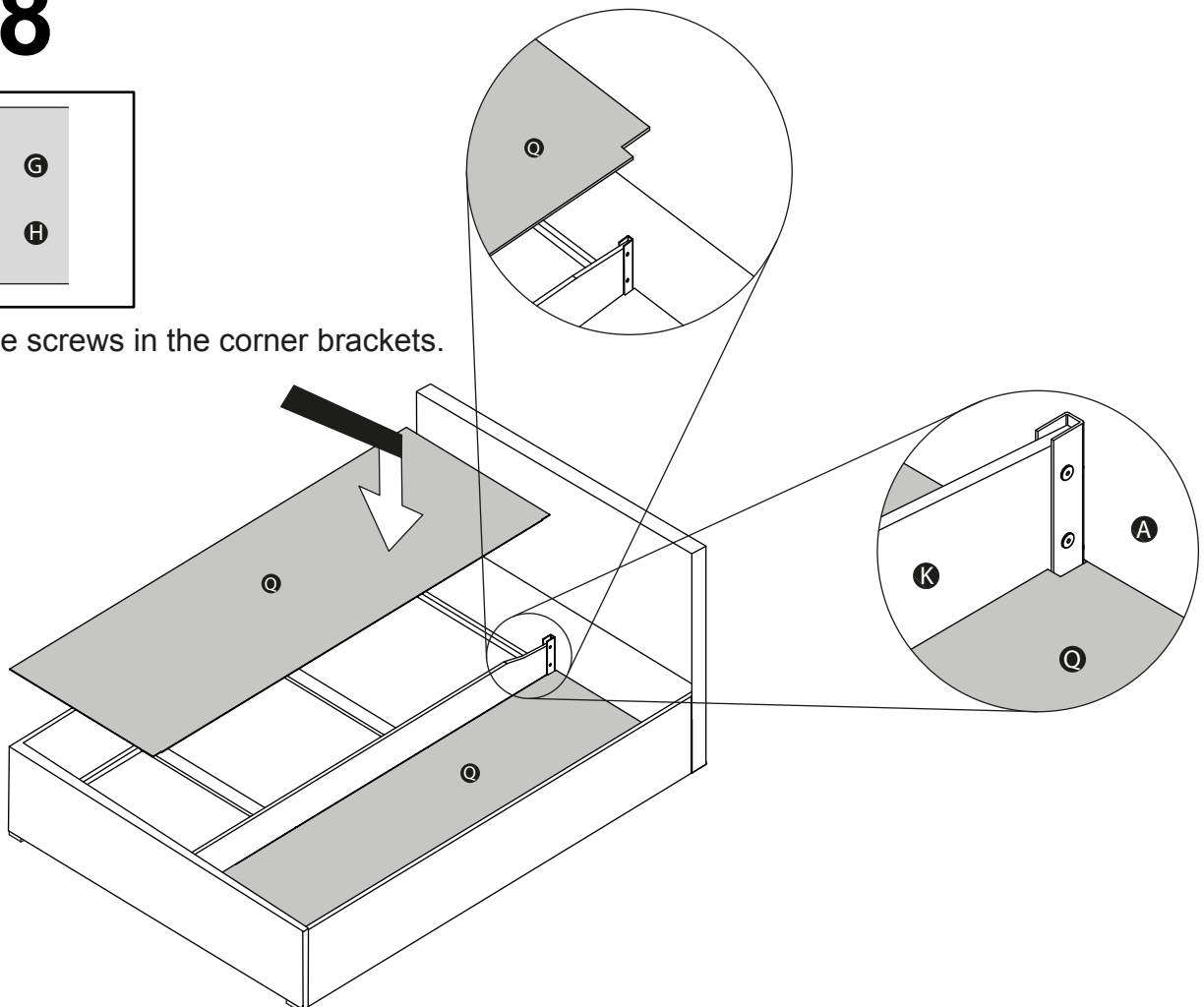
Step 7



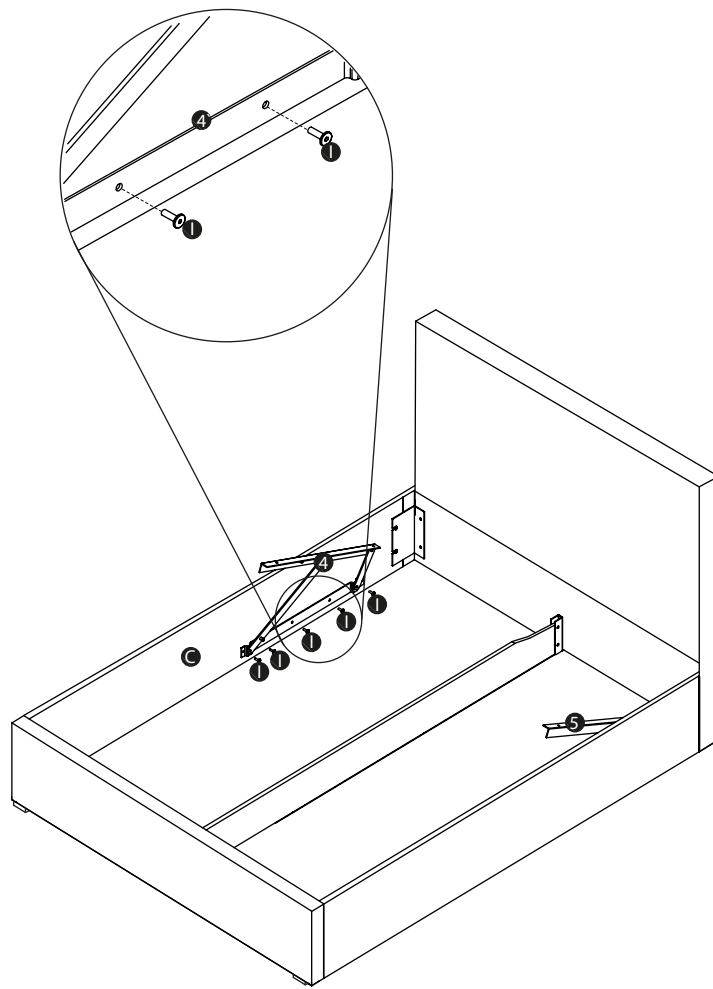
Step 8



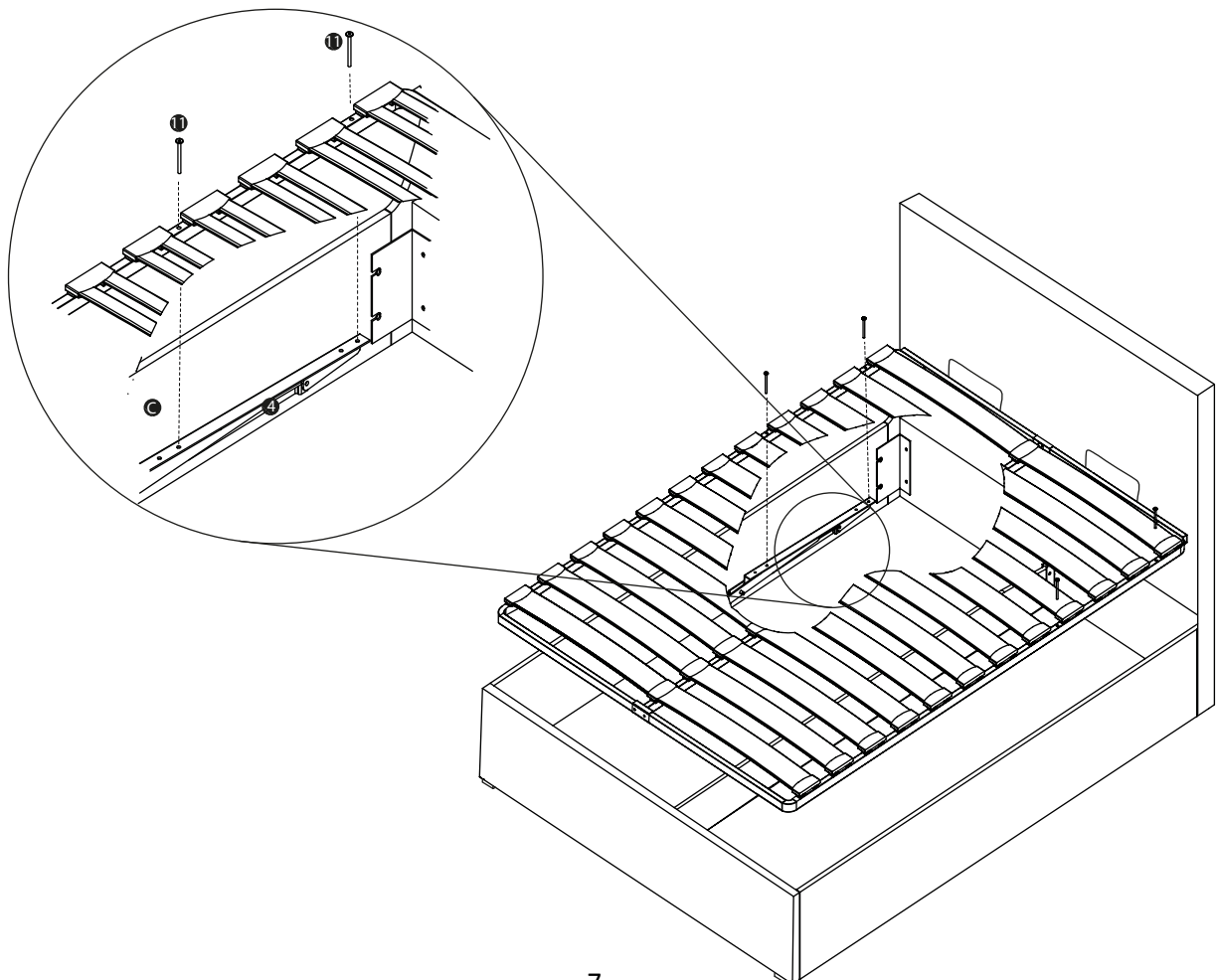
Tighten the screws in the corner brackets.



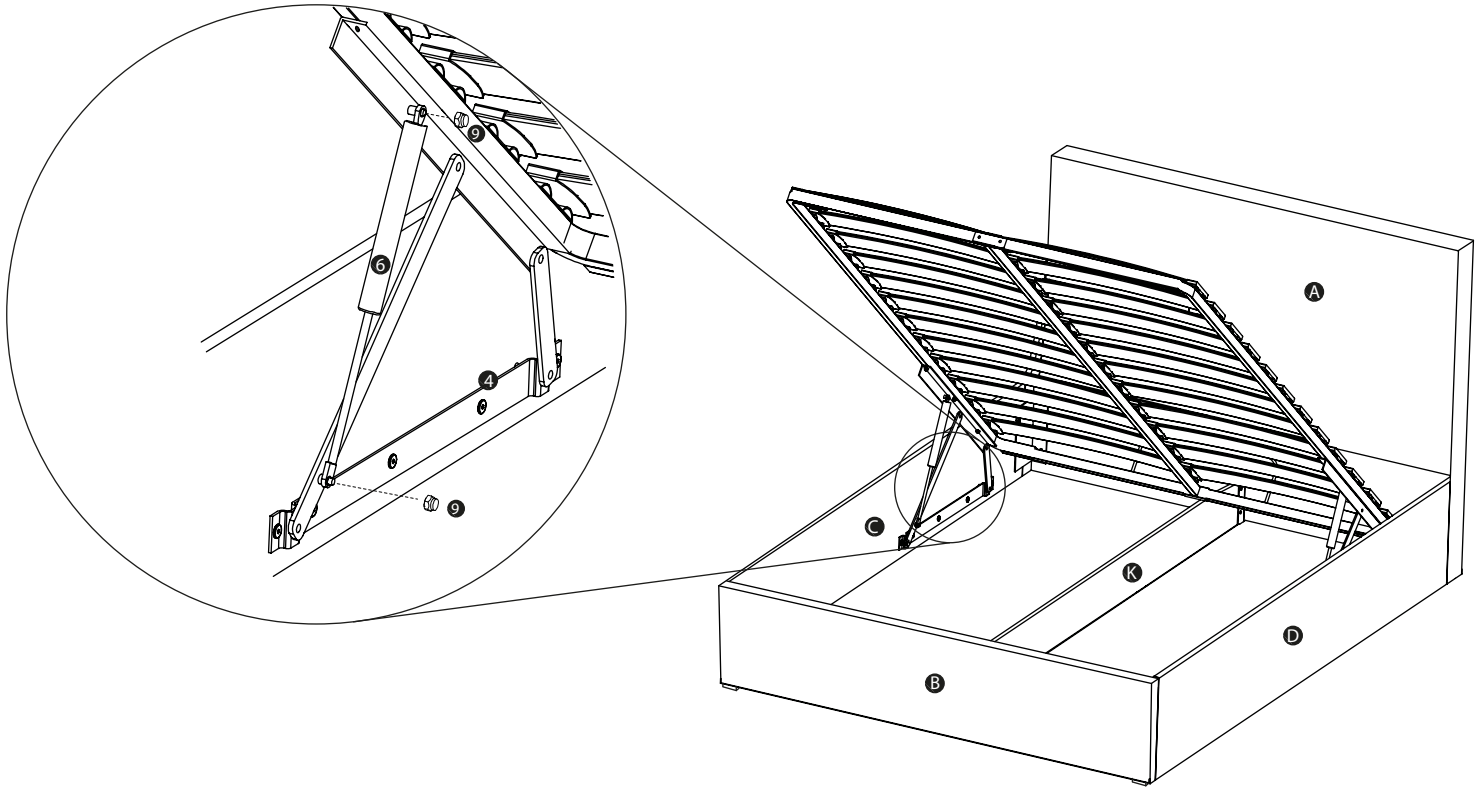
Step 9



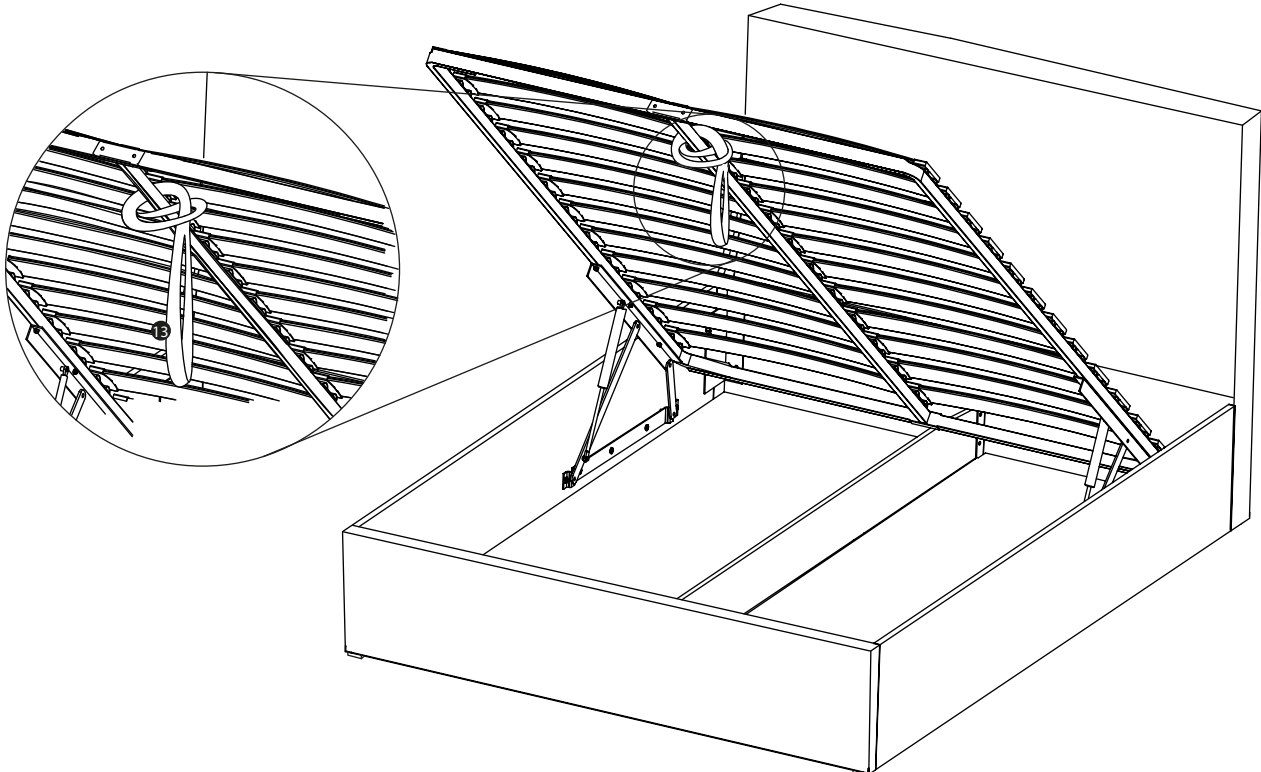
Step 10



Step 11



Step 12



Bedrooms by feather & black

LOCKING STRAP INSTRUCTIONS

Don't attempt to operate/close the mechanism without a mattress in place.

This bed has been designed to lift and support mattresses weighing up to 100kg. In order to achieve this powered gas struts are used to cope with the heavier mattresses.

To assist in putting the mattress on for the first time or whilst turning / rotating the mattress, we have included an additional locking strap to hold the mechanism down towards the closed position. This must always be attached prior to removing or turning the mattress. Below are the instruction for fitting and use.

Components:

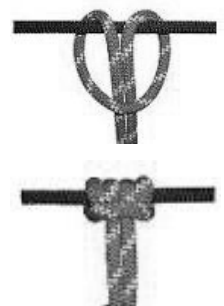


Step 1: During assembly of the bed (Step 5), loop strap 1 over the bracket, pull tight and secure the bolts of the centre support.



Step 2:

Thread loop 2, between the metal frame with slats (Part 1) and the frame linking bracket (Part 2). Wrap loop 2 around metal frame with slats, and pass the end back through the loop and pull tight.

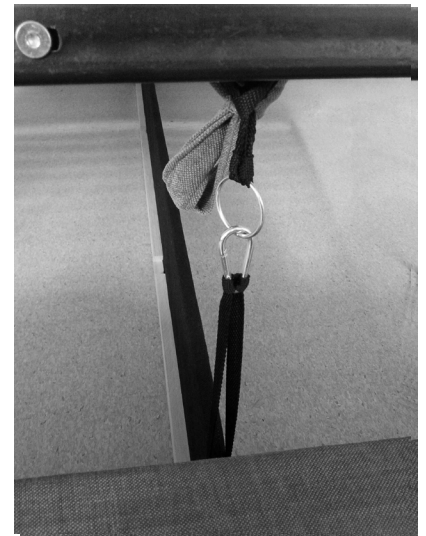
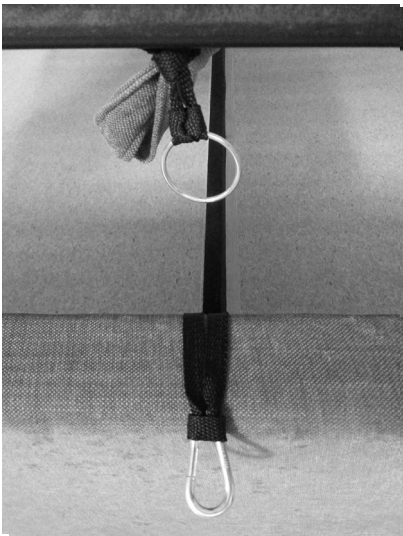


Bedrooms by
feather & black

LOCKING STRAP INSTRUCTIONS

Step 3:

- Carefully lower the mechanism (2 people required)
- One person must hold the mechanism down, whilst the second person attaches the metal clip to loop 2 of the locking strap.
- Carefully raise the mechanism until the strap is tight and mechanism held in position.



Once the mattress is in place on the bed, the mechanism can be closed using the lifting handle (loop 2) ensuring that the metal clip stays outside of the bed. Unclip loop 2 from the metal clip, open the bed and place loop 1 (with metal clip inside the bed).

Please keep these instructions for future reference.