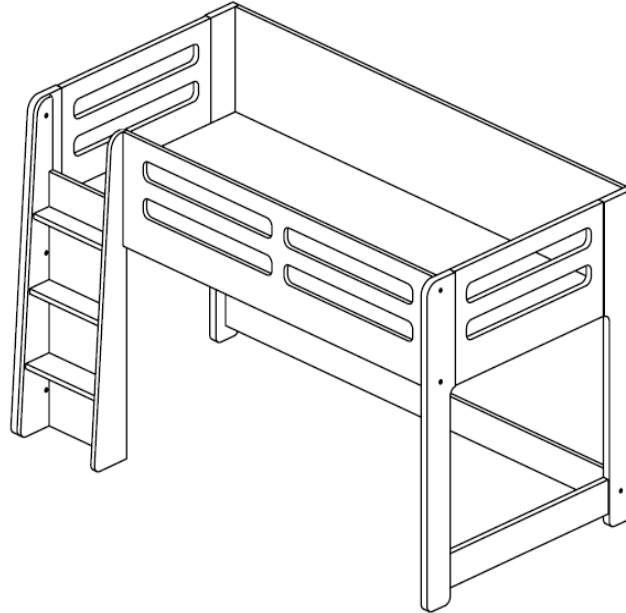


Archie Cabin Bed Assembly Instructions



Important – Please read carefully and retain for future reference

The recommended mattress size for this bed is 900mm x 1900mm, with a maximum thickness of 240mm.

Ventilation of the room is necessary in order to keep the humidity low and to prevent mould from forming in and around the bed.

Do not use the bed if any of the components become broken or damaged.

Please ensure that all fixings are tight before use. You should also periodically tighten all fixings.

WARNING – High beds, such as this, are not suitable for children under six years of age, due to the risk of injury from falling.

WARNING – High beds, such as this, can also present a serious risk of injury from strangulation if not used correctly. Never attach items to or hang items from the bed that are not designed to be used with the beds. Examples of such items include, but are not limited to, ropes, cords, belts and bags.

WARNING – Children can be trapped between the bed and the wall. To avoid the potential risk of serious injury to children, the distance between the top safety barrier and the wall should not exceed 75mm, or should be more than 230mm.

Step-By-Step Assembly Instructions

Pre-Assembly Preparation

Please check the pack contents before attempting to assemble this product. A full checklist of component is given on page 2 of these instructions. If any components are missing, please contact the retailer from whom you bought this product.

This product is heavy, so it should be assembled as near as possible to the point of use. Take care when lifting to avoid personal injury or damage to the product.

This product takes 2 people approximately 45 minutes to assemble.

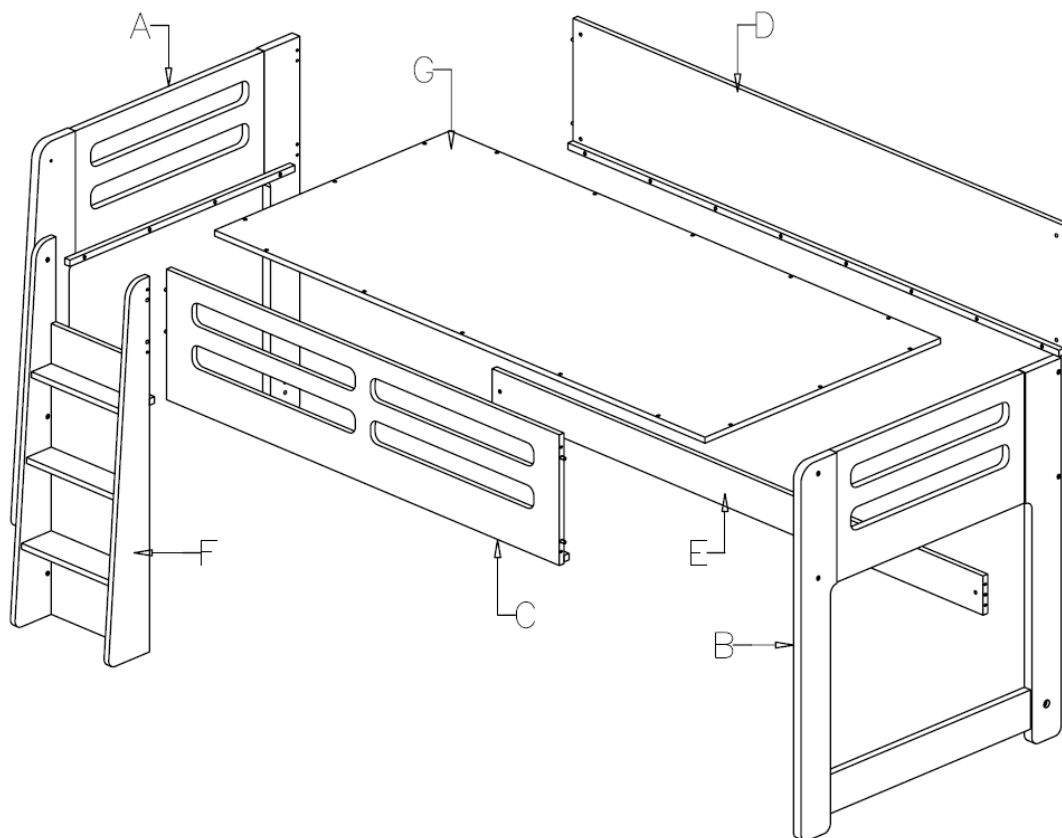
The fittings pack contains small items, which should be kept away from young children.

The screws can be quite sharp, so please handle with care.






Read these instructions in full before commencing assembly.

You will require an Allen key (provided) and a crosshead screwdriver (not provided) to assemble this product.

Once assembled, please double-check all fixings to ensure that everything is secure.

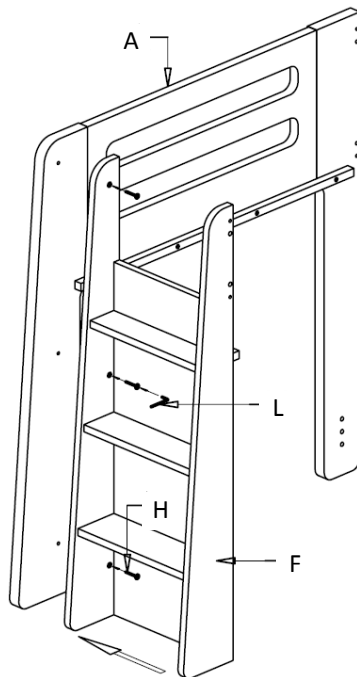


Panel and Fittings Identification

Item	Description	Quantity
A	Head End	1
B	Foot End	1
C	Short Side Rail	1
D	Upper Side Rail	1
E	Lower Side Rail	1
F	Ladder	1
G	Bed Base	1
H	 Ø6 x 35mm	3
I	 Ø6 x 60mm	10
J	 Ø10 x 12mm	10
K	 Ø3.5 x 30mm	16
L	 Allen Key	1

Step 1

Bolt the head end (A) to the ladder (F) using the short bolts (H) and the Allen key (L).

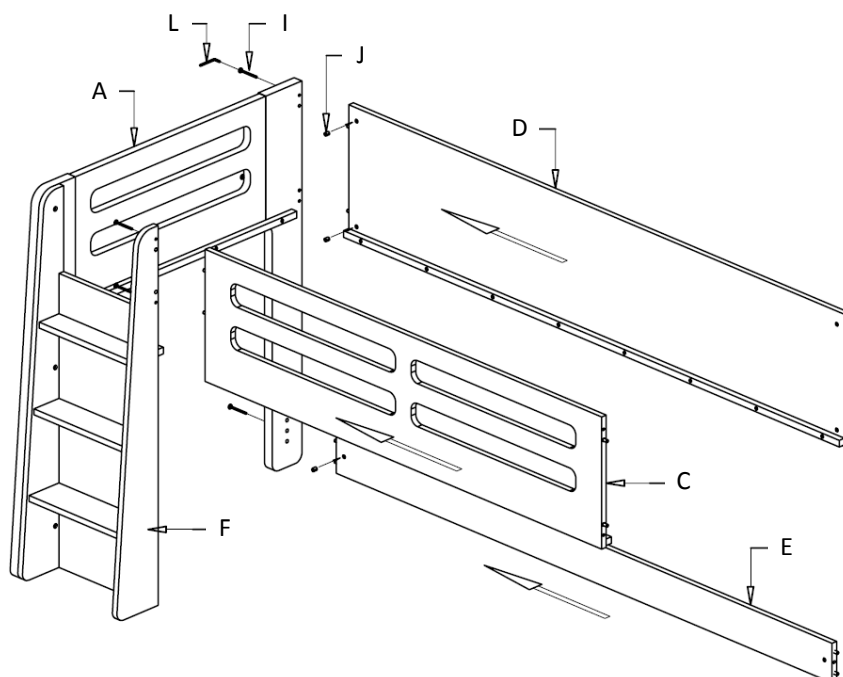


Step 2

Insert the cams (J) into the three side rails (C, D, E), lining up the threaded hole horizontally.

Attach the three side rails (C, D, E) to the head end (A) using the dowels that are attached to the side rails.

Insert the long bolts (I) through the head end (A) into the three side rails (C, D, E) and tighten with the Allen key (L).

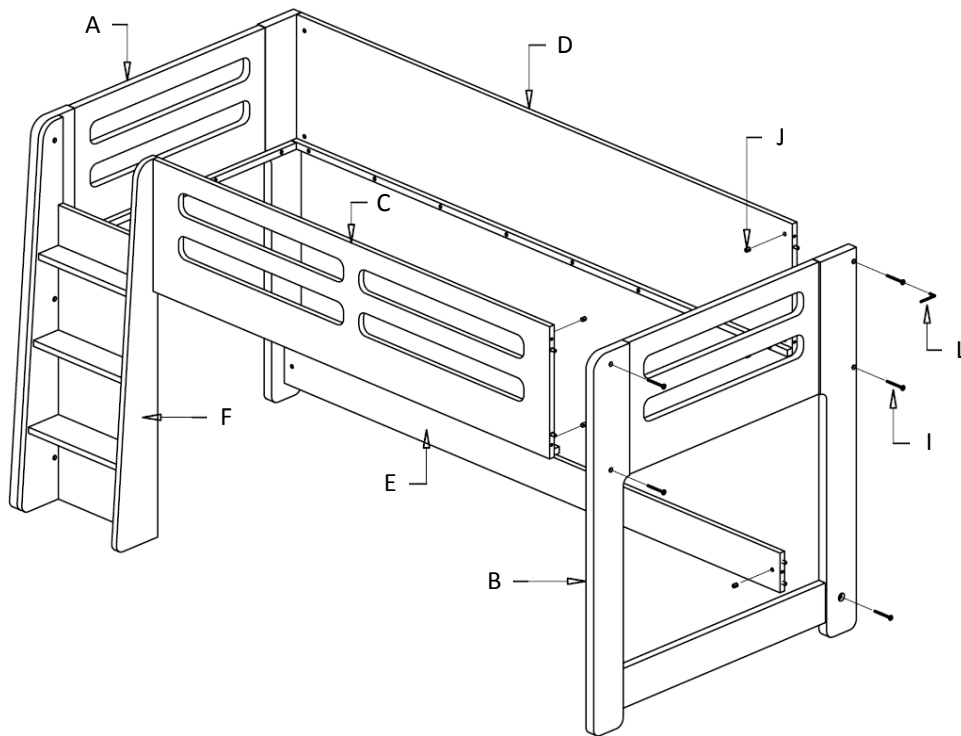
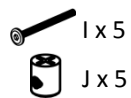


Step 3

Insert the cams (J) into the three side rails (C, D, E), lining up the threaded hole horizontally.

Attach the three side rails (C, D, E) to the foot end (B) using the dowels that are attached to the side rails.

Insert the long bolts (I) through the foot end (B) into the three side rails (C, D, E) and tighten with the Allen key (L).



Step 4

Place the bed base (G) inside the frame, onto the support rails.

Using a crosshead screwdriver and the screws (K), fix the bed base securely to the support rails.

Please ensure that all fixings are tight.

